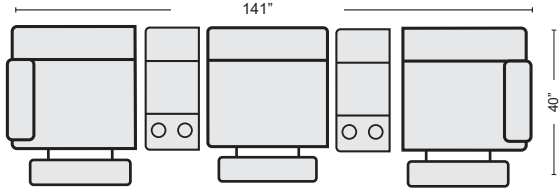


First Name: \_\_\_\_\_ Last Name: \_\_\_\_\_

Guest Signature: \_\_\_\_\_ Date: \_\_\_\_\_

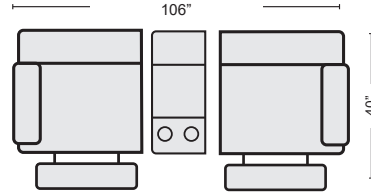
Sales Person Name: \_\_\_\_\_

Sale Order Number: \_\_\_\_\_



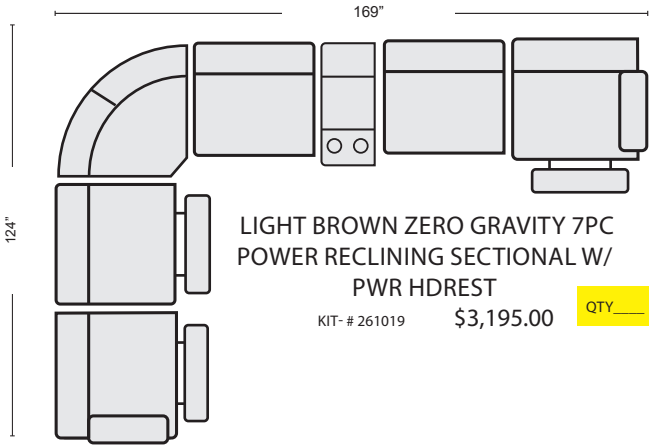
**LIGHT BROWN ZERO GRAVITY 5 PC HOME THEATER PWR RCLN SOFA W/PWR HDREST**

KIT- # 267888 \$2,300.00 QTY\_\_\_



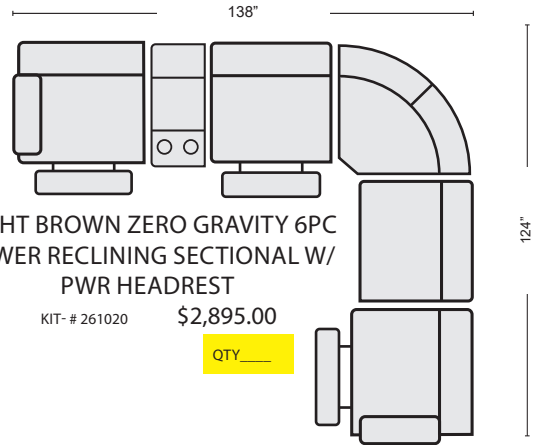
**LIGHT BROWN 3 PC POWER RECLINING CONSOLE LOVESEAT W/ POWER HEADREST**

KIT- # 267887 \$1,490.00 QTY\_\_\_



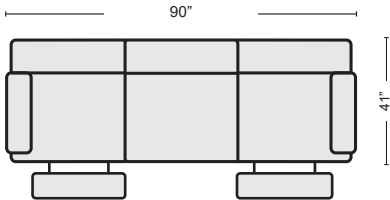
**LIGHT BROWN ZERO GRAVITY 7PC POWER RECLINING SECTIONAL W/ PWR HDREST**

KIT- # 261019 \$3,195.00 QTY\_\_\_



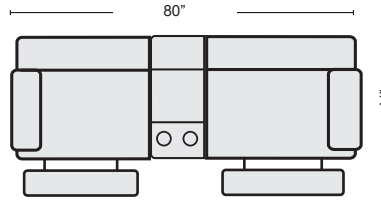
**LIGHT BROWN ZERO GRAVITY 6PC POWER RECLINING SECTIONAL W/ PWR HEADREST**

KIT- # 261020 \$2,895.00 QTY\_\_\_



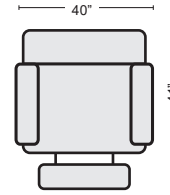
**GREY ZERO GRAVITY POWER RECLINING SOFA WITH POWER HEADREST**

#261585 \$995.00 QTY\_\_\_



**GREY ZERO GRAVITY PWR RECLINING CONSOLE LOVESEAT W/POWER HEA**

#261586 \$995.00 QTY\_\_\_

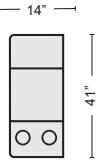


**GREY ZERO GRAVITY POWER RECLINER WITH POWER HEADREST**

#261588 \$595.00 QTY\_\_\_

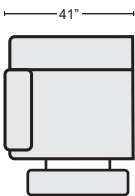
**LIGHT BROWN ZERO GRAVITY POWER RECLINER W/PWR HEADREST**

#261587 \$795.00 QTY\_\_\_



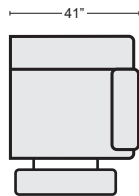
**LIGHT BROWN CONSOLE**

#261024 \$230.00 QTY\_\_\_



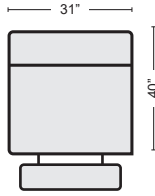
**LIGHT BROWN ZERO GRAVITY POWER LAF RECLINER WITH POWER HEADRES**

#261021 \$630.00 QTY\_\_\_



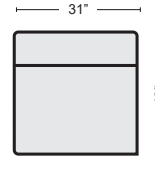
**LIGHT BROWN ZERO GRAVITY POWER RAF RECLINER WITH POWER HEADRES**

#261022 \$630.00 QTY\_\_\_



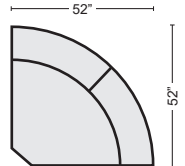
**LIGHT BROWN ZERO GRAVITY POWER ARMLESS RECLINER WITH POWER HEA**

#261023 \$580.00 QTY\_\_\_



**LIGHT BROWN ARMLESS CHAIR**

#261025 \$300.00 QTY\_\_\_



**LIGHT BROWN CORNER WEDGE**

#261026 \$525.00 QTY\_\_\_

\* ALL SECTIONAL PIECES WILL SHIP WITH BRACKETS. SECTIONAL PIECES CANNOT BE REQUESTED TO BE MADE WITHOUT BRACKETS.