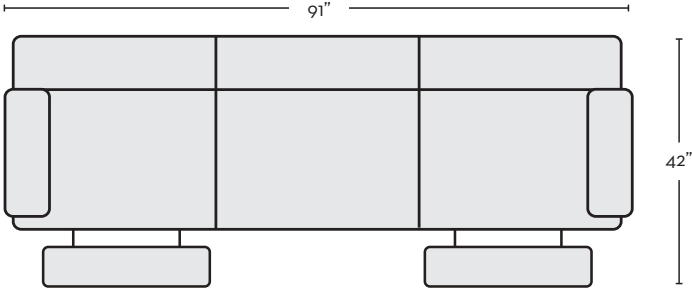


First Name: _____ Last Name: _____

Customer Signature: _____ Date: _____

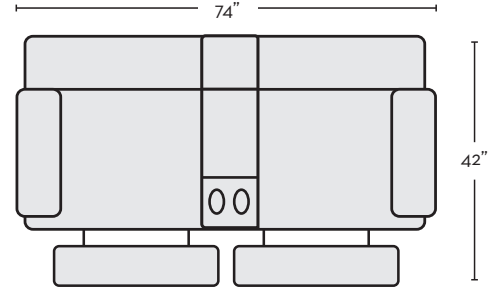
Sales Person Name: _____

Sale Order Number: _____



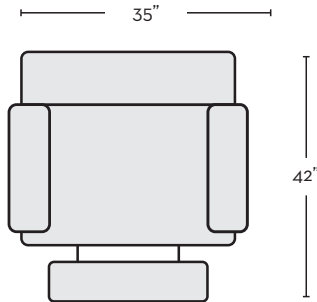
LEATHER ZERO GRAVITY RECLINING SOFA WITH
POWER HEADREST, POWER LUMBAR & USB
#324001 \$2,195.00

QTY__



LEATHER ZERO GRAVITY RECLINING CONSOLE LOVESEAT
WITH POWER HEADREST, POWER LUMBAR & USB
#324002 \$2,195.00

QTY__



LEATHER ZERO GRAVITY RECLINER WITH POWER
HEADREST, POWER LUMBAR & USB
#324003 \$1,395.00

QTY__