



# TAREN II COLLECTION

Sales Order: \_\_\_\_\_

**\*LAST UPDATED 02/28/19**

First Name: \_\_\_\_\_ Last Name: \_\_\_\_\_

Address: \_\_\_\_\_

City: \_\_\_\_\_ State: \_\_\_\_\_ Zip: \_\_\_\_\_

Phone Number: \_\_\_\_\_

Email Address: \_\_\_\_\_

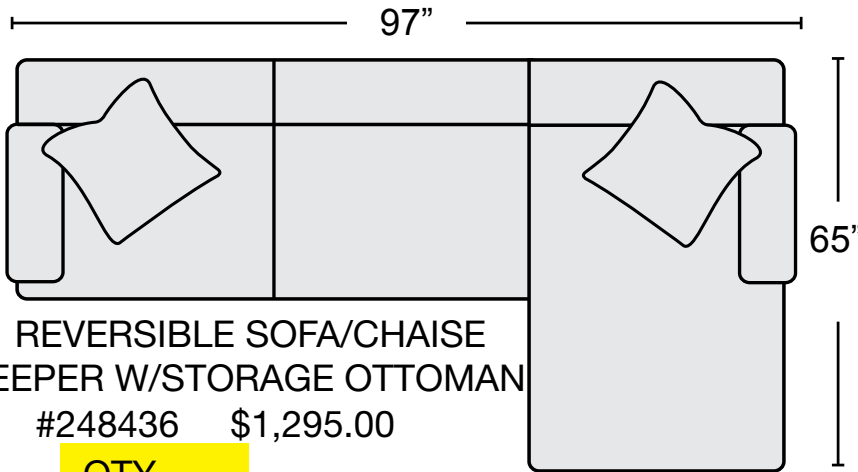
Guest Signature: \_\_\_\_\_ Date: \_\_\_\_\_

Sales Person Name: \_\_\_\_\_

**FABRIC OPTIONS**

**TOSS PILLOW OPTION**

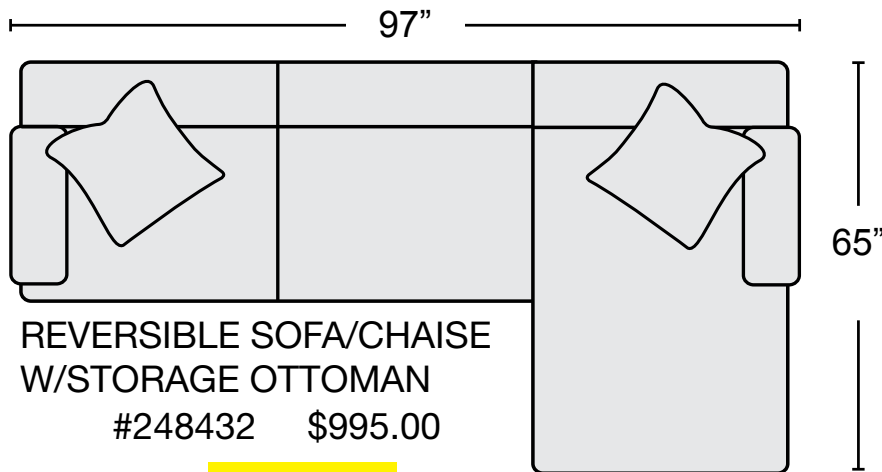
\* ALL SECTIONAL PIECES WILL SHIP WITH BRACKETS.  
SECTIONAL PIECES CANNOT BE REQUESTED TO BE MADE WITHOUT BRACKETS.\*



**REVERSIBLE SOFA/CHAISE  
SLEEPER W/STORAGE OTTOMAN**

#248436 \$1,295.00

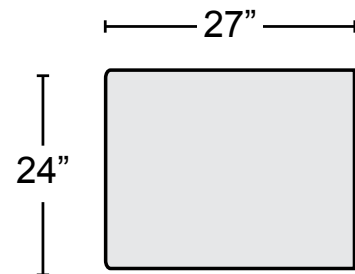
**QTY** \_\_\_\_\_



**REVERSIBLE SOFA/CHAISE  
W/STORAGE OTTOMAN**

#248432 \$995.00

**QTY** \_\_\_\_\_



**EXTRA SEAT CUSHION**

#248433 \$150.00

**QTY** \_\_\_\_\_