

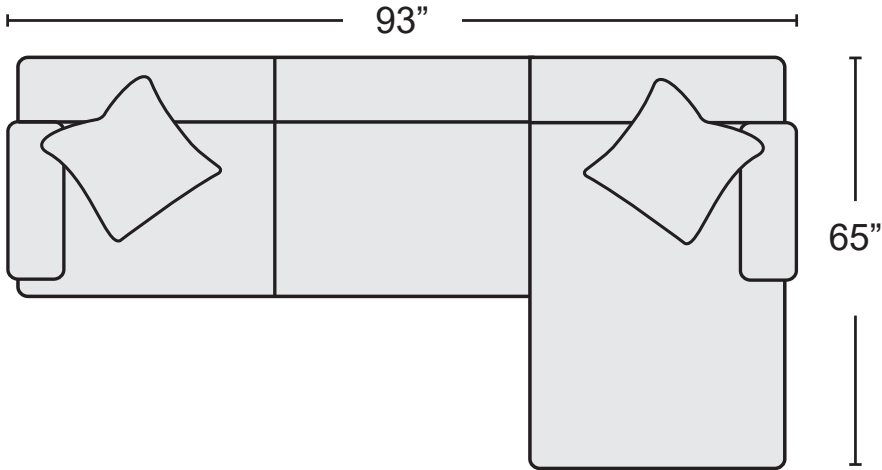
\*LAST UPDATED 09/15/23

First Name: \_\_\_\_\_ Last Name: \_\_\_\_\_

Guest Signature: \_\_\_\_\_ Date: \_\_\_\_\_

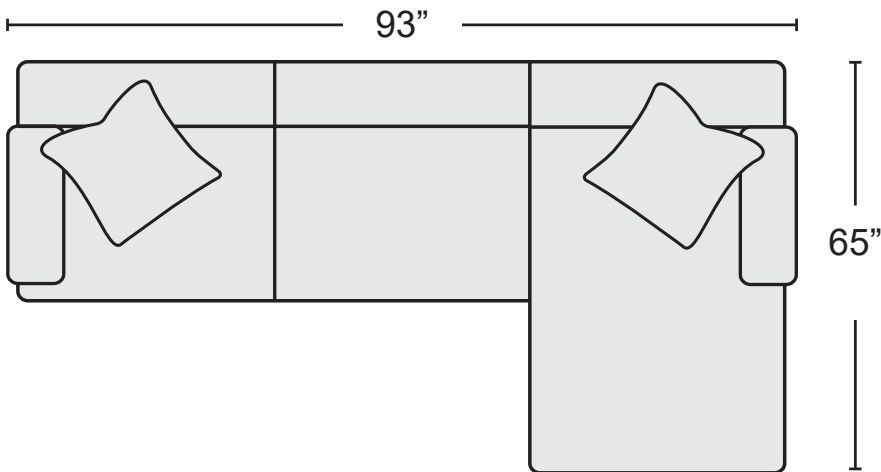
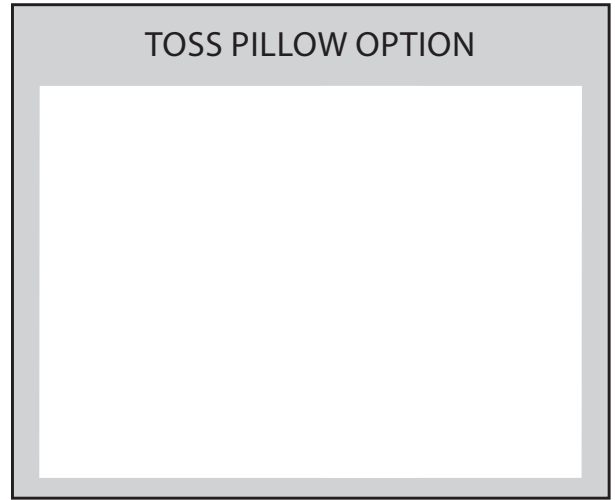
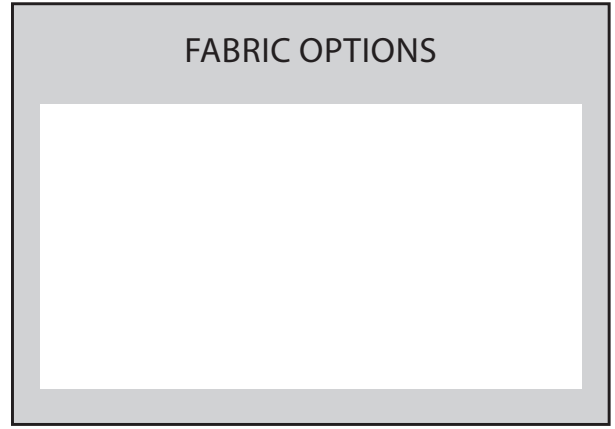
Sales Person Name: \_\_\_\_\_

Sale Order Number: \_\_\_\_\_



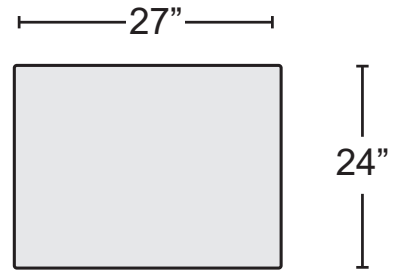
REVERSIBLE SOFA/CHAISE SLEEPER  
W/STORAGE OTTOMAN

#326677 \$1,795.00 QTY\_\_\_\_\_



REVERSIBLE SOFA CHAISE WITH STORAGE  
OTTOMAN

#326675 & 326678  
(BOTH SKUS MUST BE USED) \$1,390.00 QTY\_\_\_\_\_



EXTRA CUSHION

#326676 \$300.00

QTY\_\_\_\_\_