

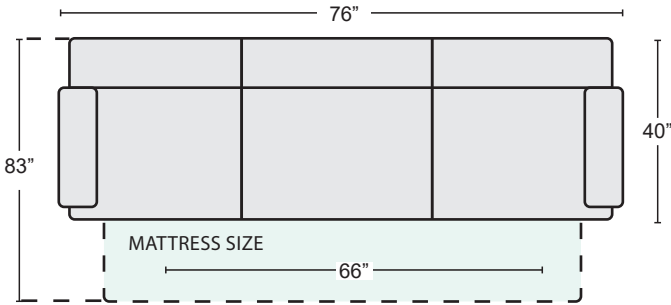
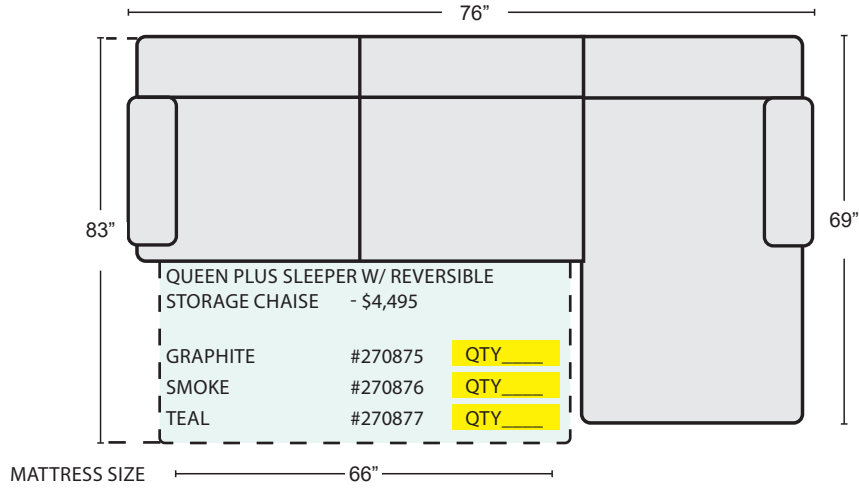
*LAST UPDATED 03/06/23

First Name: _____ Last Name: _____

Customer Signature: _____ Date: _____

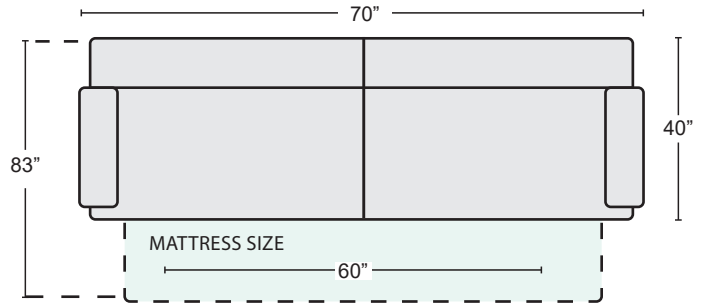
Sales Person Name: _____

Sale Order Number: _____



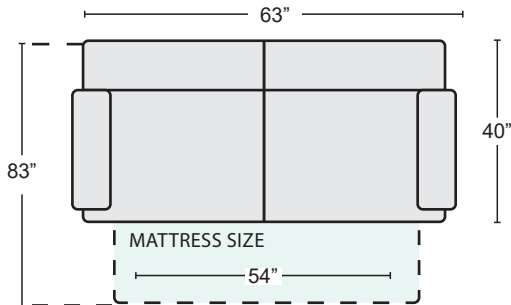
QUEEN-PLUS SOFA SLEEPER - \$3,695

- GRAPHITE #270884 QTY _____
- SMOKE #270885 QTY _____
- TEAL #270886 QTY _____



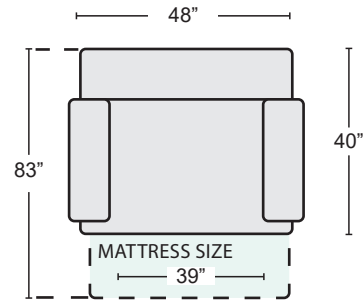
QUEEN SOFA SLEEPER - \$3,295

- GRAPHITE #270881 QTY _____
- SMOKE #270882 QTY _____
- TEAL #270883 QTY _____



FULL SOFA SLEEPER - \$3,195

- GRAPHITE #270878 QTY _____
- SMOKE #270879 QTY _____
- TEAL #270880 QTY _____



TWIN SOFA SLEEPER - \$2,795

- GRAPHITE #270872 QTY _____
- SMOKE #270873 QTY _____
- TEAL #270874 QTY _____