

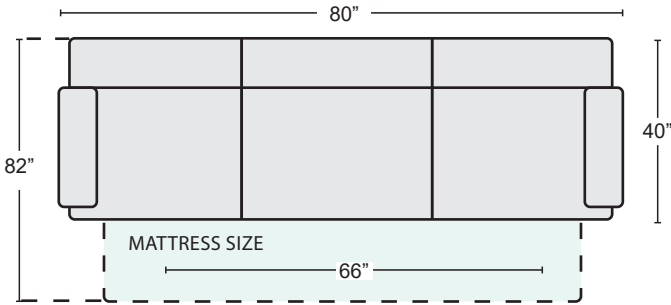
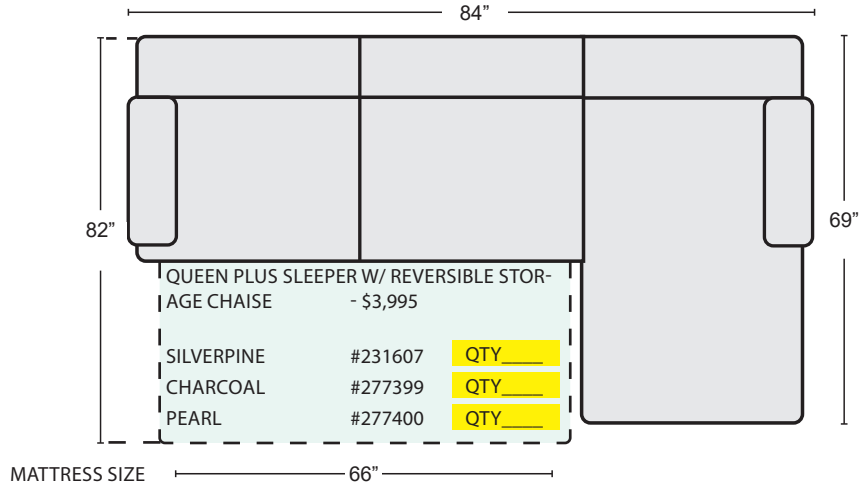
*LAST UPDATED 05/17/21

First Name: _____ Last Name: _____

Customer Signature: _____ Date: _____

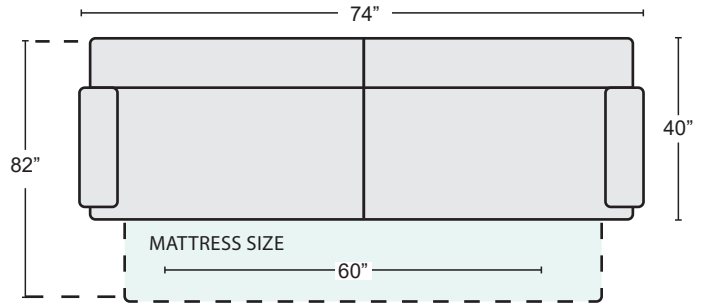
Sales Person Name: _____

Sale Order Number: _____



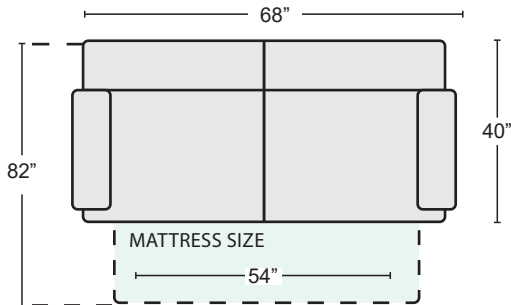
QUEEN-PLUS SOFA SLEEPER - \$3,095

- | | | |
|------------|---------|-----------|
| SILVERPINE | #231602 | QTY _____ |
| CHARCOAL | #249509 | QTY _____ |
| PEARL | #249510 | QTY _____ |



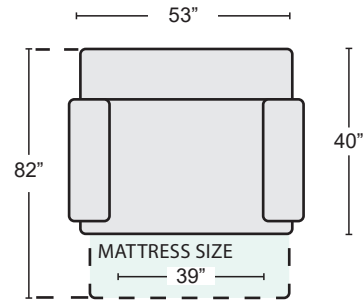
QUEEN SOFA SLEEPER - \$2,895

- | | | |
|------------|---------|-----------|
| SILVERPINE | #99948 | QTY _____ |
| CHARCOAL | #249507 | QTY _____ |
| PEARL | #249508 | QTY _____ |



FULL SOFA SLEEPER - \$2,795

- | | | |
|------------|---------|-----------|
| SILVERPINE | #99946 | QTY _____ |
| CHARCOAL | #249505 | QTY _____ |
| PEARL | #249506 | QTY _____ |



TWIN SOFA SLEEPER - \$2,695

- | | | |
|------------|---------|-----------|
| SILVERPINE | #99945 | QTY _____ |
| CHARCOAL | #249503 | QTY _____ |
| PEARL | #249504 | QTY _____ |