

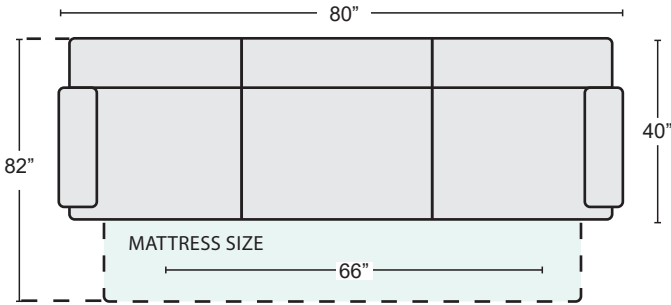
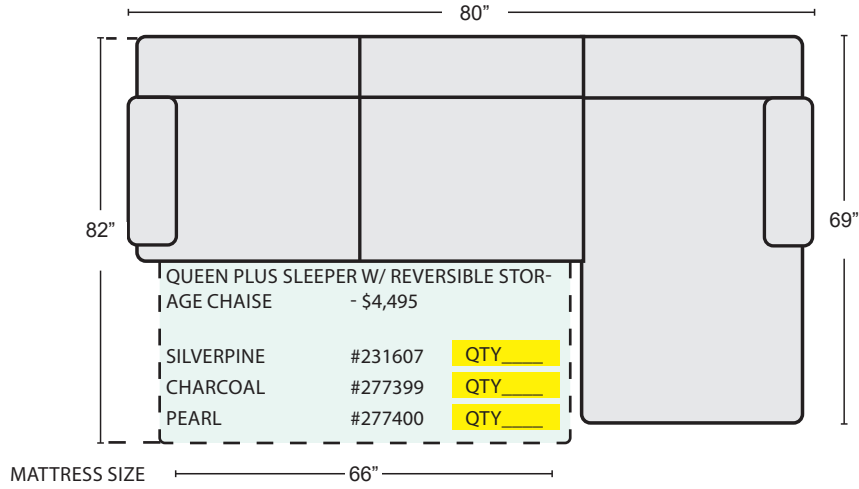
*LAST UPDATED 03/06/23

First Name: _____ Last Name: _____

Customer Signature: _____ Date: _____

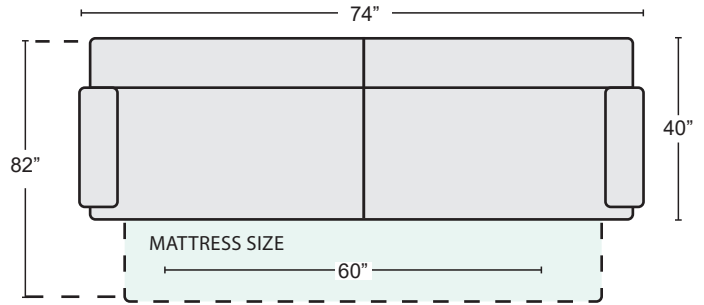
Sales Person Name: _____

Sale Order Number: _____



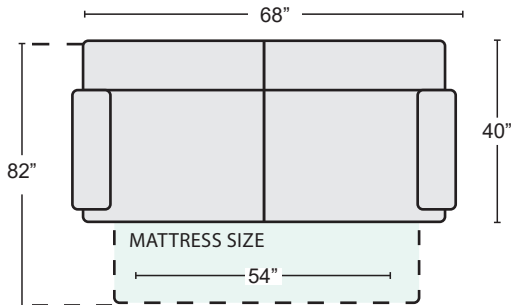
QUEEN-PLUS SOFA SLEEPER - \$3,695

- SILVERPINE #231602 QTY _____
- CHARCOAL #249509 QTY _____
- PEARL #249510 QTY _____



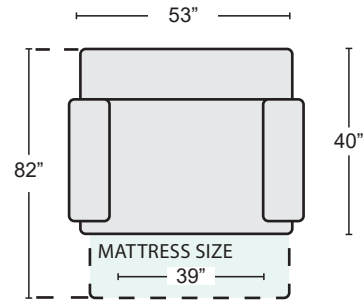
QUEEN SOFA SLEEPER - \$3,295

- SILVERPINE #99948 QTY _____
- CHARCOAL #249507 QTY _____
- PEARL #249508 QTY _____



FULL SOFA SLEEPER - \$3,195

- SILVERPINE #99946 QTY _____
- CHARCOAL #249505 QTY _____
- PEARL #249506 QTY _____



TWIN SOFA SLEEPER - \$2,795

- SILVERPINE #99945 QTY _____
- CHARCOAL #249503 QTY _____
- PEARL #249504 QTY _____