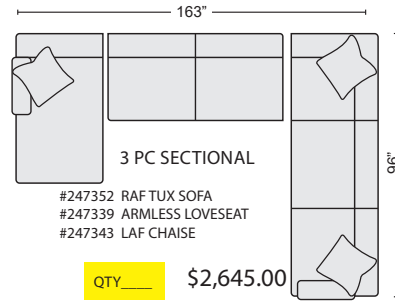
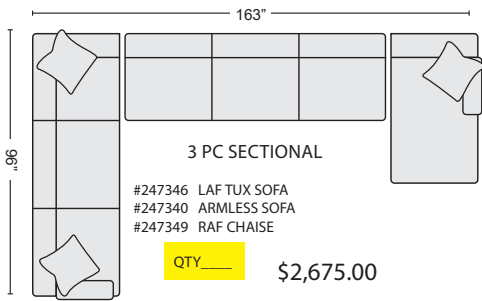
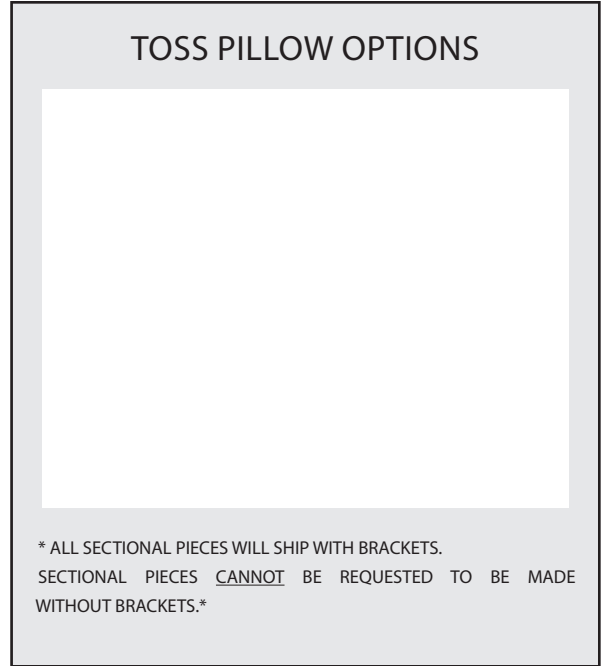
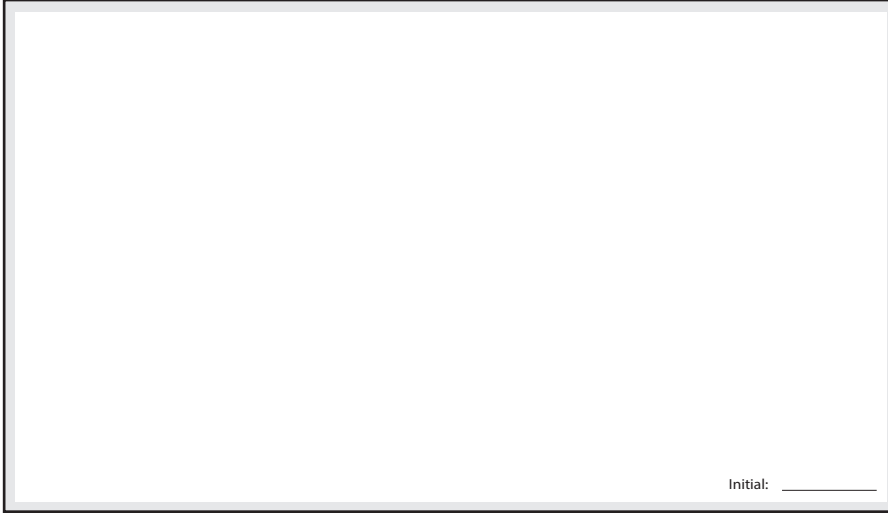


First Name: _____ Last Name: _____

Guest Signature: _____ Date: _____

Sales Person Name: _____

Sale Order Number: _____



* ALL SECTIONAL PIECES WILL SHIP WITH BRACKETS. SECTIONAL PIECES CANNOT BE REQUESTED TO BE MADE WITHOUT BRACKETS.*

