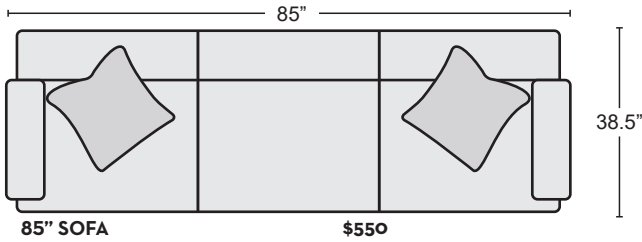


First Name: _____ Last Name: _____

Customer Signature: _____ Date: _____

Sales Person Name: _____

Sale Order Number: _____

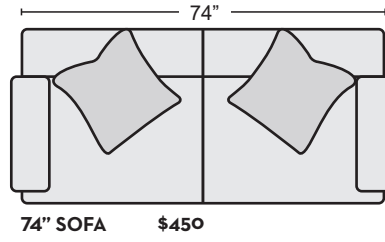


85" SOFA \$550

- #318003 Cement
- #318005 Indigo

QTY

QTY

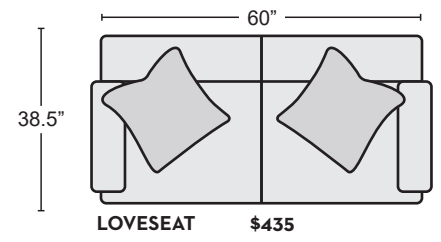


74" SOFA \$450

- #312658 Cement
- #312668 Indigo

QTY

QTY

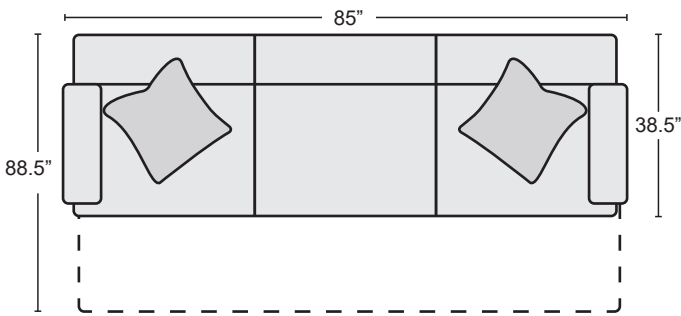


LOVESEAT \$435

- #312659 Cement
- #312669 Indigo

QTY

QTY

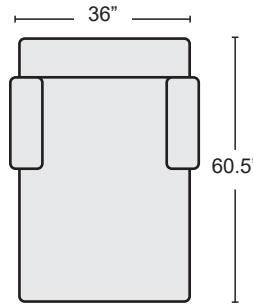


QUEEN SLEEPER SOFA \$1095

- #318004 Cement
- #318006 Indigo

QTY

QTY

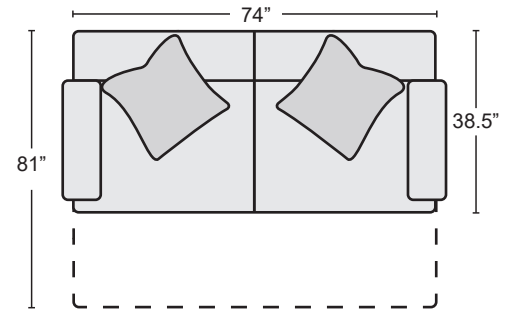


CHAISE LOUNGE \$395

- #312660 Cement
- #312670 Indigo

QTY

QTY



FULL SLEEPER SOFA \$895

- #312661 Cement
- #312671 Indigo

QTY

QTY