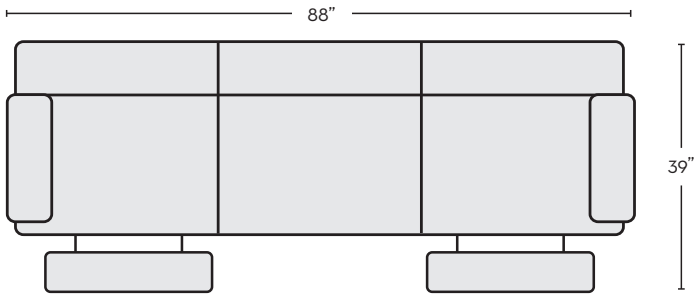


First Name: \_\_\_\_\_ Last Name: \_\_\_\_\_

Customer Signature: \_\_\_\_\_ Date: \_\_\_\_\_

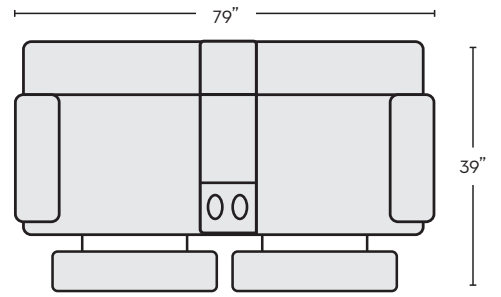
Sales Person Name: \_\_\_\_\_

Sale Order Number: \_\_\_\_\_



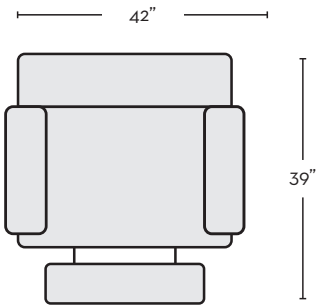
POWER RECLINING SOFA WITH POWER HEADREST & USB  
#328067 \$695.00

QTY\_\_



POWER RECLINING CONSOLE LOVESEAT WITH POWER HEADREST & USB  
#328064 \$695.00

QTY\_\_



POWER RECLINER WITH POWER HEADREST & USB  
#328063 \$450.00

QTY\_\_