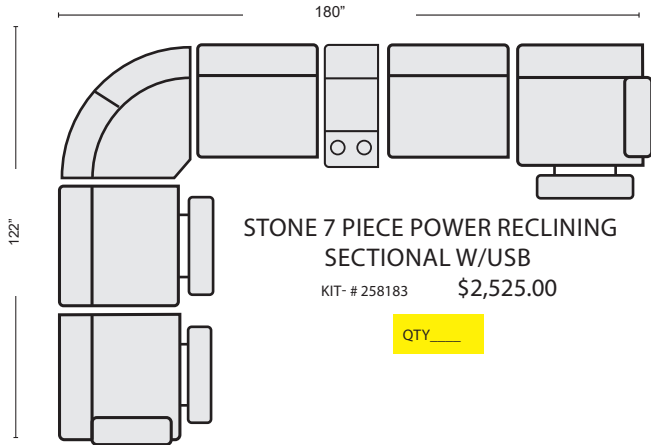


First Name: _____ Last Name: _____

Customer Signature: _____ Date: _____

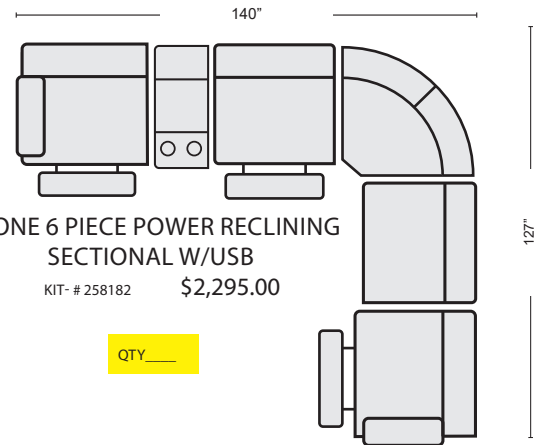
Sales Person Name: _____

Sale Order Number: _____



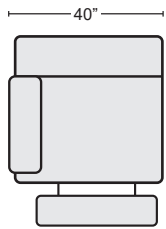
STONE 7 PIECE POWER RECLINING SECTIONAL W/USB
KIT- # 258183 \$2,525.00

QTY _____



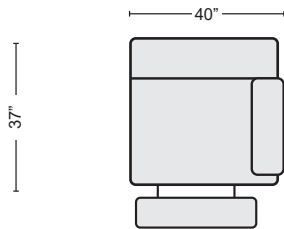
STONE 6 PIECE POWER RECLINING SECTIONAL W/USB
KIT- # 258182 \$2,295.00

QTY _____



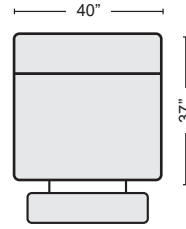
STONE LAF POWER RECLINER W/USB
#258169 \$475.00

QTY _____



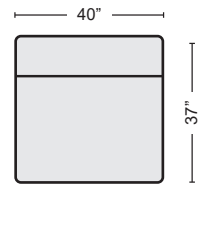
STONE RAF POWER RECLINER W/USB
#258170 \$475.00

QTY _____



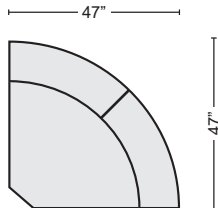
STONE ARMLESS POWER RECLINER
#258172 \$420.00

QTY _____



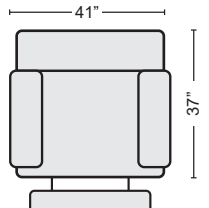
STONE ARMLESS CHAIR
#258171 \$230.00

QTY _____



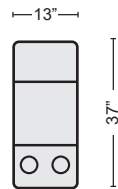
STONE CORNER WEDGE
#258175 \$495.00

QTY _____



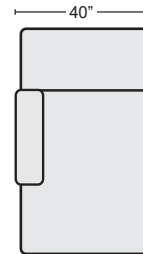
STONE POWER RECLINER WITH USB
#258177 \$595.00

QTY _____



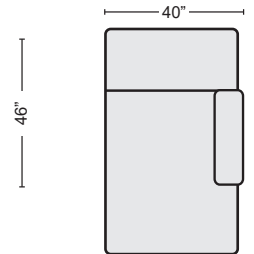
STONE CONSOLE
#258176 \$200.00

QTY _____



STONE LAF CHAISE
#258173 \$475.00

QTY _____



STONE RAF CHAISE
#258214 \$475.00

QTY _____