

***LAST UPDATED 01/08/20**

Sales Order: _____

First Name: _____ Last Name: _____

Address: _____

City: _____ State: _____ Zip: _____

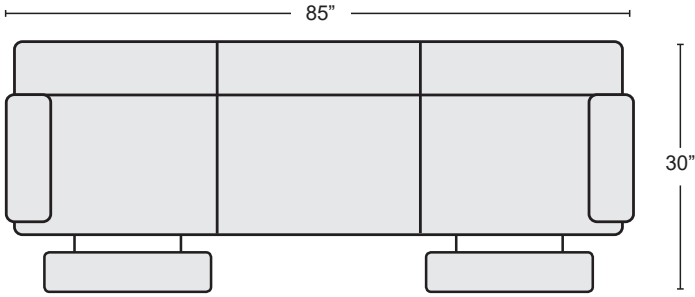
Phone Number: _____

Email Address: _____

Estimated Delivery Date: _____

Guest Signature: _____ Date: _____

Sales Person Name: _____

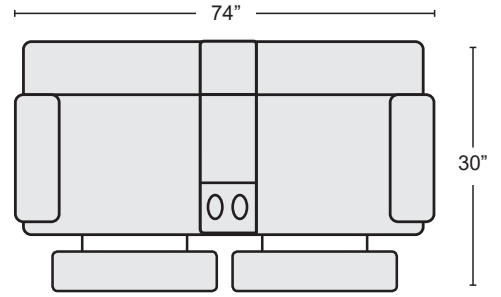


RECLINING SOFA WITH USB
#254370 \$495.00

QTY

POWER RECLINING SOFA WITH USB
#254373 \$595.00

QTY

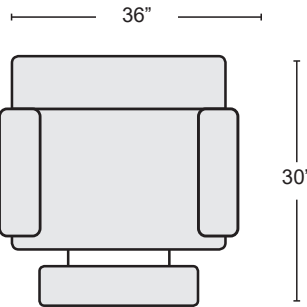


RECLINING CONSOLE LOVESEAT W/USB
#254371 \$495.00

QTY

POWER RECLINING CONSOLE LOVESEAT W/USB
#254396 \$595.00

QTY



RECLINER WITH USB
#254372 \$350.00

QTY

POWER RECLINER WITH USB
#254397 \$395.00

QTY