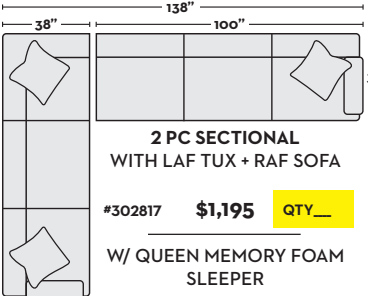
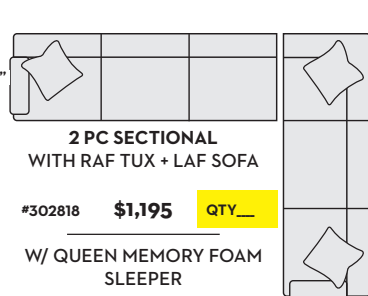
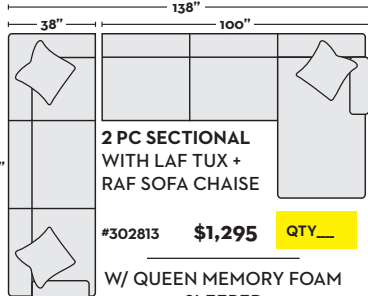
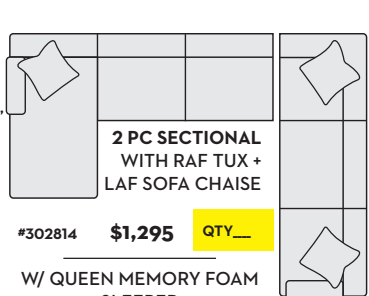


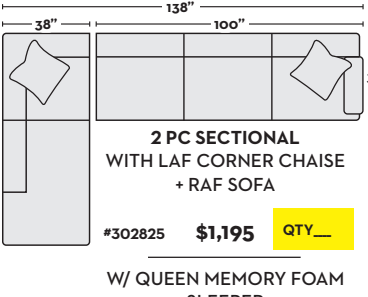
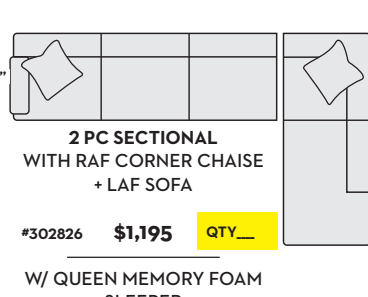
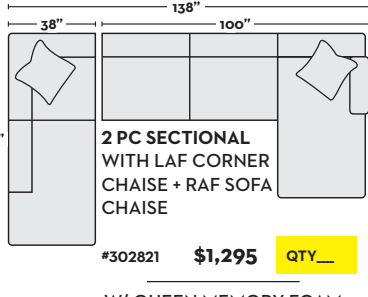
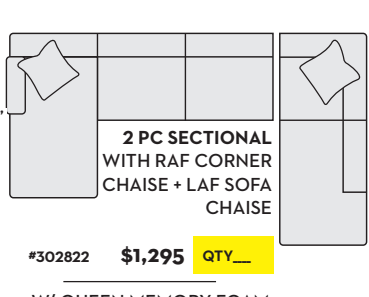
First Name: _____ Last Name: _____

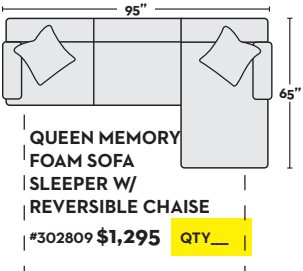
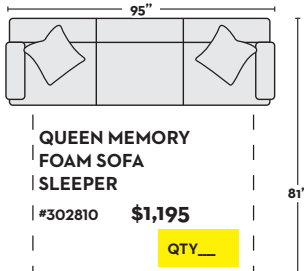
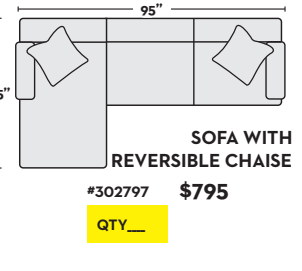
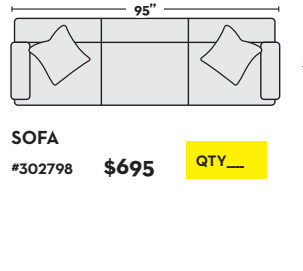
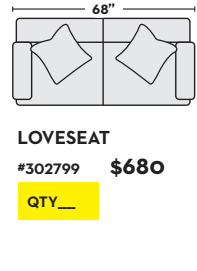
Customer Signature: _____ Date: _____

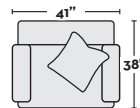
Sales Person Name: _____

Sale Order Number: _____

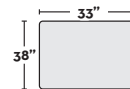
 <p>2 PC SECTIONAL WITH LAF TUX + RAF SOFA</p> <p>#302817 \$1,195 QTY__</p> <p>W/ QUEEN MEMORY FOAM SLEEPER</p> <p>#302819 \$1,695 QTY__</p>	 <p>2 PC SECTIONAL WITH RAF TUX + LAF SOFA</p> <p>#302818 \$1,195 QTY__</p> <p>W/ QUEEN MEMORY FOAM SLEEPER</p> <p>#302820 \$1,695 QTY__</p>	 <p>2 PC SECTIONAL WITH LAF TUX + RAF SOFA CHAISE</p> <p>#302813 \$1,295 QTY__</p> <p>W/ QUEEN MEMORY FOAM SLEEPER</p> <p>#302815 \$1,795 QTY__</p>	 <p>2 PC SECTIONAL WITH RAF TUX + LAF SOFA CHAISE</p> <p>#302814 \$1,295 QTY__</p> <p>W/ QUEEN MEMORY FOAM SLEEPER</p> <p>#302816 \$1,795 QTY__</p>
---	--	--	---

 <p>2 PC SECTIONAL WITH LAF CORNER CHAISE + RAF SOFA</p> <p>#302825 \$1,195 QTY__</p> <p>W/ QUEEN MEMORY FOAM SLEEPER</p> <p>#302827 \$1,695 QTY__</p>	 <p>2 PC SECTIONAL WITH RAF CORNER CHAISE + LAF SOFA</p> <p>#302826 \$1,195 QTY__</p> <p>W/ QUEEN MEMORY FOAM SLEEPER</p> <p>#302828 \$1,695 QTY__</p>	 <p>2 PC SECTIONAL WITH LAF CORNER CHAISE + RAF SOFA CHAISE</p> <p>#302821 \$1,295 QTY__</p> <p>W/ QUEEN MEMORY FOAM SLEEPER</p> <p>#302823 \$1,795 QTY__</p>	 <p>2 PC SECTIONAL WITH RAF CORNER CHAISE + LAF SOFA CHAISE</p> <p>#302822 \$1,295 QTY__</p> <p>W/ QUEEN MEMORY FOAM SLEEPER</p> <p>#302824 \$1,795 QTY__</p>
--	---	---	--

 <p>QUEEN MEMORY FOAM SOFA SLEEPER W/ REVERSIBLE CHAISE</p> <p>#302809 \$1,295 QTY__</p>	 <p>QUEEN MEMORY FOAM SOFA SLEEPER</p> <p>#302810 \$1,195 QTY__</p>	 <p>SOFA WITH REVERSIBLE CHAISE</p> <p>#302797 \$795 QTY__</p>	 <p>SOFA</p> <p>#302798 \$695 QTY__</p>	 <p>LOVESEAT</p> <p>#302799 \$680 QTY__</p>
--	--	--	--	--



CHAIR
#302855 **\$595**
QTY__



STORAGE OTTOMAN
#302808 **\$350**
QTY__