

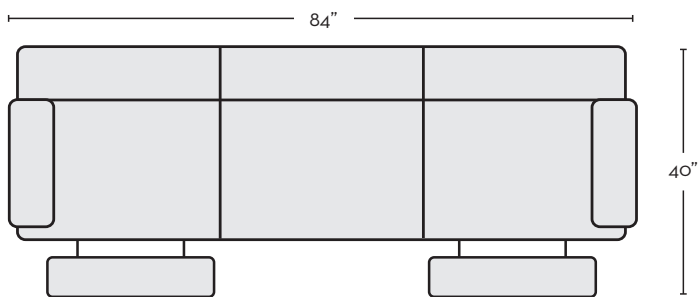
*LAST UPDATED 12/05/23

First Name: _____ Last Name: _____

Customer Signature: _____ Date: _____

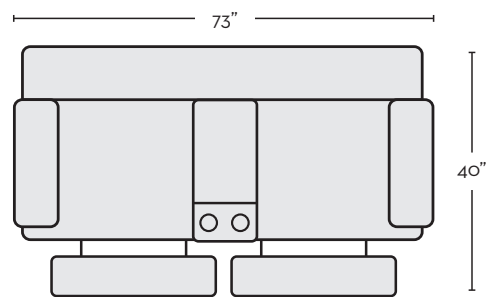
Sales Person Name: _____

Sale Order Number: _____



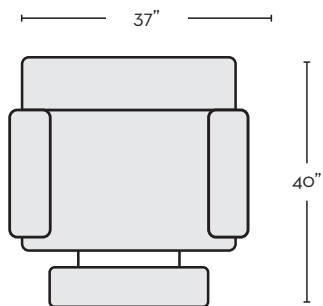
LEATHER POWER RECLINING SOFA WITH
POWER HEADREST & USB
#277921 \$2,895.00

QTY__



LEATHER POWER RECLINING LOVESEAT W/STORAGE
CONSOLE, POWER HEADREST & USB
#277922 \$2,995.00

QTY__



LEATHER POWER ROCKER RECLINER WITH
POWER HEADREST & USB
#277920 \$1,795.00

QTY__