



BRAXTON SLIDING SEAT SECTIONAL

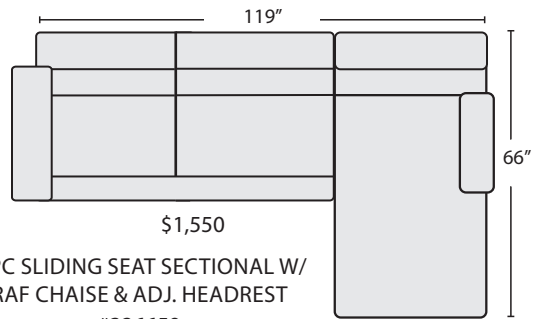
Rev 03/11/25

First Name: _____ Last Name: _____

Customer Signature: _____ Date: _____

Sales Person Name: _____

Sale Order Number: _____

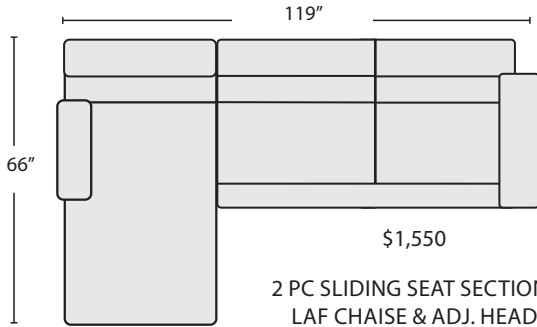


\$1,550

2 PC SLIDING SEAT SECTIONAL W/
RAF CHAISE & ADJ. HEADREST

#326659

QTY _____

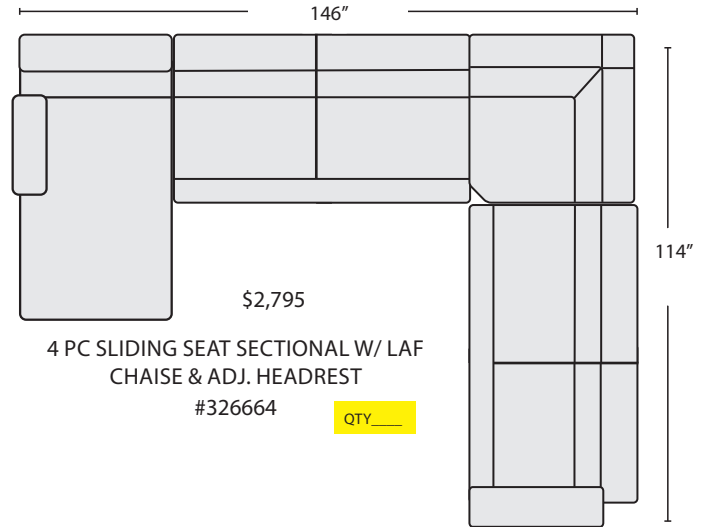


\$1,550

2 PC SLIDING SEAT SECTIONAL W/
LAF CHAISE & ADJ. HEADREST

#326663

QTY _____

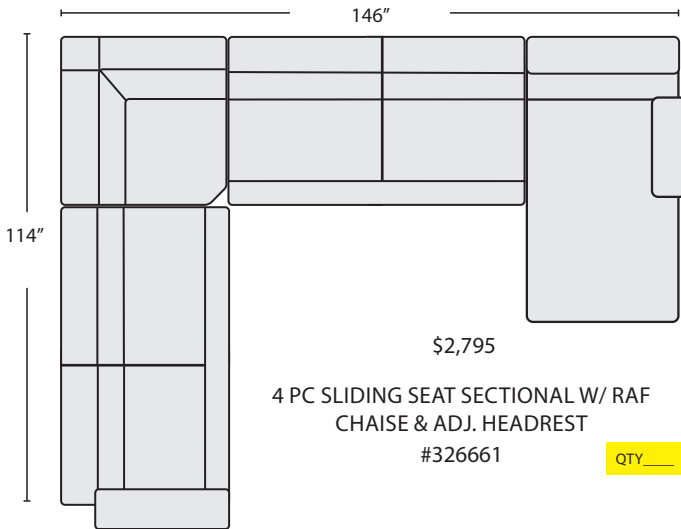


\$2,795

4 PC SLIDING SEAT SECTIONAL W/ LAF
CHAISE & ADJ. HEADREST

#326664

QTY _____

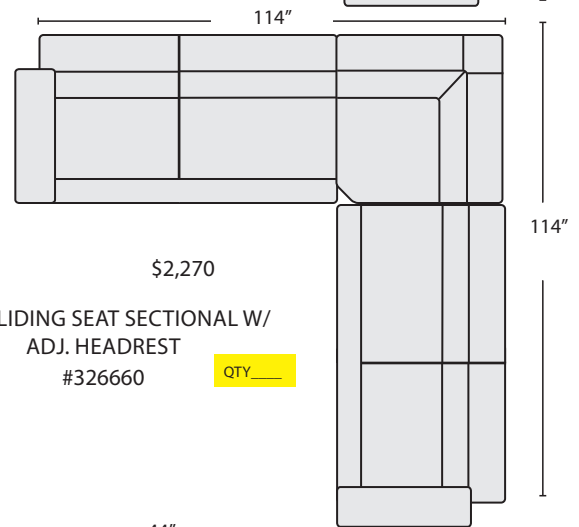


\$2,795

4 PC SLIDING SEAT SECTIONAL W/ RAF
CHAISE & ADJ. HEADREST

#326661

QTY _____

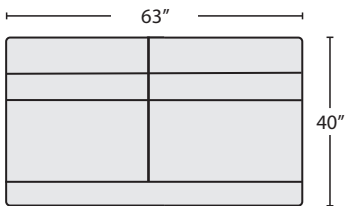


\$2,270

3 PC SLIDING SEAT SECTIONAL W/
ADJ. HEADREST

#326660

QTY _____

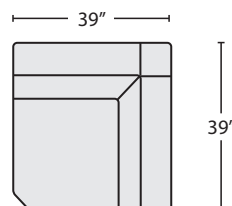


SLIDING SEAT ARMLESS LOVESEAT
WITH ADJUSTABLE HEADREST

#326666

QTY _____

\$775

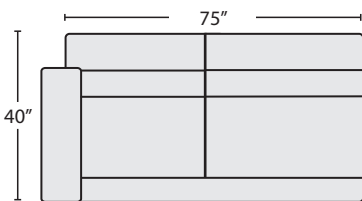


CORNER WITH ADJUSTABLE
HEADREST

#326667

QTY _____

\$470

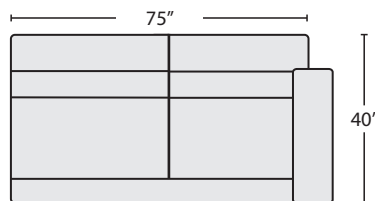


LAF SLIDING SEAT SOFA WITH ADJUST-
ABLE HEADREST

#326662

QTY _____

\$900

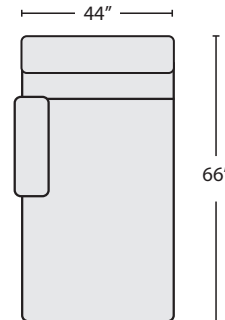


RAF SLIDING SEAT SOFA WITH
ADJUSTABLE HEADREST

#326665

QTY _____

\$900

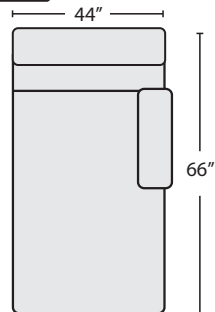


LAF CHAISE WITH ADJUSTABLE
HEADREST

#326657

QTY _____

\$650



RAF CHAISE WITH ADJUSTABLE
HEADREST

#326658

QTY _____

\$650

— DUE TO THE HAND BUILT NATURE OF THIS FURNITURE, DIMENSIONS MAY SLIGHTLY VARY —