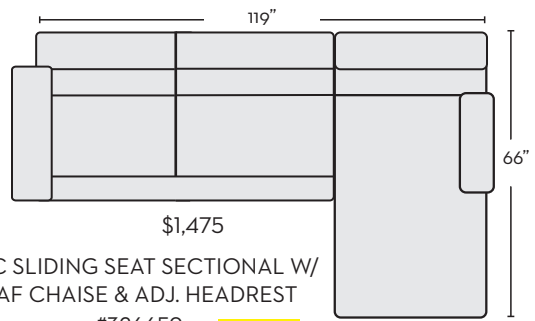


First Name: _____ Last Name: _____

Customer Signature: _____ Date: _____

Sales Person Name: _____

Sale Order Number: _____

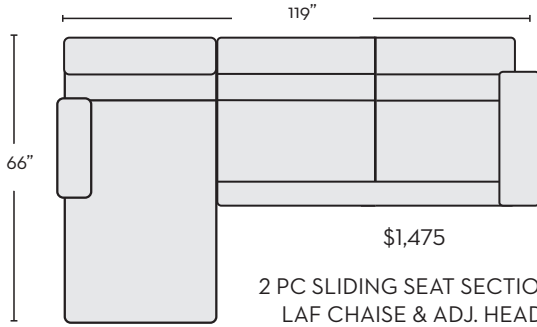


\$1,475

2 PC SLIDING SEAT SECTIONAL W/
RAF CHAISE & ADJ. HEADREST

#326659

QTY_

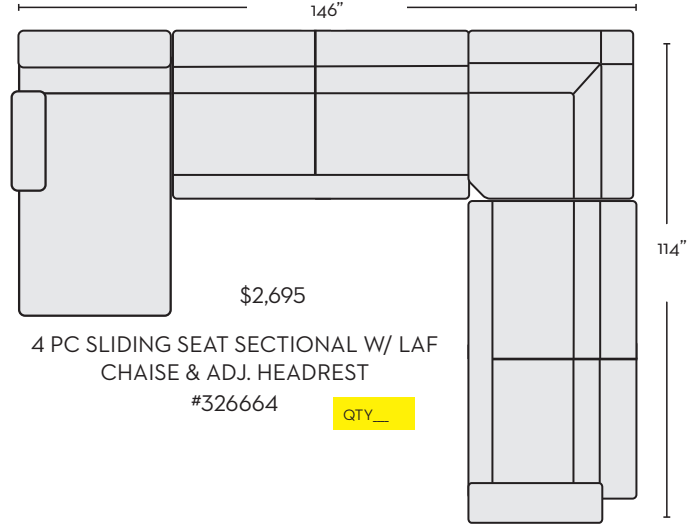


\$1,475

2 PC SLIDING SEAT SECTIONAL W/
LAF CHAISE & ADJ. HEADREST

#326663

QTY_

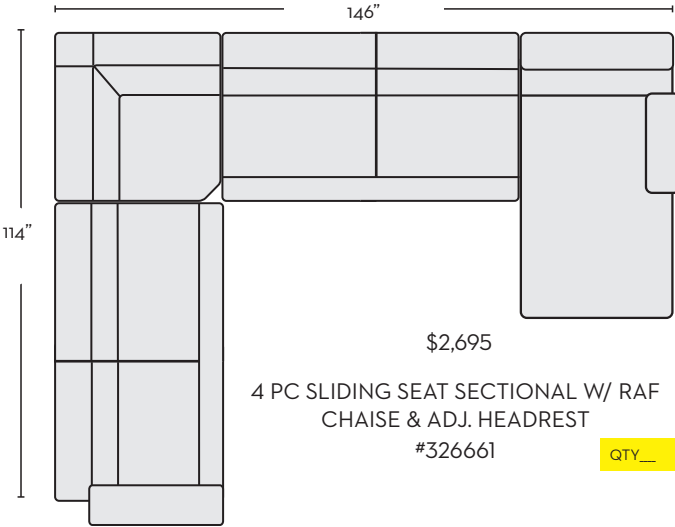


\$2,695

4 PC SLIDING SEAT SECTIONAL W/ LAF
CHAISE & ADJ. HEADREST

#326664

QTY_

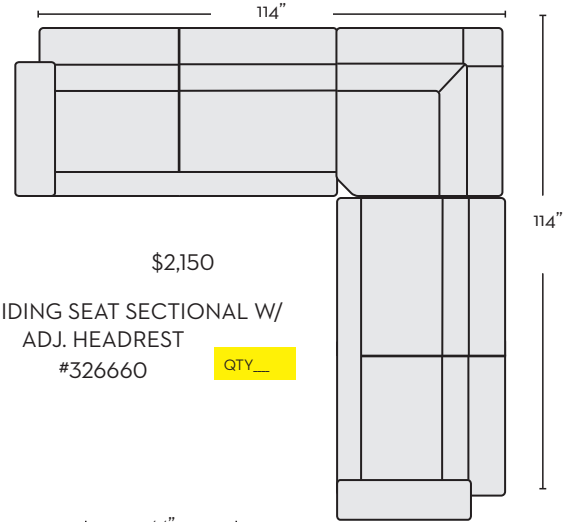


\$2,695

4 PC SLIDING SEAT SECTIONAL W/ RAF
CHAISE & ADJ. HEADREST

#326661

QTY_

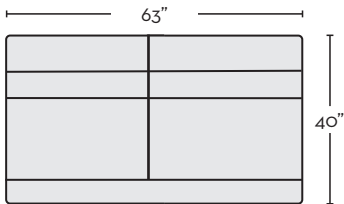


\$2,150

3 PC SLIDING SEAT SECTIONAL W/
ADJ. HEADREST

#326660

QTY_

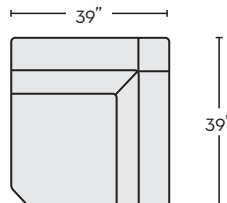


SLIDING SEAT ARMLESS LOVESEAT
WITH ADJUSTABLE HEADREST

#326666

QTY_

\$770

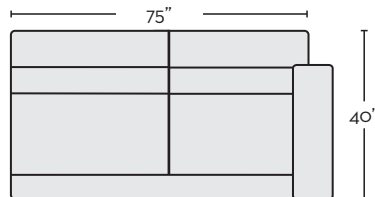


CORNER WITH ADJUSTABLE
HEADREST

#326667

QTY_

\$450

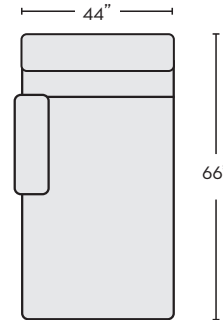


RAF SLIDING SEAT SOFA WITH
ADJUSTABLE HEADREST

#326665

QTY_

\$850

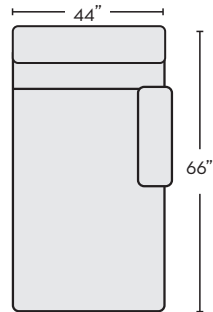


LAF CHAISE WITH ADJUSTABLE
HEADREST

#326657

QTY_

\$625

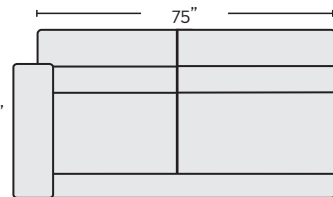


RAF CHAISE WITH ADJUSTABLE
HEADREST

#326658

QTY_

\$625



LAF SLIDING SEAT SOFA WITH ADJUST-
ABLE HEADREST

#326662

QTY_

\$850