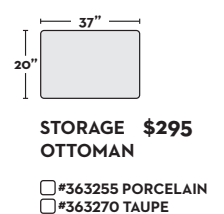
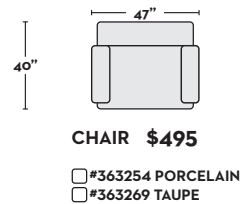
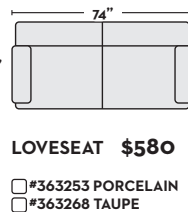
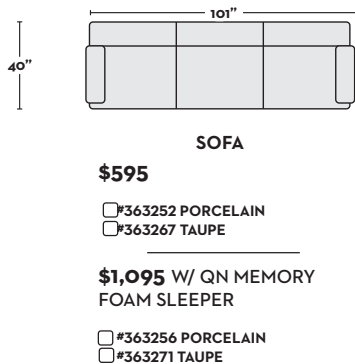
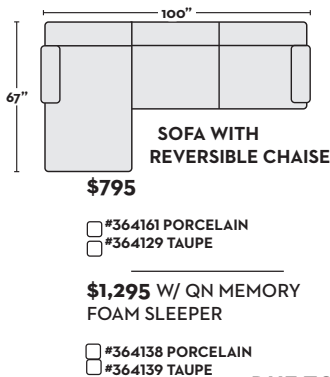
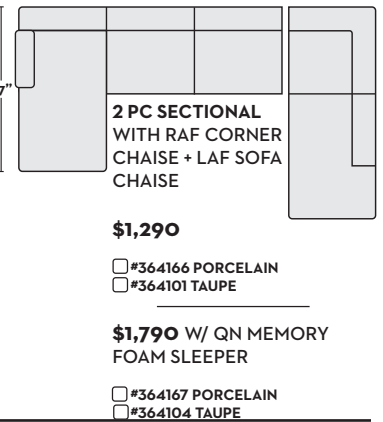
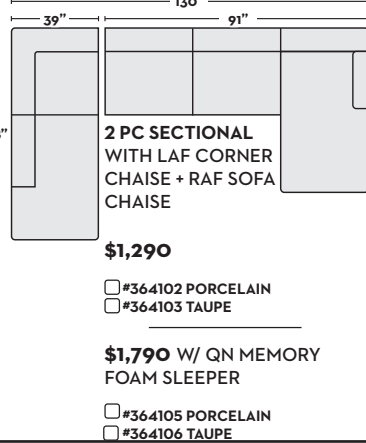
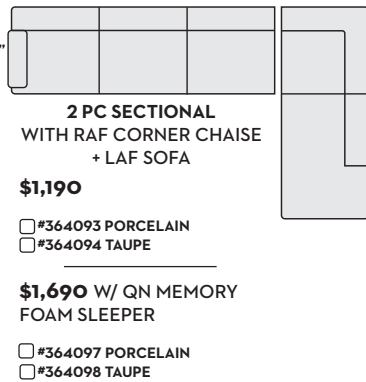
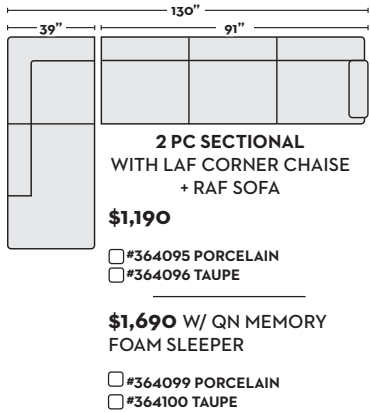
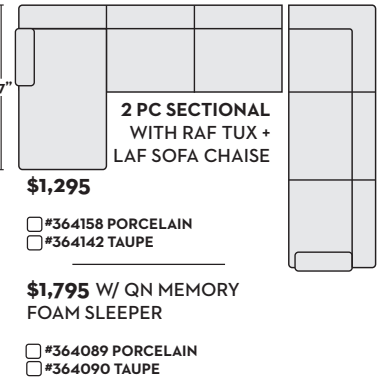
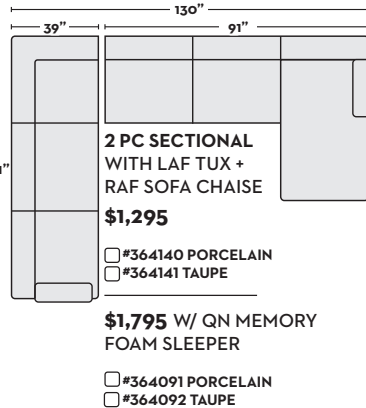
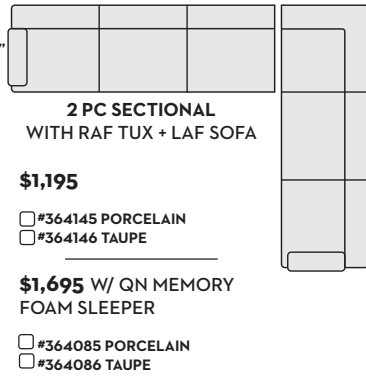
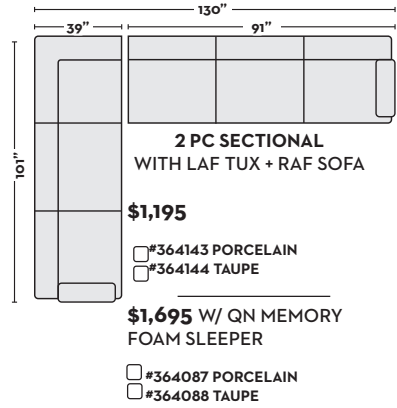
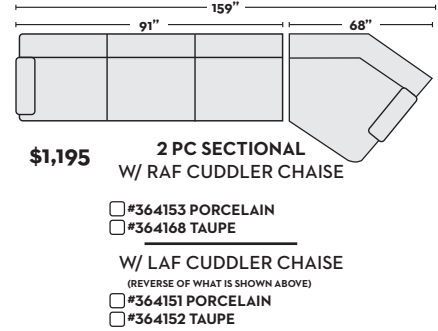
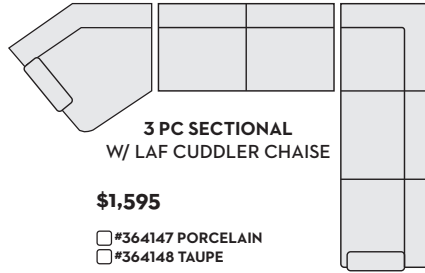
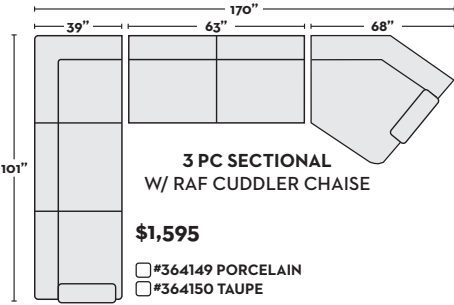


First Name: _____ Last Name: _____

Customer Signature: _____ Date: _____

Sales Person Name: _____

Sale Order Number: _____



* QUEEN SIZE SLEEPERS REQUIRE 81" FROM THE WALL TO FULLY EXTEND OUT

DUE TO THE HAND BUILT NATURE OF THIS FURNITURE, DIMENSIONS MAY SLIGHTLY VARY