



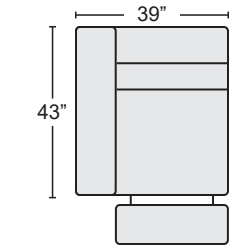
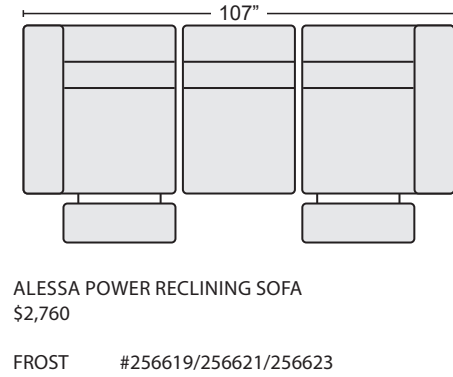
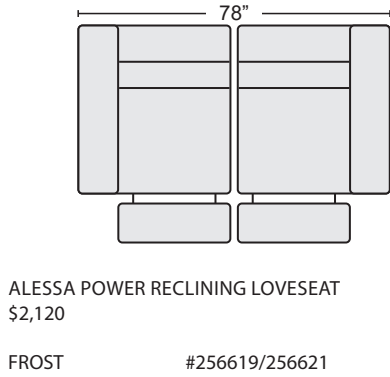
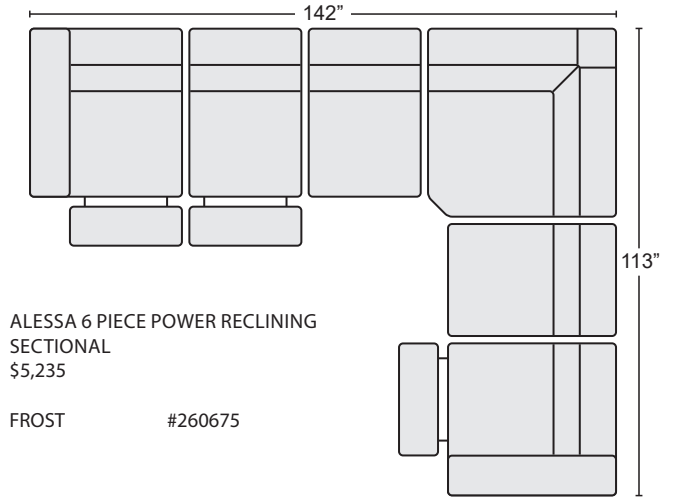
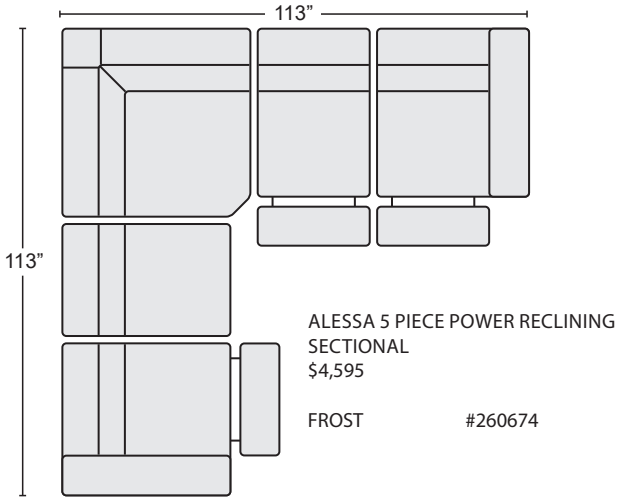
# ALESSA POWER RECLINING SECTIONAL

First Name: \_\_\_\_\_ Last Name: \_\_\_\_\_

Customer Signature: \_\_\_\_\_ Date: \_\_\_\_\_

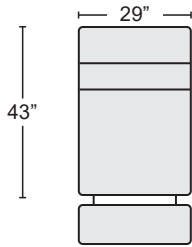
Sales Person Name: \_\_\_\_\_

Sale Order Number: \_\_\_\_\_



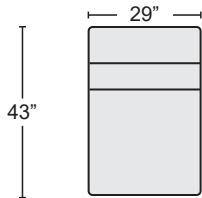
LAF RECLINER  
\$1060

FROST #256619



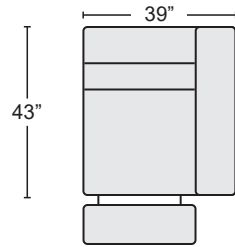
ARMLESS RECLINER  
\$880

FROST #256625



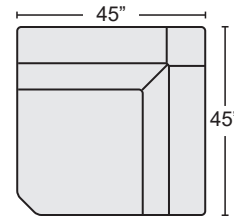
ARMLESS CHAIR  
\$640

FROST #256623



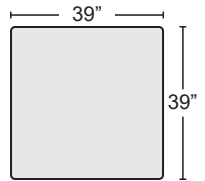
RAF RECLINER  
\$1060

FROST #256621



CORNER WEDGE  
\$955

FROST #256631



OTTOMAN  
\$495

FROST #256629

\* POWER RECLINERS ALSO FEATURE POWER HEADRESTS

— DUE TO THE HAND BUILT NATURE OF THIS FURNITURE, DIMENSIONS MAY SLIGHTLY VARY —