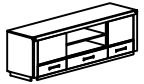

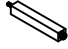
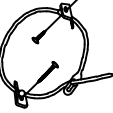


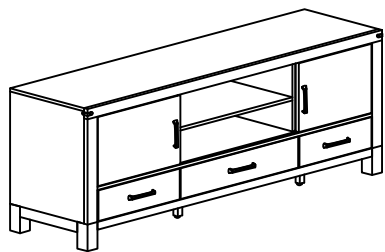


ASSEMBLY INSTRUCTIONS



A	MEDIA CHEST	 X1
B	LEG (Packed underneath bottom panel)	 X4
C	SUPPORT LEG	 X2
D	TIPPING RESTRAINT (Affix to wall behind Dresser) *Located at the back panel	 X1
E	JCBC BOLT WITH SPRING WASHER AND FLAT WASHER M6 x 50mm	 X8
F	ALLEN KEY M4	 X1

MEDIA CHEST

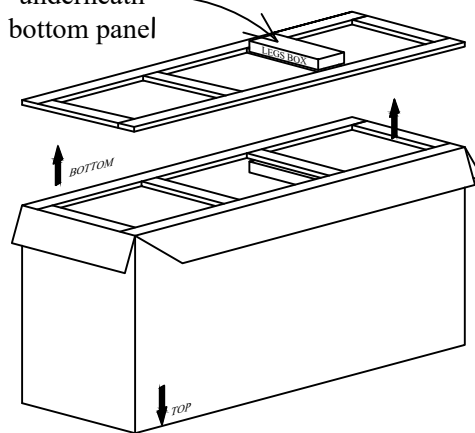


B3100-7 - MEDIA CHEST

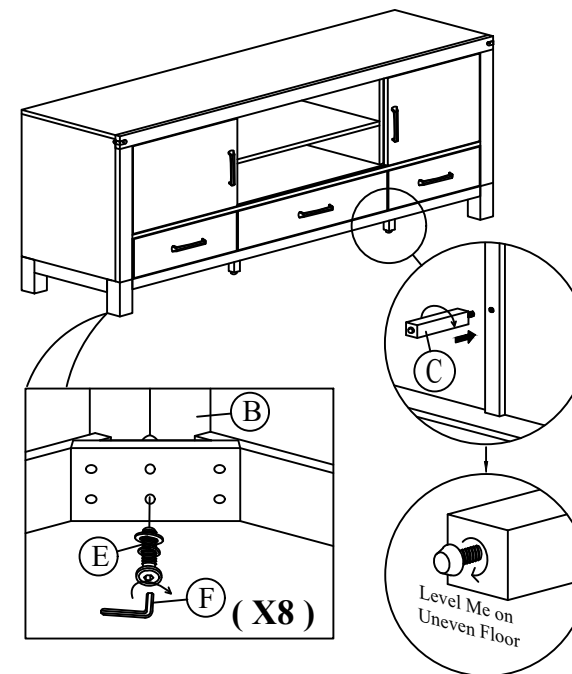


1

Legs packed underneath bottom panel



2



3

