



**LIVING SPACES**

**ASSEMBLY INSTRUCTIONS**

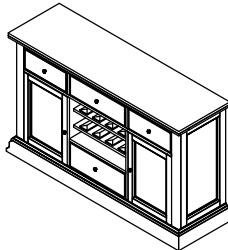
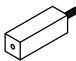
**ITEM 305-S178-146**

**SERVER**

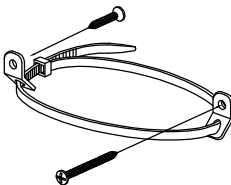
Thank you for purchasing this quality product. Be sure to check all packing material carefully for small hardware which may have come loose inside the carton during shipment. Identify and count all hardware and compare with the hardware list below.

When placing furniture on non-carpeted flooring, HMI recommends the use of floor protection such as an area rug or furniture pads. Area rugs and padding not included with purchase.

**PARTS LIST**

No.	Description	Sketch	Quantity
1	SERVER		1
2	SUPPORT LEG		1

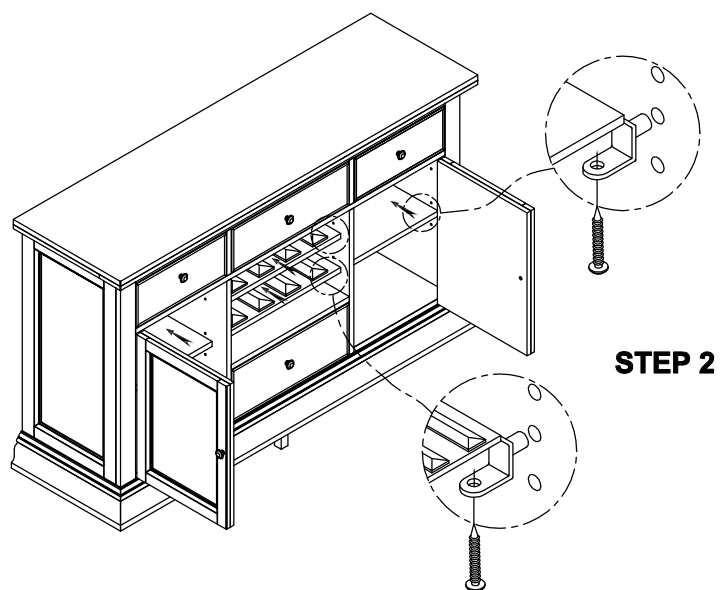
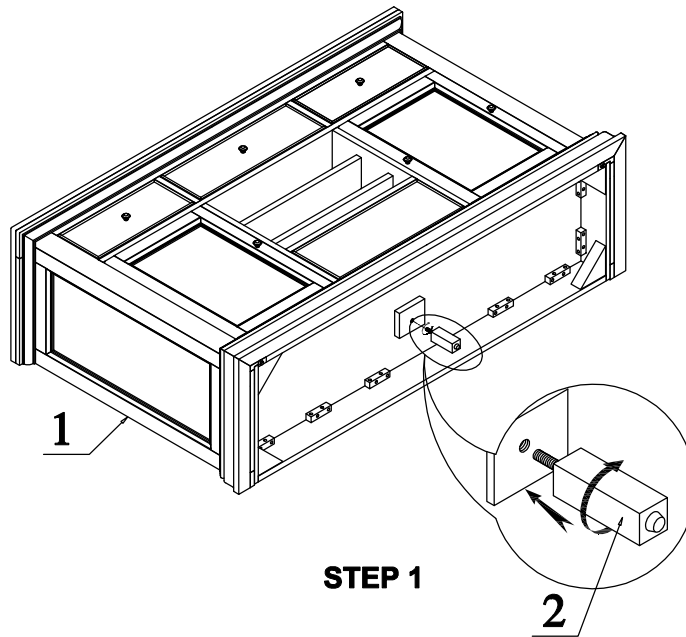
**HARDWARE LIST**

No.	Description	Sketch	Quantity
A	Furniture Tipping Restraint		1

**ASSEMBLY INSTRUCTIONS**

**ITEM 305-S178-146**

**SERVER**



**ASSEMBLY INSTRUCTIONS**

**ITEM 305-S178-146**

**SERVER**

**STEP 3**

**Furniture Tipping Restraint**

