

# ASSEMBLY INSTRUCTIONS

## MODEL: 70609

10. Install the candelabra bulbs (not included) onto the sockets.

### **CAUTION!**

Uses 60 watt maximum E12 candelabra bulbs or CFL equivalent.

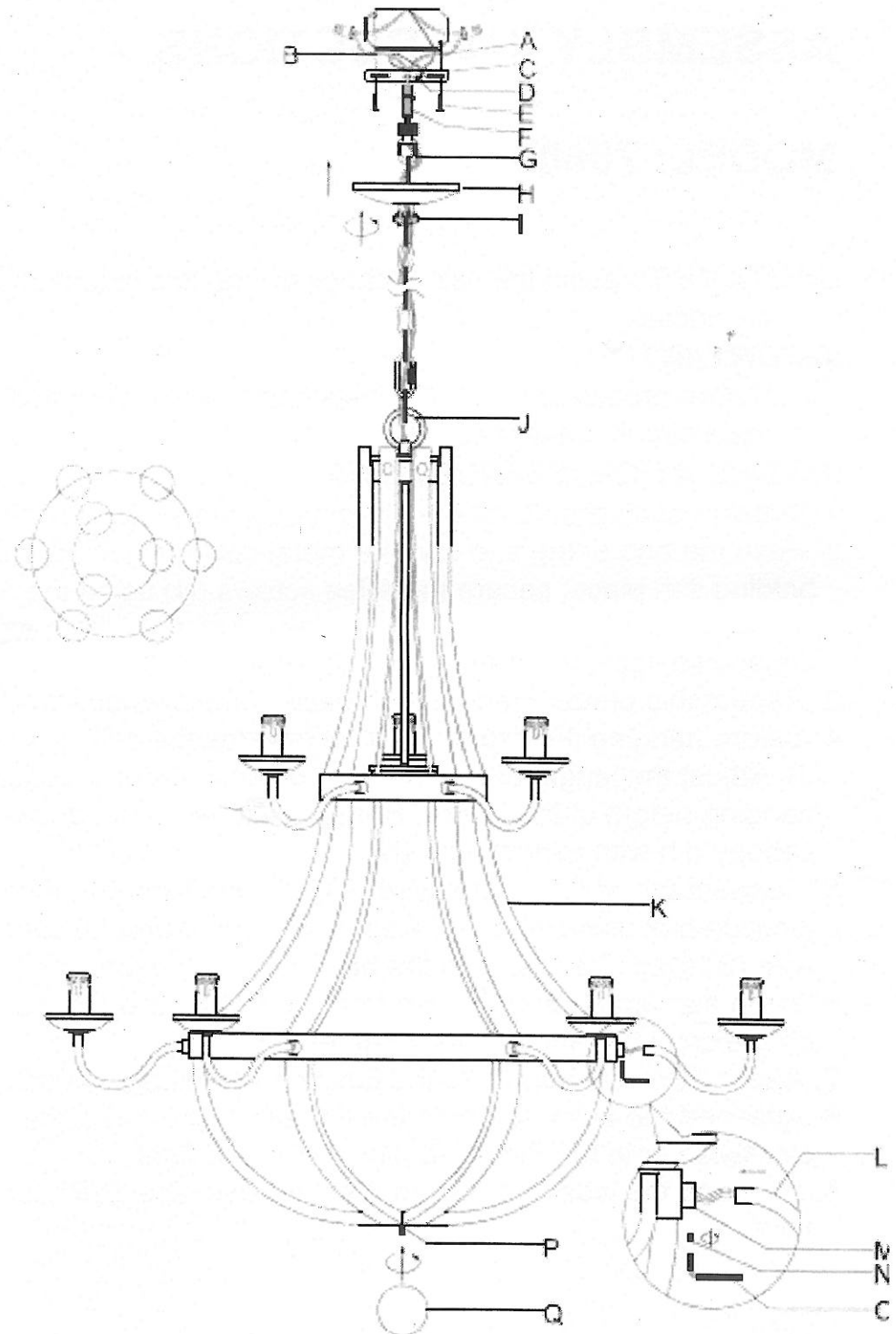
### **CLEANING CARE**

Clean with a soft dry cloth.

### **SAFETY INFORMATION**

Lighted Bulbs are Hot. Always turn off the power supply and allow to cool for 10 minutes before changing the light bulbs.

- A. White neutral wire
- B. Black neutral wire
- C. Cross bar
- D. Ground screw
- E. Mounting screw
- F. Threaded pipe 1
- G. Bull ring
- H. Canopy
- I. Canopy ring
- J. Chain
- K. Wood assembly
- L. Socket arm
- M. Metal collar
- N. Allen screw
- O. Allen wrench
- P. Threaded pipe 2
- Q. Wood ball



# ASSEMBLY INSTRUCTIONS

**MODEL: 70609**

**CAUTION!** To avoid the risk of shock or fire, this fixture should only be installed by a licensed electrician.

**IMPORTANT!**

Before proceeding with the installation, make sure that the power is switched off at the main circuit breaker panel.

**INSTALLATION INSTRUCTIONS-**

1. Position each arm (L) in the upright position as shown in the diagram on page 2.
2. Push the end of the arm into the metal collar (M) as far as possible. While holding it in place, secure the Allen screws (N) using the Allen wrench (O) which is provided with the fixture. Make sure the arm is secure and straight. Otherwise, loosen the Allen screws, reposition the arm and retighten.
3. Repeat this procedure to attach each of the socket arms.
4. Before hanging the fixture, lift it up towards the ceiling by holding the chain (J). Adjust the length of the wire and chain in order to reach the desired hanging height of the fixture. Remove excess chain and wire and then attach the canopy (H) with canopy ring (I)
5. Connect the white neutral wire (A) from the fixture to the white wire in the junction box using wire nut. Repeat this procedure to connect the black neutral wire (B) from the fixture to the black wire in the junction box.
6. Wrap the copper ground wire from the fixture around the green ground screw (D) on the crossbar and securely tighten the screw.
7. Attach the crossbar (C) to the junction box using mounting screws (E).
8. Attached the bull ring (G) to the threaded pipe 1 (F), then turn the ring clockwise onto the threaded pipe until hand tight.
9. Attached the wood ball (Q) to the threaded pipe 2 (P), turn clockwise until hand tight.