



# LIVING SPACES

### Vendor Information

Vendor Name: MODUS FURNITURE  
 Vendor Code: N/A  
 Parts Contact Name: VICTOR MILLAN  
 Phone: 310-827-2129  
 Email: N/A

### Living Spaces Information

LS SKU: 246105  
 LS Product Name: TIMBER DINING BENCH  
 Vendor Model #: 3Q5765  
 Vendor Collection: TIMBER

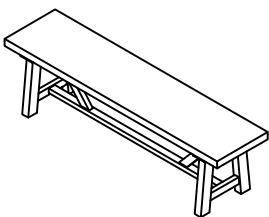
CODE	PART #	DESCRIPTION	SHIPS IN 48HRS	QUANTITY	PRICING	NOTES
C	3Q5765ST	TOP STRETCHER	YES	1		
D	3Q5765SS	DIAGONAL STRETCHER	YES	2		
E	3Q5765SB	BOTTOM STRETCHER	YES	1		
F	3QZZ65HW	ALLEN BOLT (5/16 x 50 MM)	YES	14		COMPLETE HARDWARE PACK WILL SHIP
G	3QZZ65HW	ALLEN BOLT (5/16 x 60 MM)	YES	2		COMPLETE HARDWARE PACK WILL SHIP
H	3QZZ65HW	LOCK WASHER (5/16 x 12 MM)	YES	16		COMPLETE HARDWARE PACK WILL SHIP
J	3QZZ65HW	FLAT WASHER (5/16 x 19 MM)	YES	16		COMPLETE HARDWARE PACK WILL SHIP
K	3QZZ65HW	ARC WASHER	YES	2		COMPLETE HARDWARE PACK WILL SHIP
L	3QZZ65HW	ALLEN KEY	YES	1		COMPLETE HARDWARE PACK WILL SHIP
	3QZZ60LV	LEG LEVELER	YES	4		



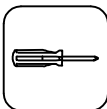
# LIVING SPACES

A	3Q5765-A		X1
B	3Q5765-B		X2
C	3Q5765ST		X1
D	3Q5765SS		X2
E	3Q5765SB		X1
F	3QZZ65HW		X14
G	3QZZ65HW		X2
H	3QZZ65HW		X16
J	3QZZ65HW		X16
K	3QZZ65HW		X2
L	3QZZ65HW		X1

TIMBER

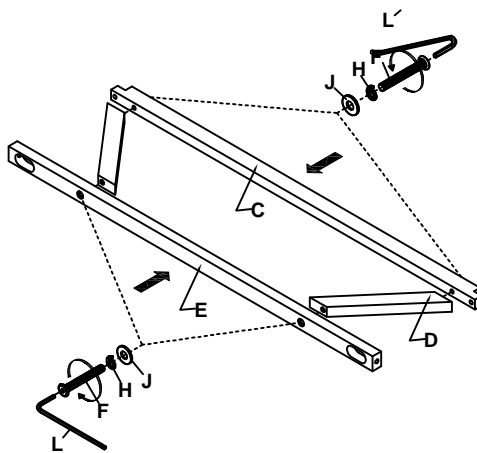


3Q5765  
TIMBER DINING BENCH

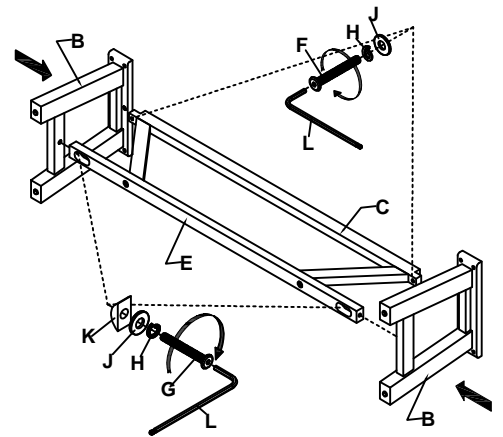


Not provided

①



②



③

