

CANOPY - FULL HOUSE BED

Important: Be sure to check all packing material carefully for small parts which may come loose inside carton during shipment. Separate, identify and count all parts and metal hardware.

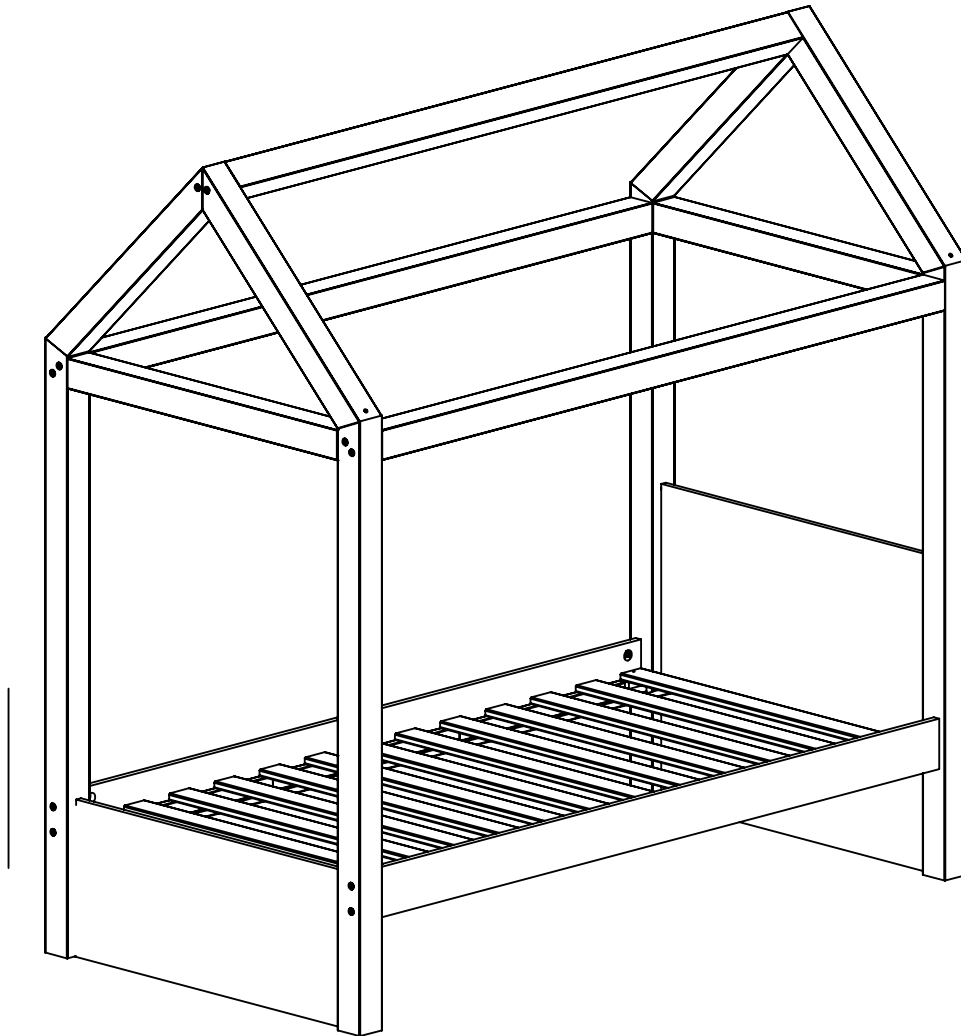
Compare with parts list and hardware illustrations to be sure all parts are present. If any part(s) are missing or damaged, contact your dealer's customer service department. For efficient and fast service, please indicate the model number and the parts needed.

ATTENTION: Some lettered parts listed on the instruction sheets may not be in the parts bag, they may already be assembled.

TOOLS REQUIRED

Phillips Screwdriver (Not included)

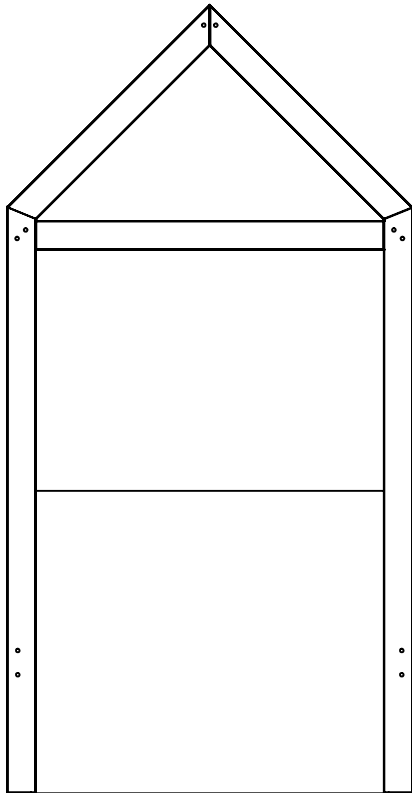
Allen Key (included)



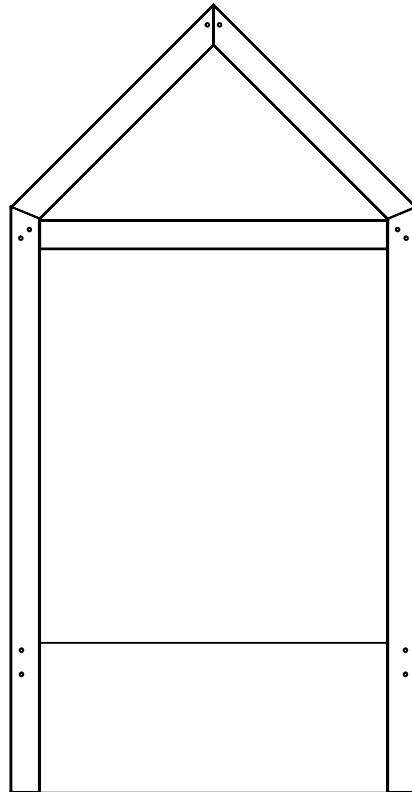
EACH UNIT SOLD SEPARATELY

PART LIST

**CARTON #DON70 FOR TWIN HOUSEBED
CARTON #DON75 FOR FULL HOUSEBED**

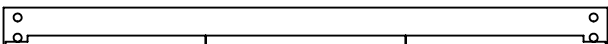



A HEADBOARD



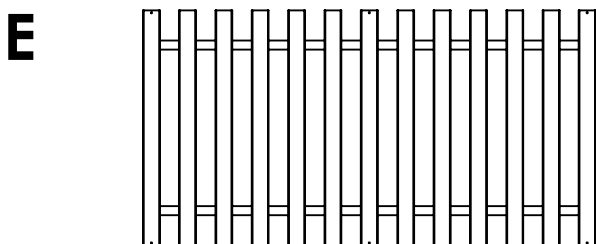
B FOOTBOARD

CARTON #DON71 FOR TWIN & FULL HOUSEBED

C  LOWER RAIL (2 pcs)

D  TOP RAIL (3 pcs)

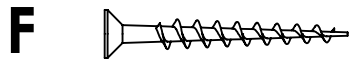
**CARTON #SB-1384B FOR TWIN HOUSEBED
CARTON #SB-1394B FOR FULL HOUSEBED**



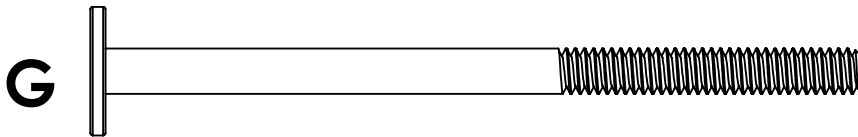
SLAT ROLL

HARDWARE LIST

INCLUDED IN CARTON #DON71



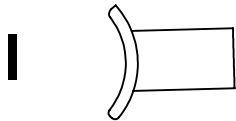
PHILLIPS HEAD SCREW 6 x 1 1/4"
Part No. HCPF-080 (10 pcs)



BOLT JCBB 1/4-20X110MM
Part No. HCPP-110Z (20 pcs)

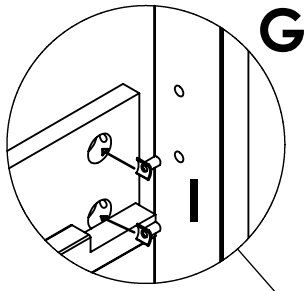


Allen Key
Part No. HIN-04 (2pcs)

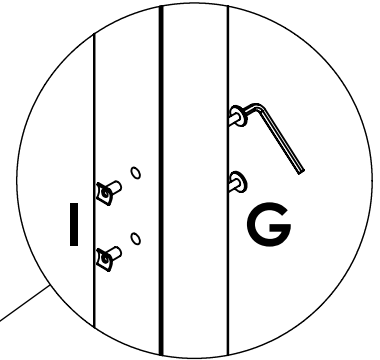
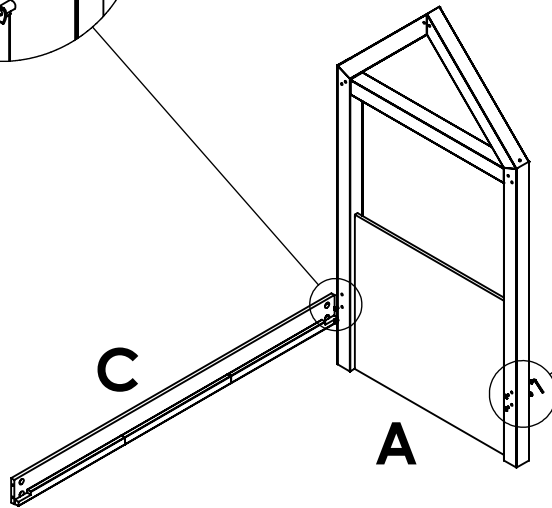


JCP CAP NUT 1/4-20x 9/16
Part No. HIN-209(8 pcs)

1



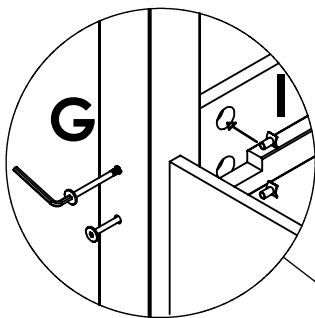
Insert **(I) CAP NUTS** in **(C)RAIL** holes and **(G) BOLTS** in lower **(A)HEADBOARD** holes. Tighten loosely with allen key as shown in right picture.



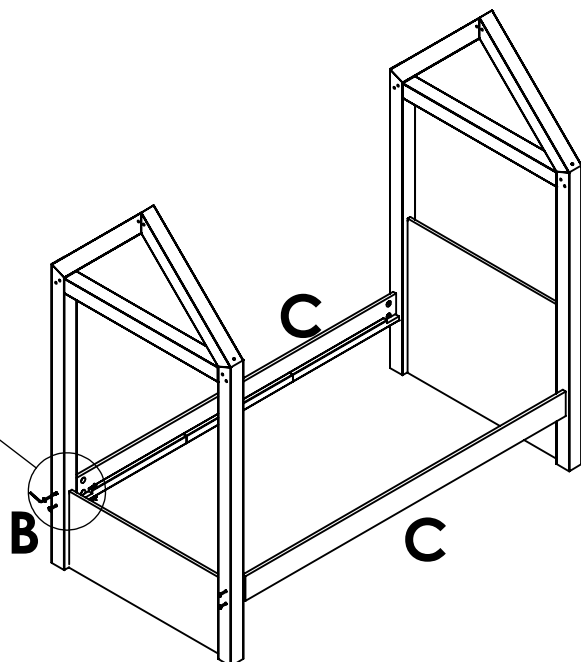
Do not tighten bolts all the way until all parts are assembled

2

Place the **(B)FOOTBOARD** in the opposite side of the rail and insert **(I) CAP NUTS** in **(C)RAIL** holes and **(G) BOLTS** in lower **(B)FOOTBOARD** holes. Tighten loosely with allen key as shown in picture.

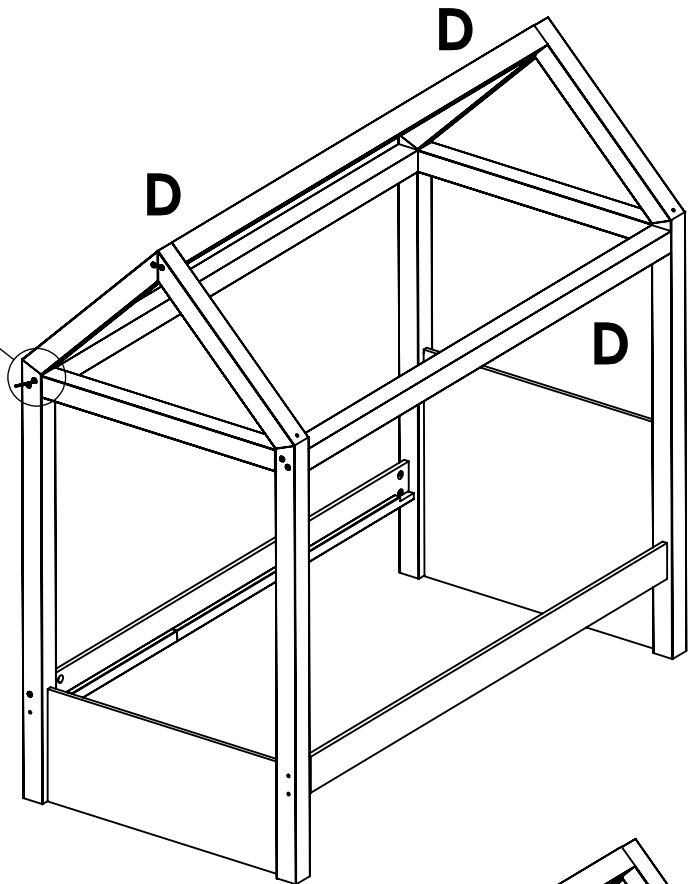
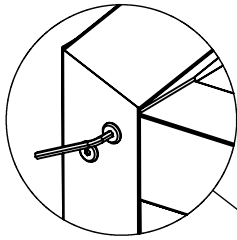


Do not tighten bolts all the way until all parts are assembled

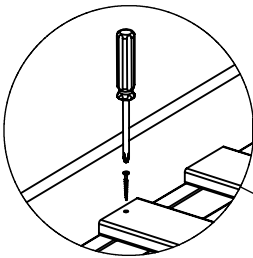


3

Carefully Place (3) **TOP RAILS (D)** and Fasten **BOLT (G)** with allen key until secured. Proceed to tighten securely all remaining bolts.



4



Carefully Place **SLAT ROLLS (E)** onto **Rails (C)** and fasten with (6) **SCREW (F)** as shown in drawing.

