



ASSEMBLY INSTRUCTIONS

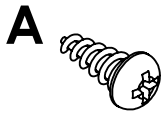
3 DRAWERS STORAGE BED MODEL No.DON85

Important: Be sure to check all packing material carefully for small parts which may come loose inside carton during shipment. Separate, identify and count all parts and metal hardware.

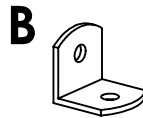
Compare with parts list and hardware illustrations to be sure all parts are present. If any part(s) are missing or damaged, contact your dealer's customer service department. For efficient and speedy service, please indicate the model number and the parts needed.

Attention: Some lettered parts listed on the instruction sheets may not be in the parts bag, they may already be assembled.

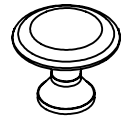
TOOLS REQUIRED: (Not Included)
Phillips Screwdriver



Screw PH 8 x 5/8 "
Part No: HCPF-073
4 pzs



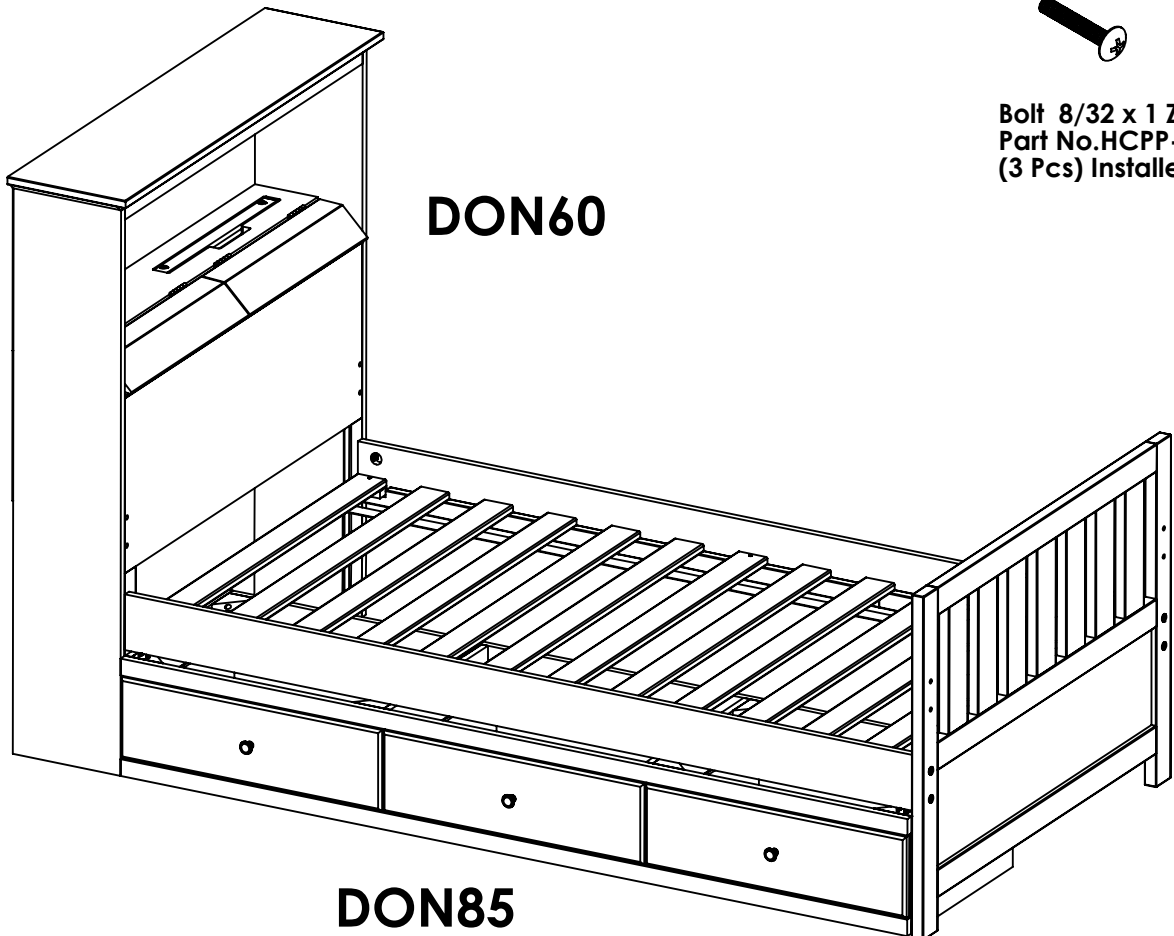
Bronze Corner Brace 3/4" x 3/4"
Part No: HI-CB4
2 pzs



Knob Dull Barrel Nickel
Part No. HBJ-CK3675
(3 Pcs) INSTALLED



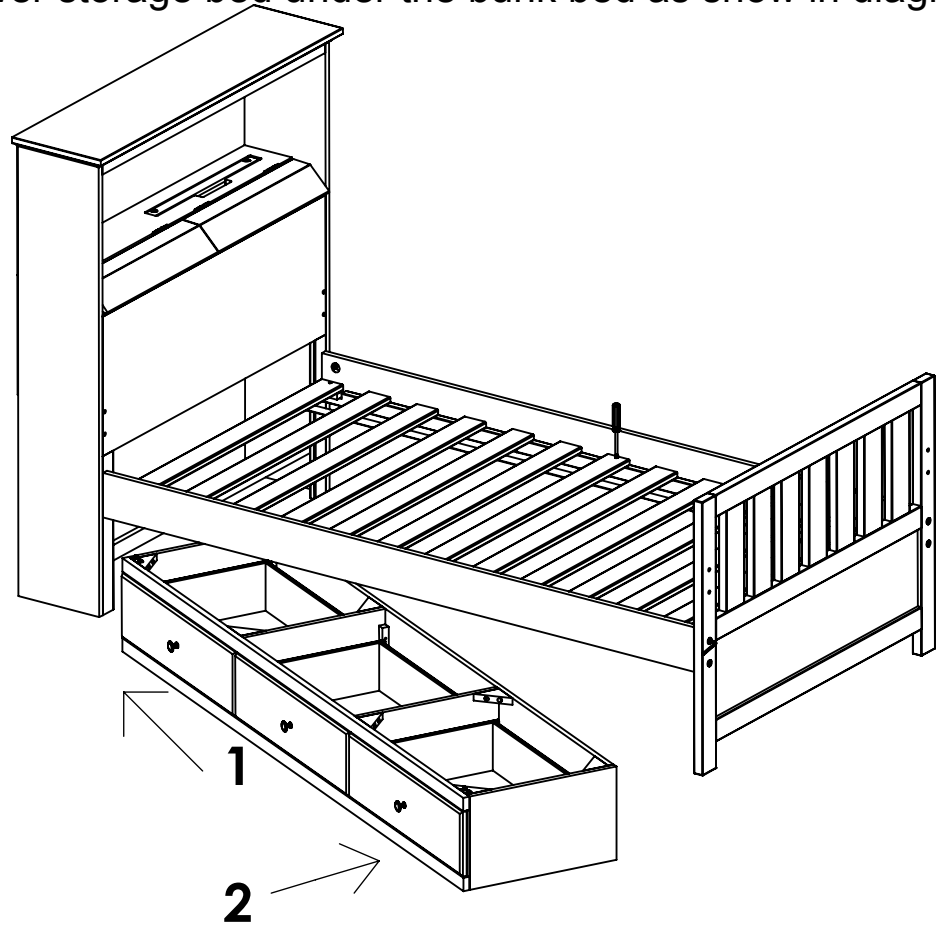
Bolt 8/32 x 1 Zinc
Part No.HCPP-07
(3 Pcs) Installed



EACH UNIT SOLD SEPARATELY

STEP-1

Locate the drawer storage bed under the bunk bed as show in diagram.



STEP-2

Use the metal bracket (B) and screw(A) to attach the drawer storage bed and the bed rails as shown in diagram.

