



# ASSEMBLY INSTRUCTIONS

## CAPTAIN'S TWIN BED MODEL No. DON40

**Important:** Be sure to check all packing material carefully for small parts which may come loose inside carton during shipment. Separate, identify and count all parts and metal hardware.

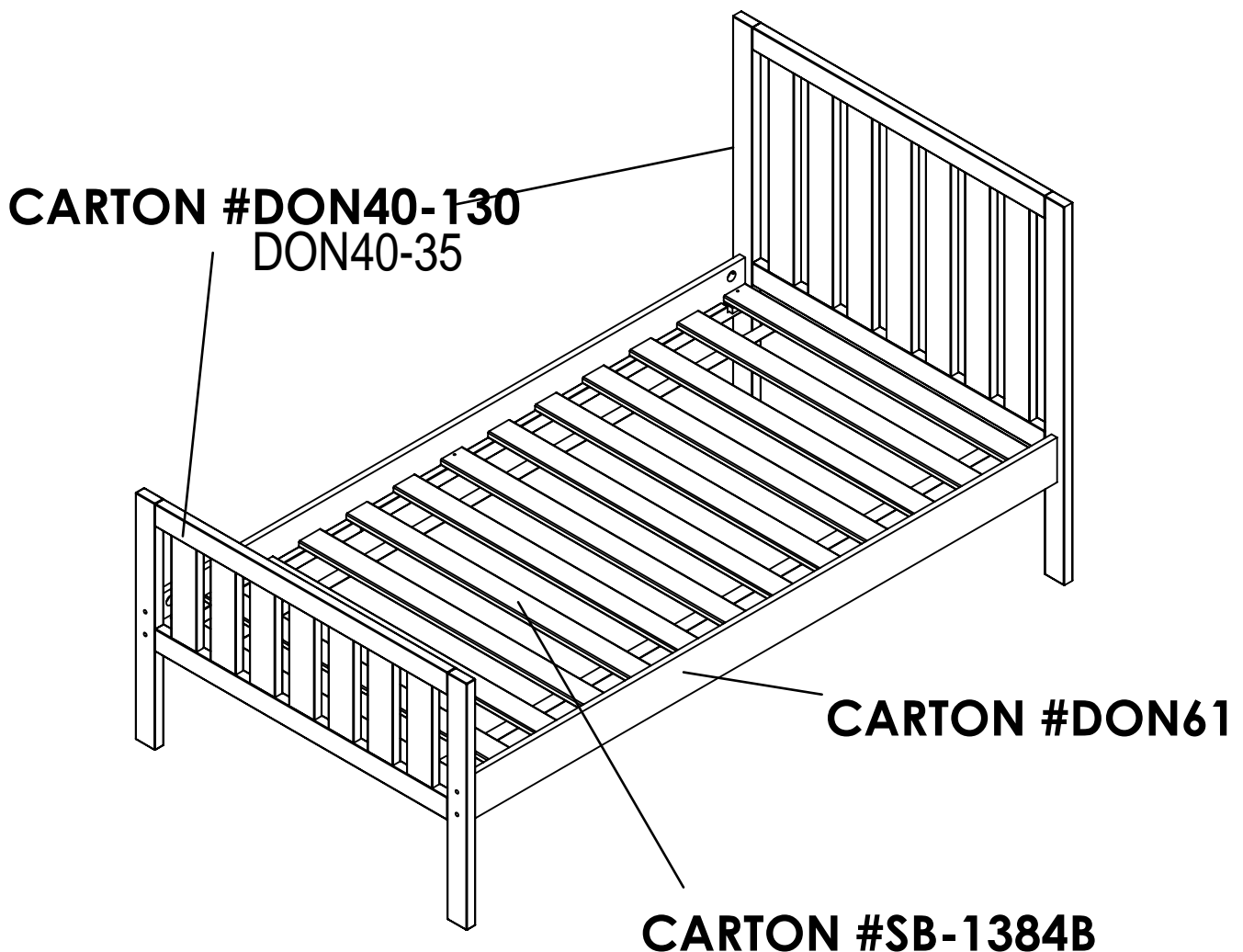
Compare with parts list and hardware illustrations to be sure all parts are present. If any part(s) are missing or damaged, contact your dealer's customer service department. For efficient and fast service, please indicate the model number and the parts needed.

**ATTENTION:** Some lettered parts listed on the instruction sheets may not be in the parts bag, they may already be assembled.

### TOOLS REQUIRED

Phillips Screwdriver (Not included)

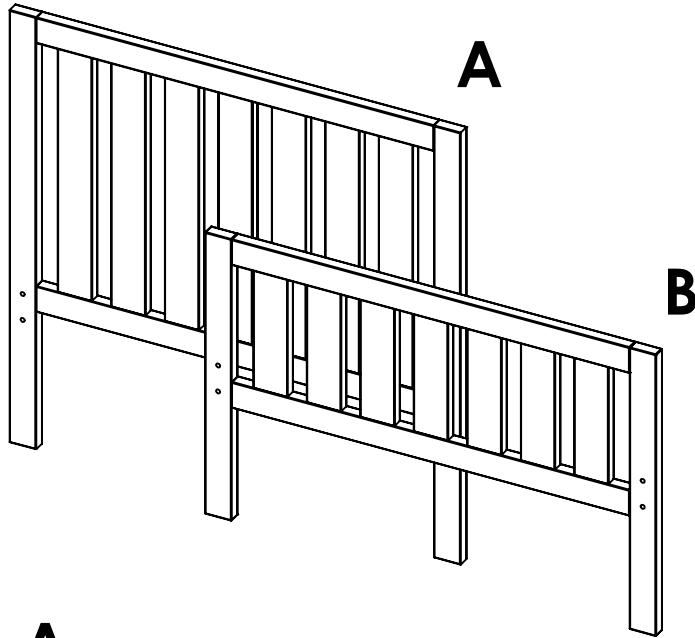
Allen Key (included)



**EACH UNIT SOLD SEPARATELY**

# PART LIST (DONNA Group)

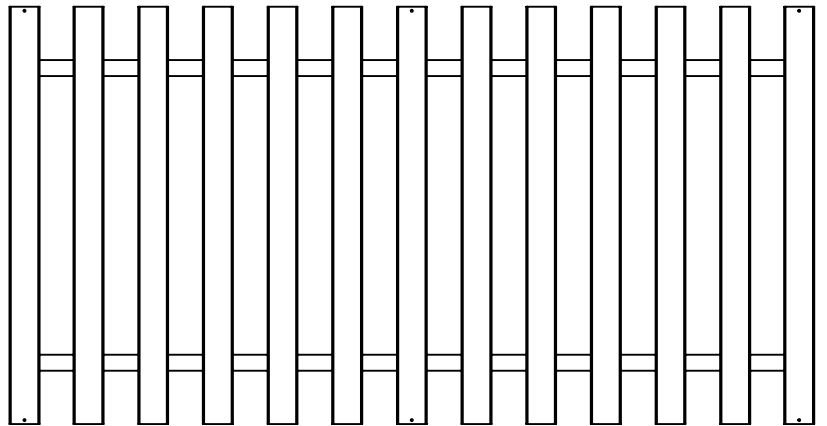
## CARTON #DON-40



- A** Headboard (1 pc)
- B** Footboard (1 pc)

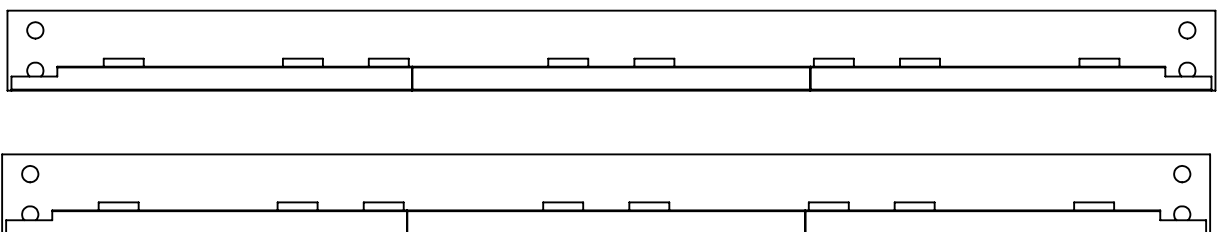
## CARTON #SB-1384B

- C** SLAT ROLL

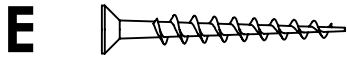


## CARTON #DON61

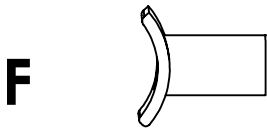
- D** RAIL



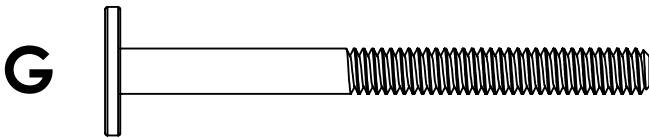
# HARDWARE LIST (DONNA CAPTAIN'S)



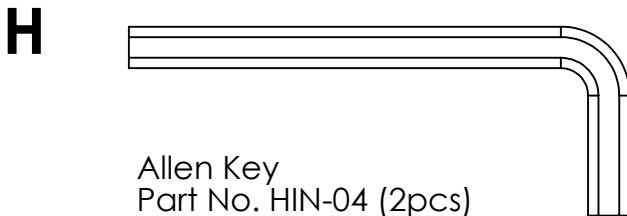
PHILLIPS HEAD SCREW 6 x 1 1/4"  
Part No. HCPF-80 (6 pcs)



JOINT CONNECTOR 1/4-20X 9/16  
Part No. HIN-209 (8 pcs)



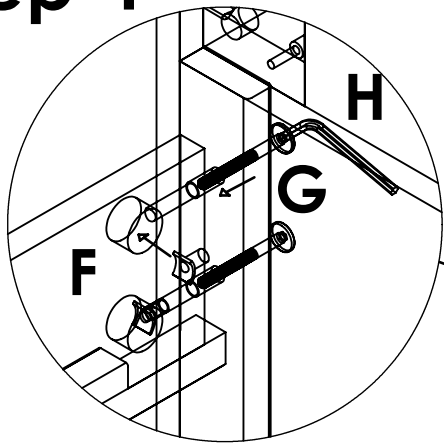
BOLT JCBB 1/4-20X70MM  
Part No. HCPP-70Z (8 pcs)



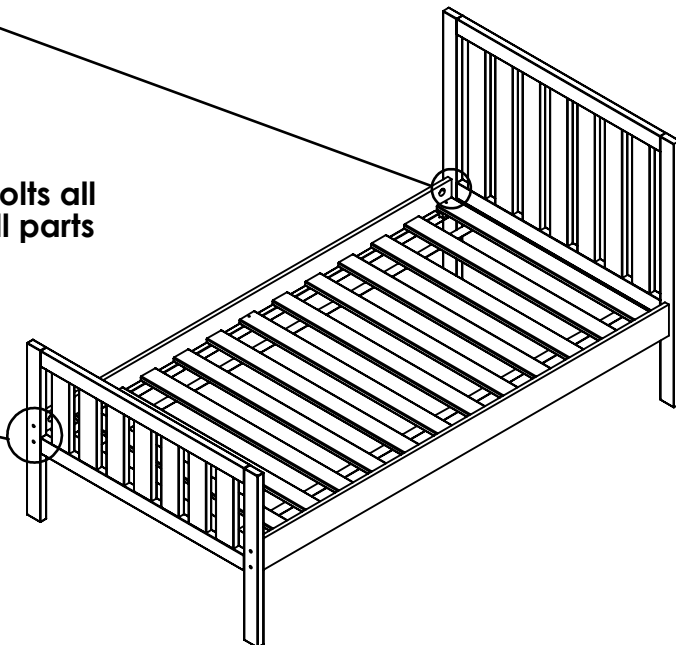
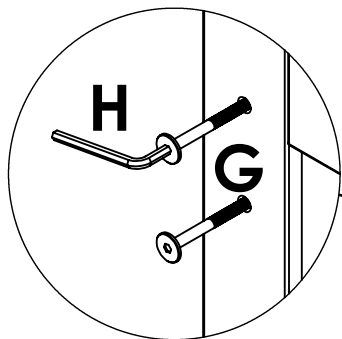
Allen Key  
Part No. HIN-04 (2pcs)

# Step-1

Insert (4) **BOLT (70mm) (G)** into each **HEADBOARD (A)** hole and (4) **Bolt (70mm) (G)** into each **FOOTBOARD (B)** hole. Place (8) **JOINT CONNECTORS(F)** in **RAIL(D)** Holes . Hold the **JOINT CONNECTORS(F)** and tighten until secure with **ALLEN KEY(H)**. See diagram (1).

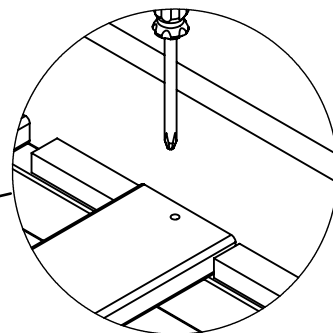
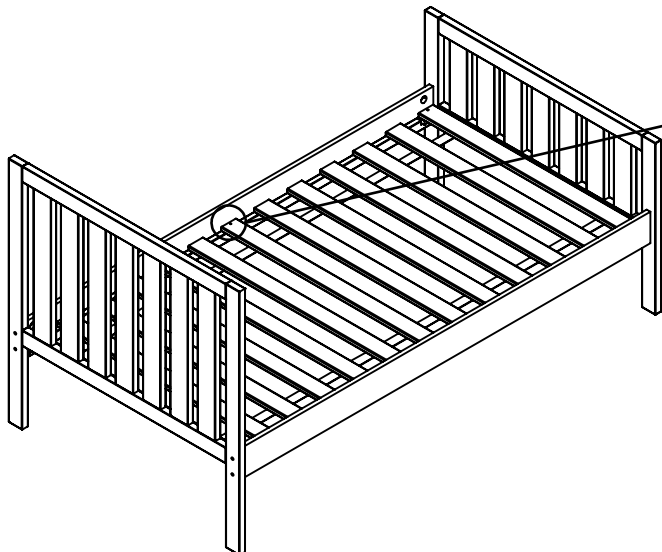


Do not tighten bolts all the way in until all parts are assembled



# Step-2

Carefully place **SLAT ROLL (C)** on **RAILS (D)** and fasten with **1 1/4" SCREW (E)**, as shown in diagram 2.



Screw with a Phillips Screwdriver