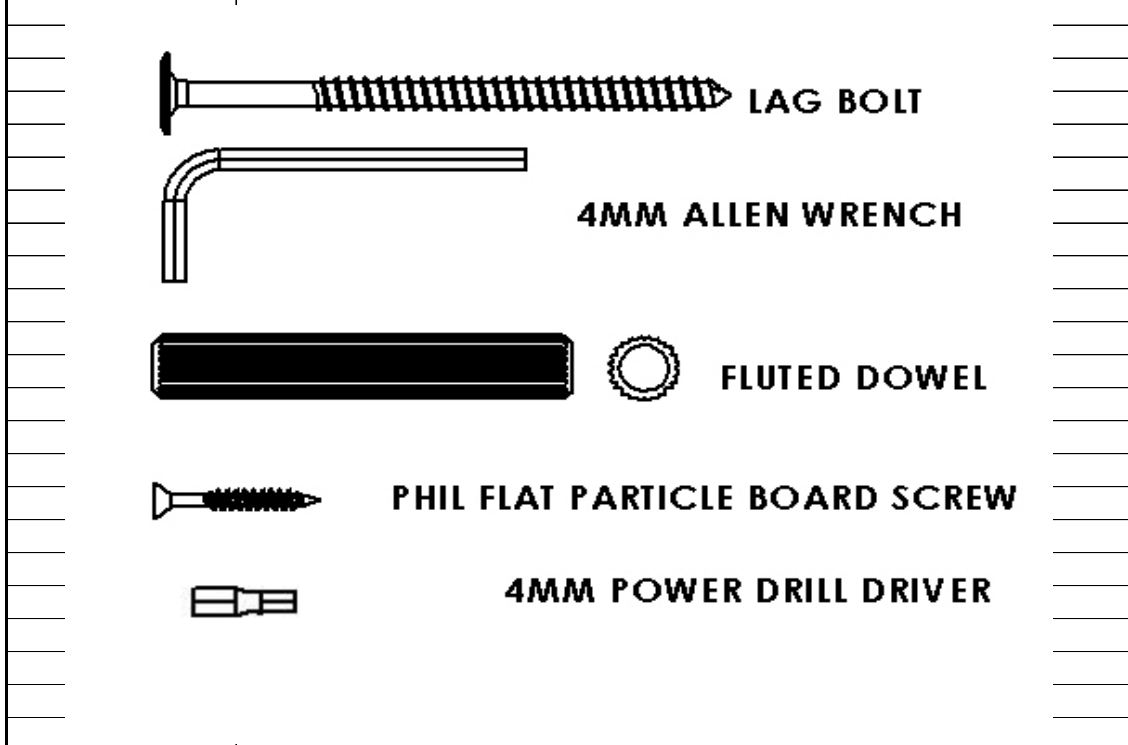


MAS90: 5043-43250	
SUMMIT BUNK FRAME HARDWARE	
QTY:	DESCRIPTION:
32	100MM DECORATIVE HEAD LAG BOLTS
1	4MM ALLEN WRENCH
4	1/2" X 3" FLUTED WOODEN DOWELS
20	6 X 1 1/4" PHIL FLAT PARTICLE BOARD SCREW
1	4MM DRIVER FOR POWER DRILL



ASSEMBLY: 2 PERSONS AND 60 MINUTES

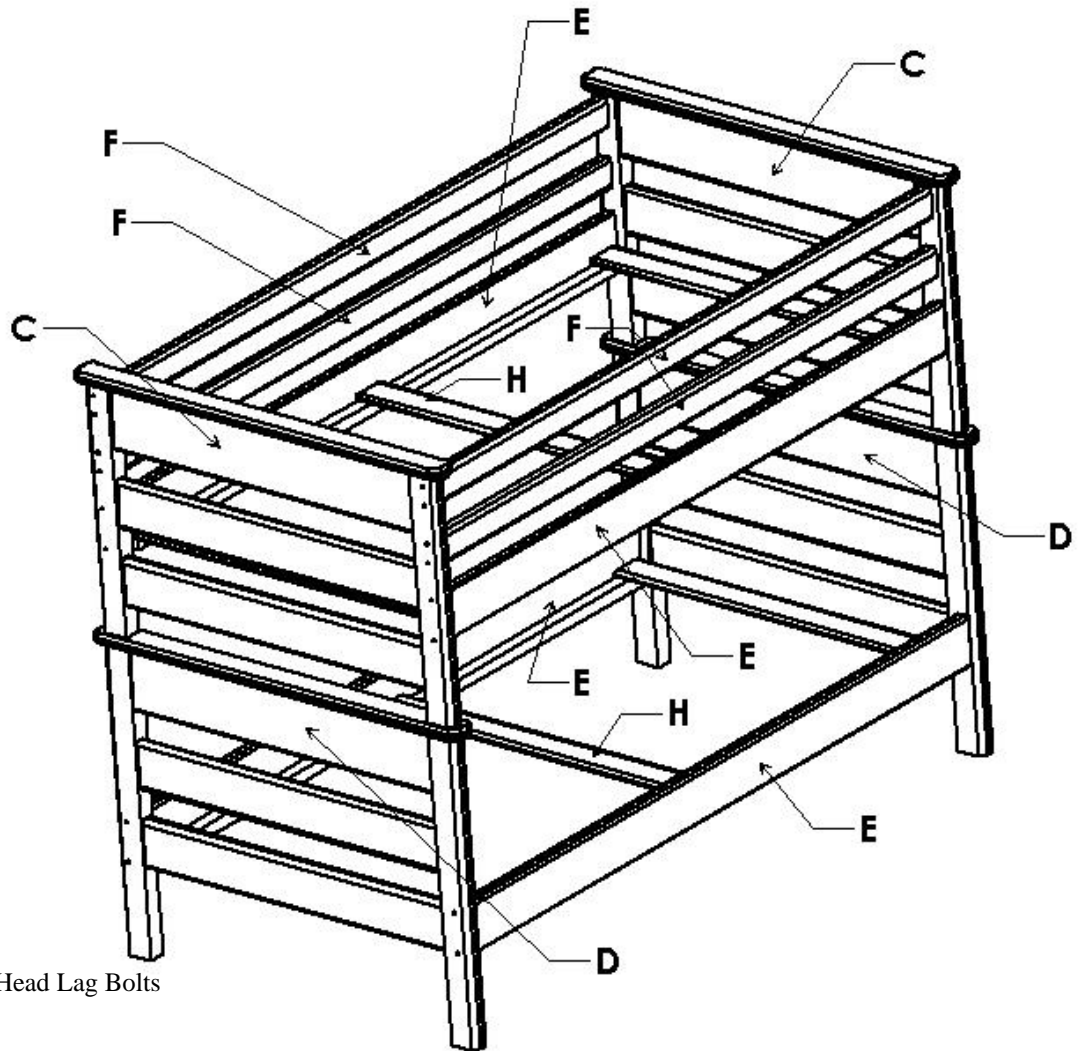
TOOLS:

- 1) 4mm Allen Wrench (Included)
- 2) 4mm Allen Drill bit (Be sure to FULLY SEAT bit into Lag bolt head before turning)
- 3) Phillips head Screwdriver or Drill with Phillips bit

We recommend using a power driver with the drill bit if available

BE SURE THAT LAG BOLTS ARE STARTED INTO THE HOLES ON THE FRAME RAILS DURING ASSEMBLY. DO NOT FULLY TIGHTEN UNTIL ASSEMBLY IS LOSELY COMPLETE.

4670/4671 SUMMIT TWIN/TWIN BUNK



PARTS LIST:

\$	32 - 100mm Decorative Head Lag Bolts
%	1 - 4mm Allen Wrench
&	2 - Top End Assemblies
'	2 - Bottom End Assemblies
(4 - 5" x 75" Mattress Rails w/Support Cleats
)	4 - 3 1/4" x 75" Guard Rails
*	4 - 1/2" x 3" Wooden Dowels
+	6 - 3 1/2" x 38 3/4" Mattress Supports
,	20 - 1 1/4" Wood Screws
-	1 - 4MM Driver for Power Drill

BE SURE THAT LAG BOLTS ARE STARTED INTO THE HOLES ON THE FRAME RAILS DURING ASSEMBLY. START LAG BOLTS INTO ALL RAILS BEFORE TIGHTENING.

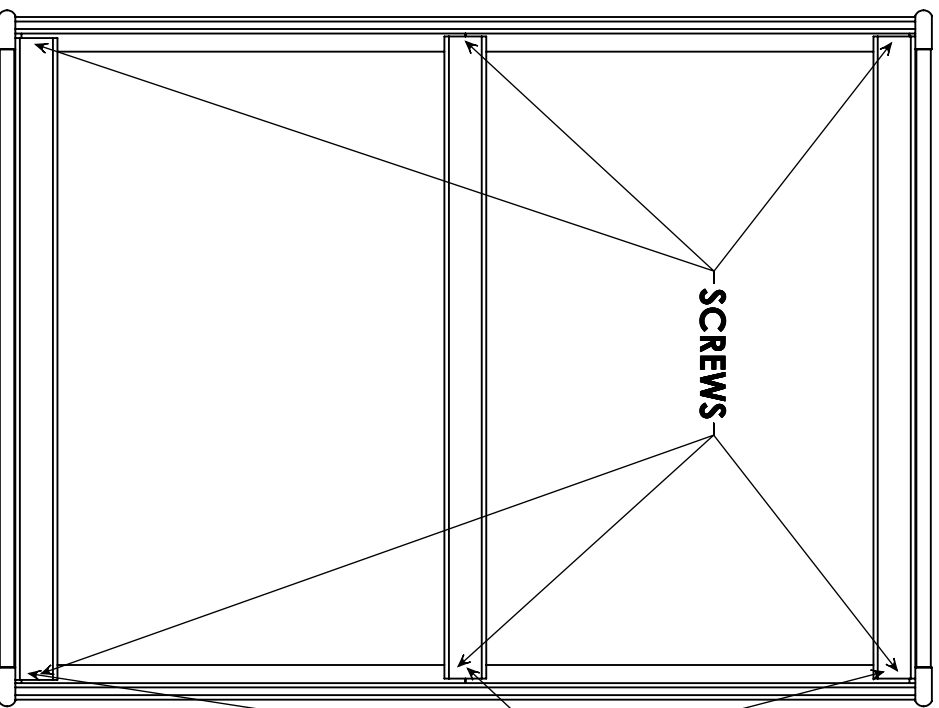
ASSEMBLY INSTRUCTIONS:

Make sure you have all parts before beginning assembly. If you need a part, contact the dealer where you purchased your bed.

- 1) Attach two mattress rails(E) to two bottom end assemblies(D) with 8 lag bolts and tighten.
- 2) Attach two mattress rails(E) and two guard rails(F) to top end assembly with 24 lag bolts and tighten.
- 3) Place four wooden dowels in the four holes in top edge of bottom bunk assembly.
- 4) Place the top bunk assembly on the bottom bunk assembly, ensuring that the dowels are inserted in holes in the top bunk assembly.
- 5) Spread slat roll out across bed frame from end to end. Place wood screws in 4 outside corners with slat pushed tightly up against the bed end. Place 3 loose slats into gaps in slat roll, and screw down with wood screws. See Slat installation information on following pages. This will be done with each of the top and bottom bed surfaces.
- 6) Add proper thickness innerspring bunk mattresses. See dealer for details.

A FOUNDATION IS REQUIRED WITH 3 SLAT CONFIGURATION

When used with a slot roll, the three individual slats should be placed evenly in the gaps and underneath the strapping before fastening.



Installation of individual slats for use with Bunkie Board (Bunkie Board sold separately) See your retailer for purchase of Bunkie Board



Installation of individual slats for use with Slot Roll (Slot roll sold separately) See your retailer for purchase of Slot Roll