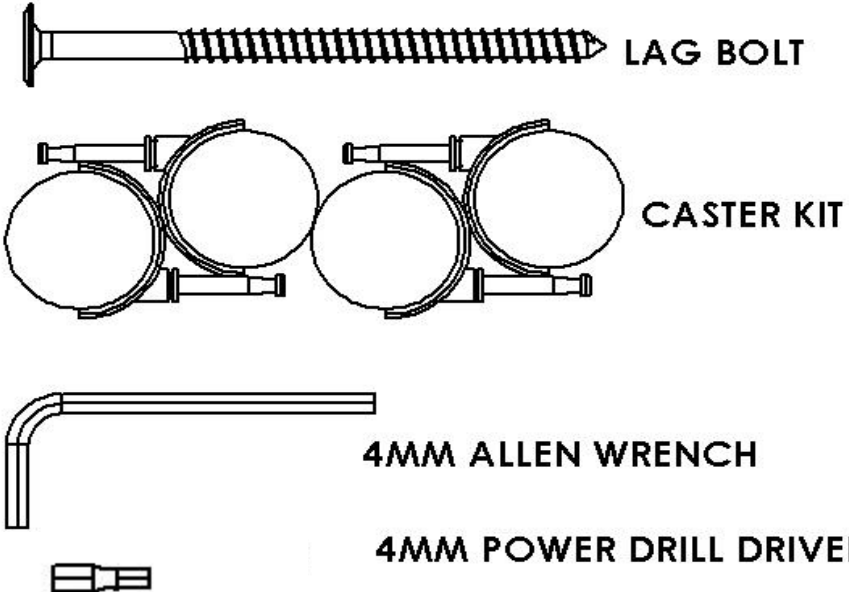


	MAS90: 5043-43384
	SUMMIT TRUNDLE BED HARDWARE
QTY:	DESCRIPTION:
12	100MM DECORATIVE HEAD LAG BOLTS
4	CASTERS WITH INSERT
1	4MM ALLEN WRENCH
1	4MM POWER DRILL DRIVER
	



2 - Cup Pull Handles



4 - 1 1/2" Combo Truss

ASSEMBLY: 1 PERSON AND 45 MINUTES

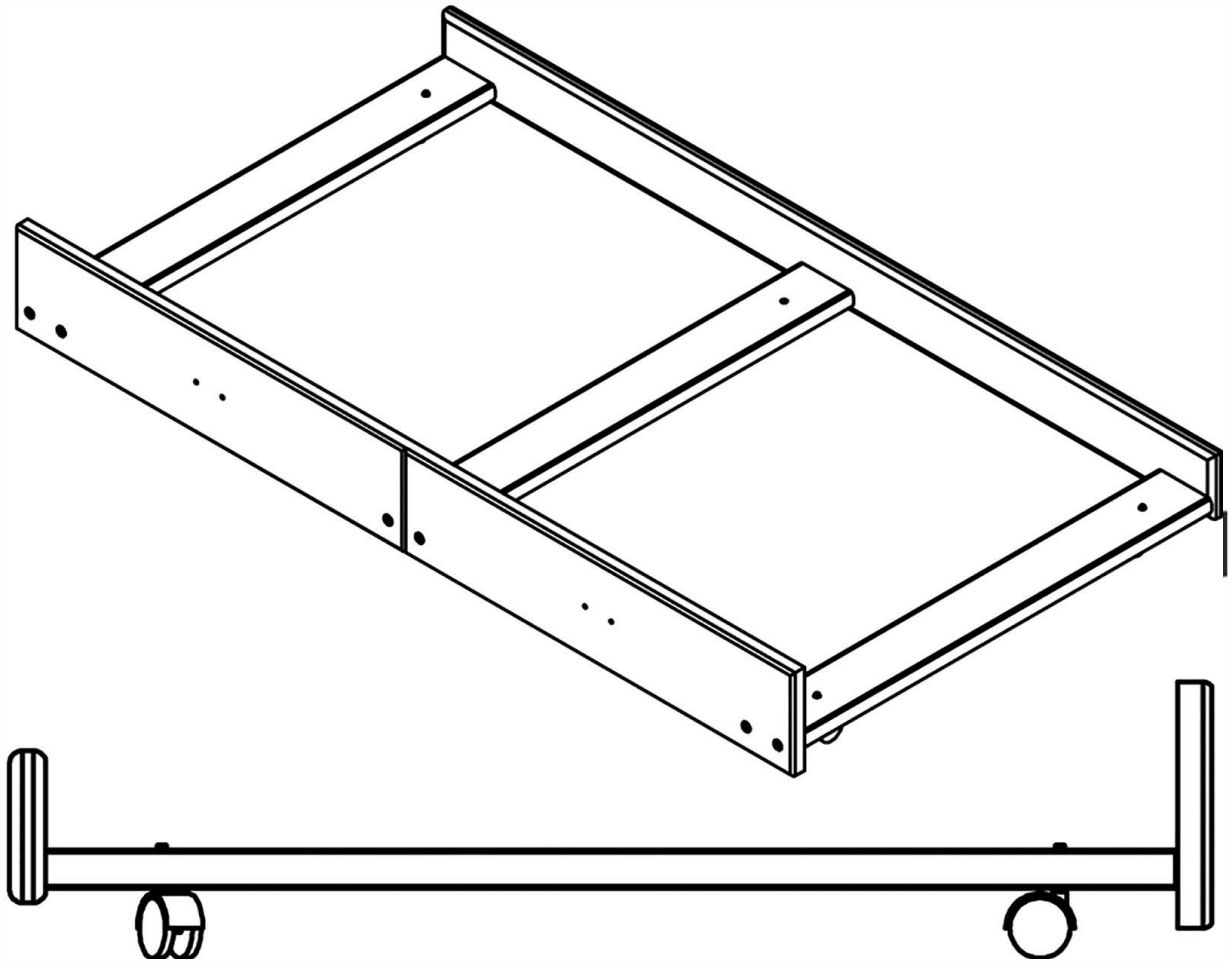
TOOLS:

- 1) 4mm Allen Wrench (INCLUDED)
- 2) 4mm Allen Drill Bit
(Be sure to FULLY SEAT bit into bolt head before turning)
- 3) Phillips Head Screwdriver

We recommend using a power driver with the drill bit if available

BE SURE THAT LAG BOLTS ARE STARTED INTO THE HOLES ON THE FRAME RAILS DURING ASSEMBLY. DO NOT FULLY TIGHTEN UNTIL ASSEMBLY IS LOOSELY COMPLETE

4697 SUMMIT TRUNDLE BED



PARTS LIST:

- A) 1 - Trundle Facia w/ holes for Pull handles
- B) 1 - 74" Back Frame rail
- C) 3 - Cross slats w/ holes for Caster wheels (Note: Casters are not included for the holes in the "center" slat)
- D) 12 - 4" Decorative Lag Bolts
- E) 4 - Casters w/ inserts
- F) 2 - Cup Pull handles
- G) 4 - 1 1/2" Combo Truss screws

ASSEMBLY INSTRUCTIONS:

Make sure you have all parts before beginning assembly. If you need a part, contact the dealer where you purchased your bed.

- 1) Attach the Front facia (A) to the bottom slats (C) using 6 of the 100mm Decorative Lag Bolts (D). Then attach the Back frame rail (B) to the opposite side of the slats using the other 6 - 100mm Decorative Lag Bolts (D).
- 2) Turn Trundle over or upright to install plastic inserts into the bottom side of slats (C)
- 3) Install Caster Inserts into the outside 4 predrilled holes of the slats (C). Push far enough in, that the round plastic stop on the insert is flush with the wood. Install caster by pushing metal post into plastic insert until you feel or hear a "click". Tug on caster, it should stay in the insert. If not, push further.
- 4) Place trundle bed upright with wheels on the floor. Install cup pull handles with 4 Combo Truss screws.
- 5) Lay included bunkie mattress on slats (C) between front facia and back frame rail. Roll under bed.