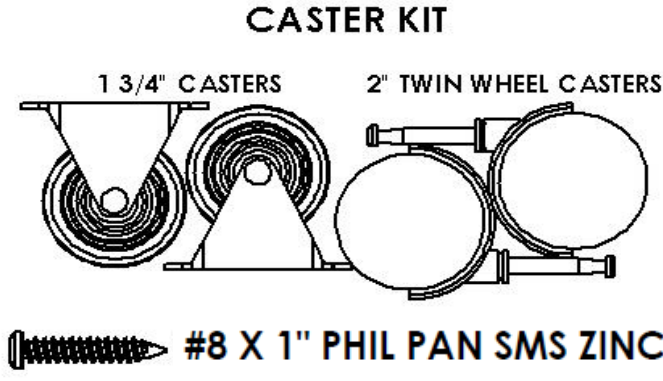
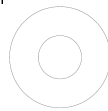
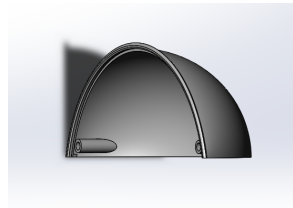


	<b>MAS90: 5043-43383</b>
	<b>BH BV CAPT TRUNDLE CASTER KIT</b>
<b>QTY:</b>	<b>DESCRIPTION:</b>
2	2" TWIN WHEEL CASTERS WITH INSERT
2	1 3/4" CASTERS
8	#8X1" PHIL PAN HEAD ZINC SCREWS
4	3/8" WASHERS
 <p><b>CASTER KIT</b></p> <p>1 3/4" CASTERS      2" TWIN WHEEL CASTERS</p> <p>#8 X 1" PHIL PAN SMS ZINC</p>	



**3/8" WASHER**



**4 - Cup Pulls**



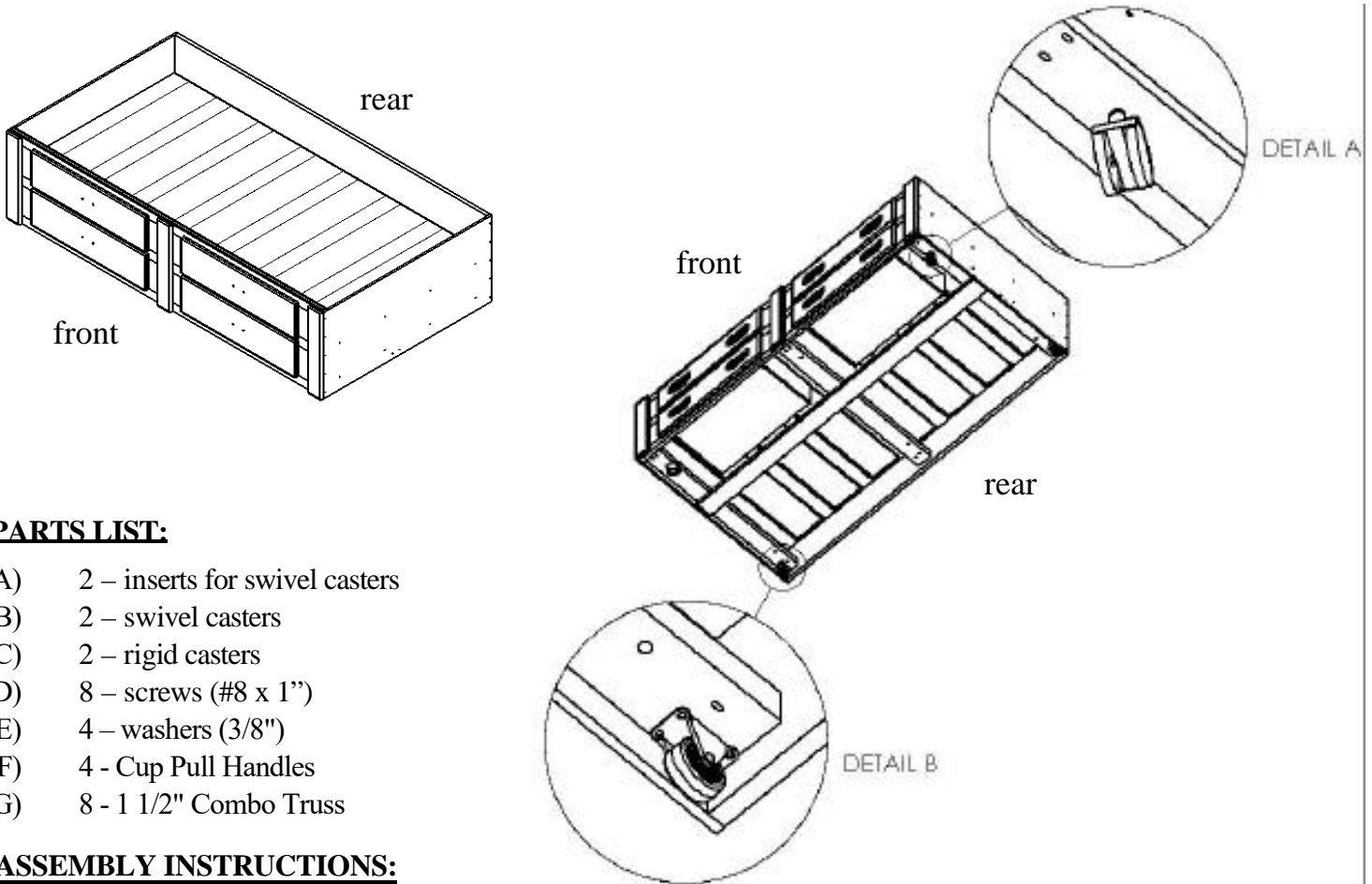
**8 - 1 1/2" Combo Truss**

ASSEMBLY: 1 PERSON AND 30 MINUTES

TOOLS:

- 1) Phillips Screwdriver

**4698 SUMMIT CAPTAIN'S TRUNDLE BED**



**PARTS LIST:**

- A) 2 – inserts for swivel casters
- B) 2 – swivel casters
- C) 2 – rigid casters
- D) 8 – screws (#8 x 1")
- E) 4 – washers (3/8")
- F) 4 - Cup Pull Handles
- G) 8 - 1 1/2" Combo Truss

**ASSEMBLY INSTRUCTIONS:**

**Make sure you have all parts before beginning assembly. If you need a part, contact the dealer where you purchased your bed.**

- 1A) Place the plastic inserts (A) into the holes at the front of the bed. See detail A for location. Push the swivel casters (B) into the inserts. For thick carpet, please refer to step 1B prior to inserting caster wheel into the inserts.
- 1B) For deeper carpet, place 2 washers (E) over each stem of the swivel casters (B) before pushing them into the plastic inserts (A). This will allow the front of the bed to sit higher and not drag on the carpet when pulling out. **CHECK TO MAKE SURE THAT THE CASTERS ARE ABLE TO LOCK INTO THE INSERTS WITH THE WASHERS IN PLACE.**
- 2) Place the rigid casters (C) into the rear corners of the bed as shown in detail B. Attach using 4 screws (D) for each caster.
- 3) Install 4 cup pulls on drawer fronts with 8 1 1/2" screws