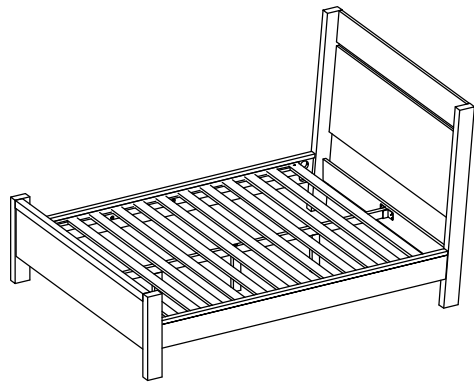




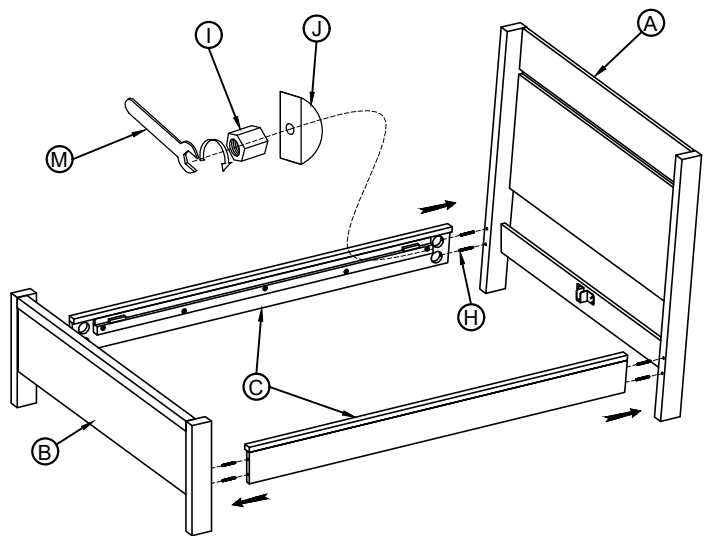
LIVING SPACES

A	HEADBOARD		x 1
B	FOOTBOARD		x 1
C	RAIL		x 2
D	CENTER SUPPORT		x 1
E	SUPPORT LEGS		x 3
F	SLATS (EACH)		x 12
G	ALLEN BOLT (5/16 x 60 mm)		x 3
H	ALL THREAD BOLT (5/16 x 90 mm)		x 8
I	HEX NUT (5/16 x 18 mm)		x 8
J	HALF MOON WASHER (5/16 x 28 mm)		x 8
K	WOOD SCREW (30 mm)		x 4
L	ALEN KEY (M4)		x 1
M	WRENCH		x 1

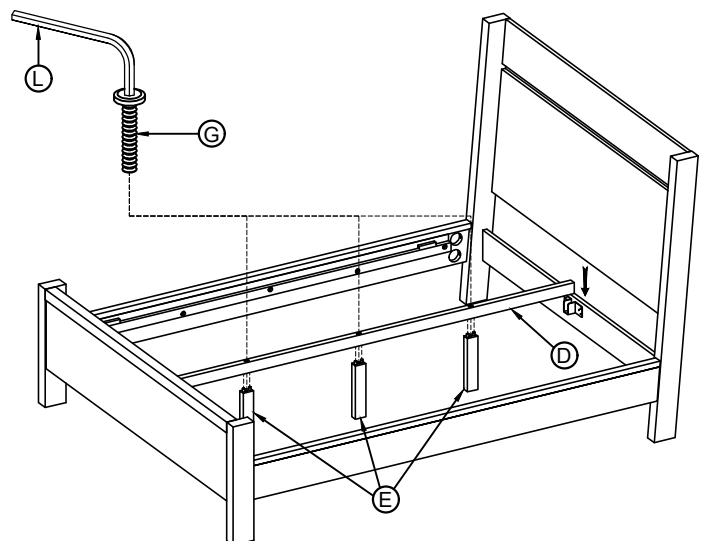


6D7MH5
SLATER QUEEN BED

①

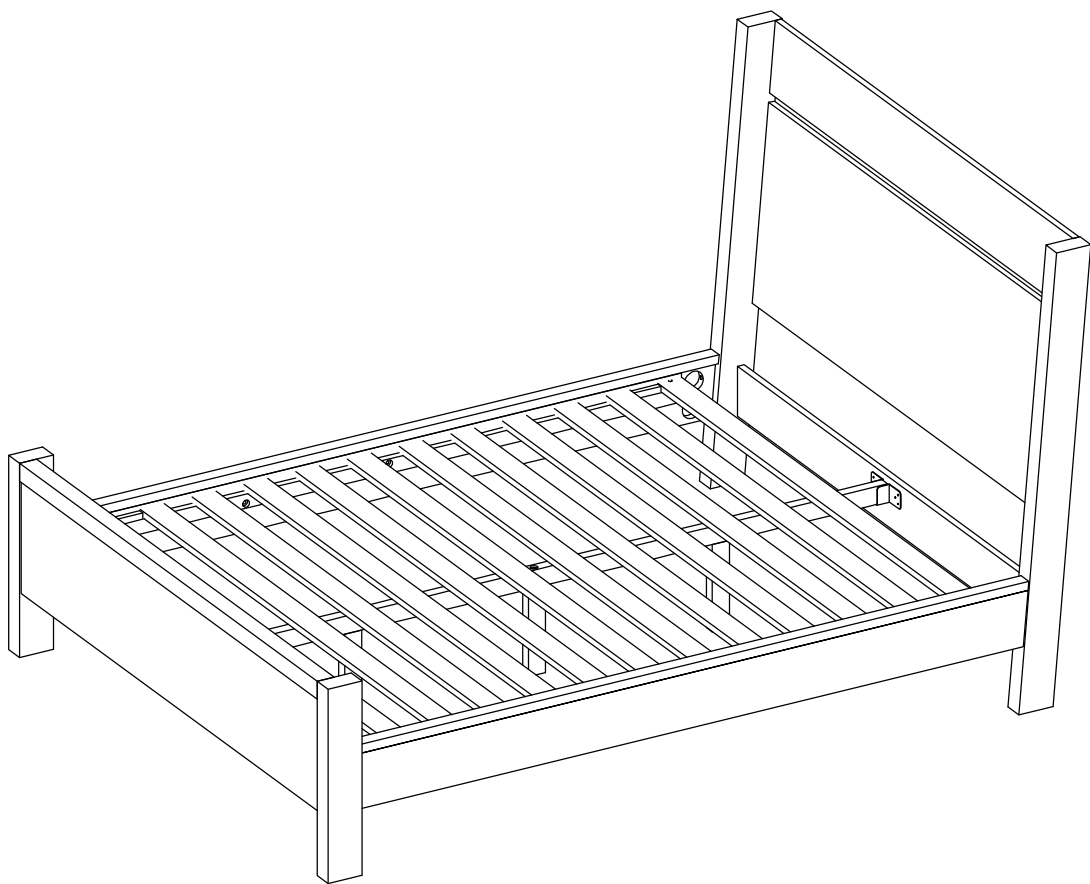
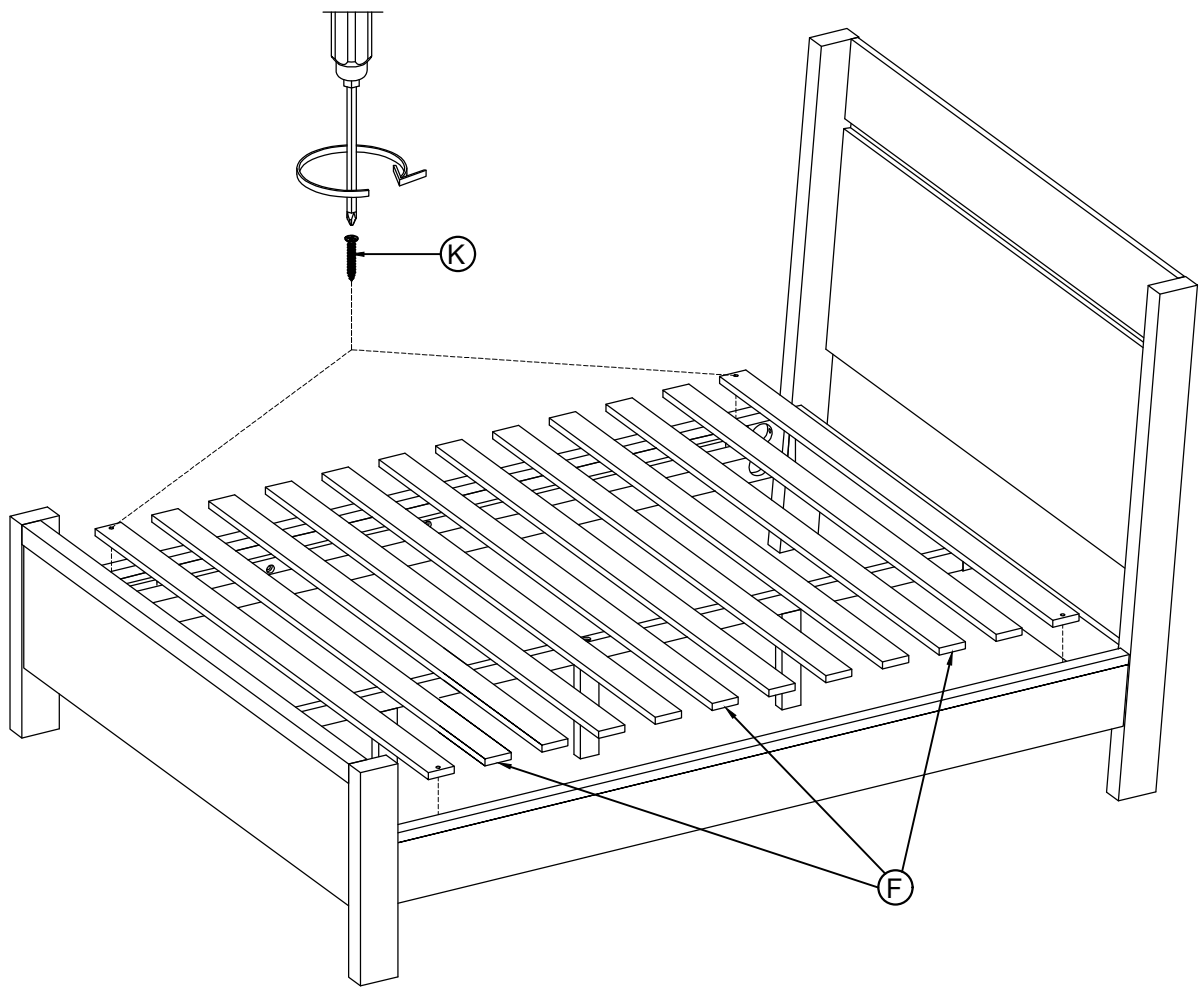


②



Not provided

3



ASSEMBLY COMPLETE