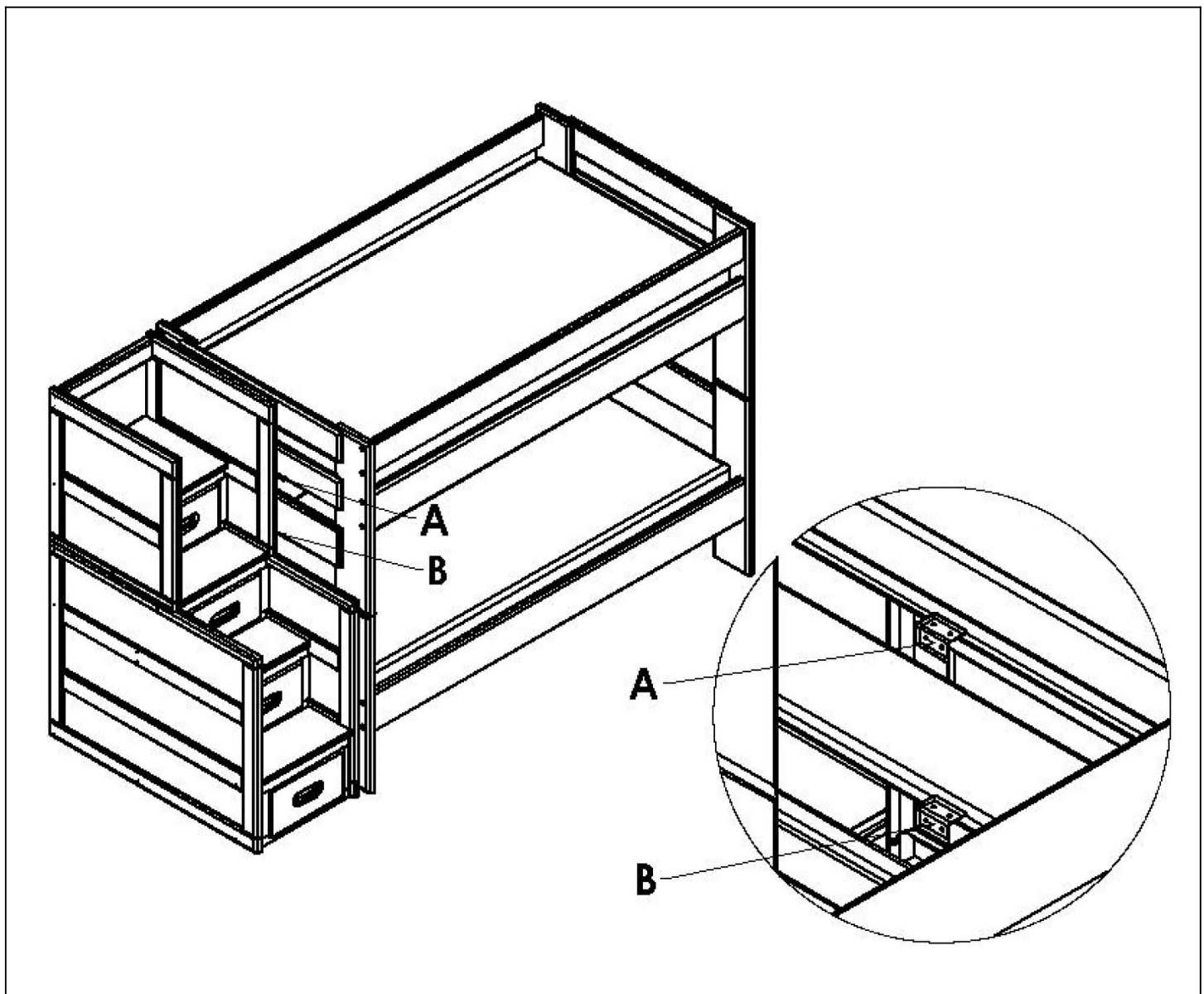


STAIRWAY CHEST WITH BUNK BED



The stairway chest has been designed for use as a free standing unit. However for your convenience, if you desire to attach the stairs to your bunk bed we have included four 2" angle brackets. We recommend using these to attach the top center side vertical of the stairway unit to one or two of the end cross members or side rails of the bunk depending on how you position the stairway. The illustration above demonstrates how the top center vertical might align with the end cross members of a standard Bunk Bed.

PARTS LIST:

- A) 2-2" Angle Brackets
- B) 8-1 1/4" Philips pan head screws

TOOLS REQUIRED:

- 1) Phillips Head Screwdriver