

MAS90: 5043-43381	
TRUNDLE BED HARDWARE	
QTY:	DESCRIPTION:
12	1/4" X 4" LAG BOLTS BLACK
12	3/16" WASHER BLACK
4	CASTERS WITH INSERT



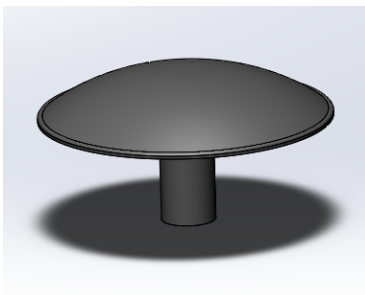
LAG BOLT



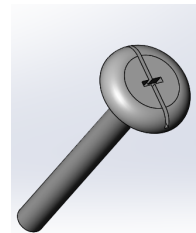
WASHER



CASTER KIT



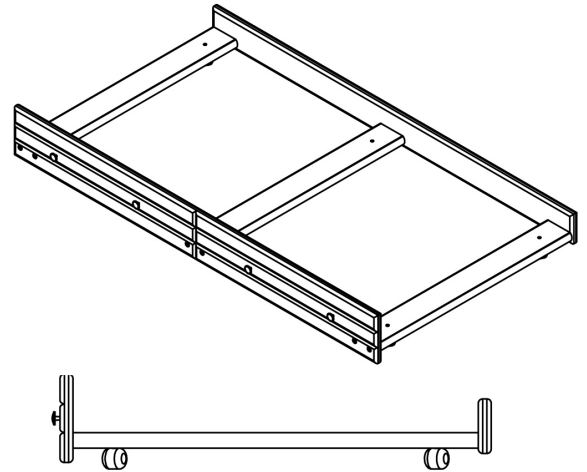
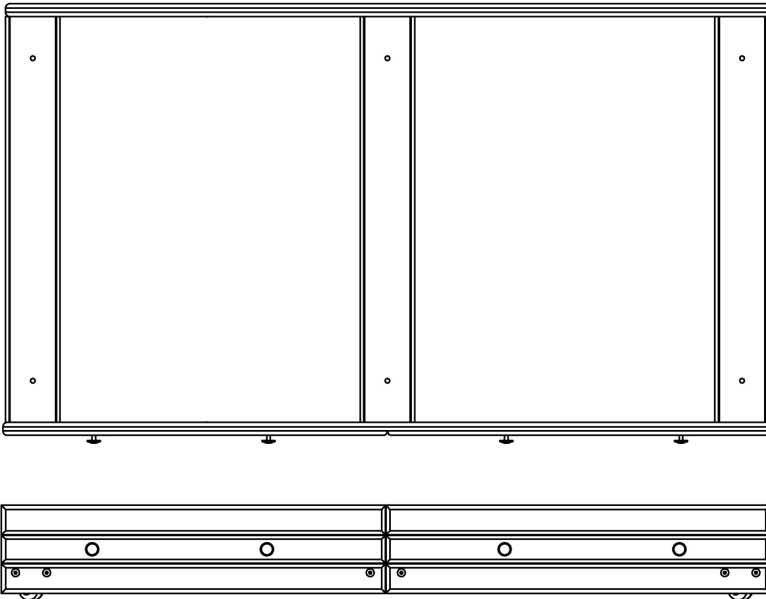
4 - Antique Brass Knobs



4 - 1 1/2" Screws

TRUNDLE BED

7030-00335



PARTS LIST:

- A) 1 -Trundle Fascia
- B) 1 -Back Rail
- C) 3 -Bottom Slats
- D) 12-4" Lag Bolts (4" Decorative for LAGUNA)
- E) 12-Washers
- F) 4 -Casters with inserts

***NOTE: CASTERS HAVE INSERTS WHICH MUST BE DRIVEN FLUSH WITH THE HOLES DRILLED, BEFORE THE CASTERS ARE INSERTED. ATTEMPTING TO DRIVE THE INSERTS IN WITH THE CASTER WHEELS MAY RESULT IN DAMAGE TO THE WHEELS

TOOLS REQUIRED:

- 1) 7/16" Wrench or Socket Wrench
- 2) Phillips Head Screwdriver

NOTE: Tool recommended: Electric driver with 7/16" socket

ASSEMBLY INSTRUCTIONS:

NOTE:

Make sure you have all parts before beginning assembly. If you need a part, contact the dealer where you purchased your bed.

- 1.) Attach the front trundle fascia (A) to the bottom slats (C) using the 6 each 4" lag bolts and washers. Then attach the back rail (B) to the fascia and slats assembly using the remaining 6 each 4" lag bolts and washers.
- 2.) Attach inserts for the casters into the predrilled holes in the bottom slats. Insert the casters in these caster inserts. Middle bottom slat does not get casters. Assembly will be complete.