



MAGNOLIA  
HOME

BY JOANNA GAINES

# ASSEMBLY INSTRUCTIONS


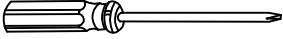
GROUP NO.35000007 ARCHITECTURAL BR


ITEM NO . 3570207S NIGHTSTAND,3 DRAWER -SALVAGE

## Read instruction carefully prior to assembly.

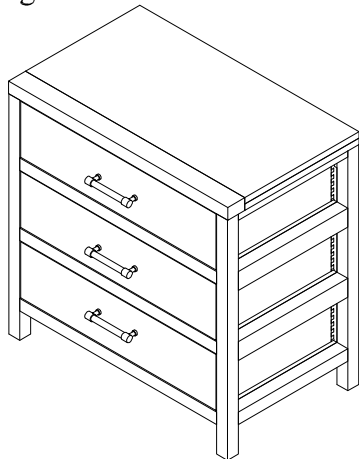
Thank you for purchasing this quality product. Check carefully for small parts which may come loose during shipment. Remove all components from pack and place top down on soft surface such as carpet or cloth to prevent scratching the finish. Identify and count all parts as specified below.

**It is recommended to use two or more persons during the assembly process.**

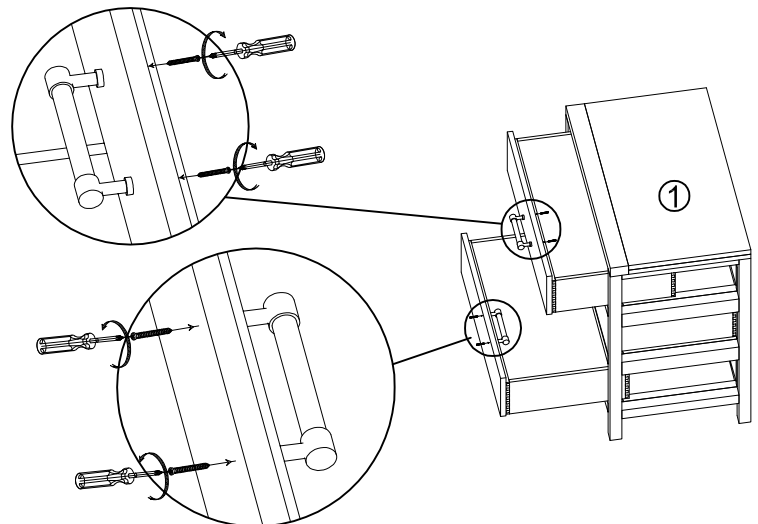
PARTS LIST			
No.	Description		Qty
A		Tipping restraint	1Set
Tool Required Phillips Screw Driver (Not Provided) 			

PARTS LIST			
No.	Description	Sketch	Qty
1	NIGHTSTAND		1 Unit

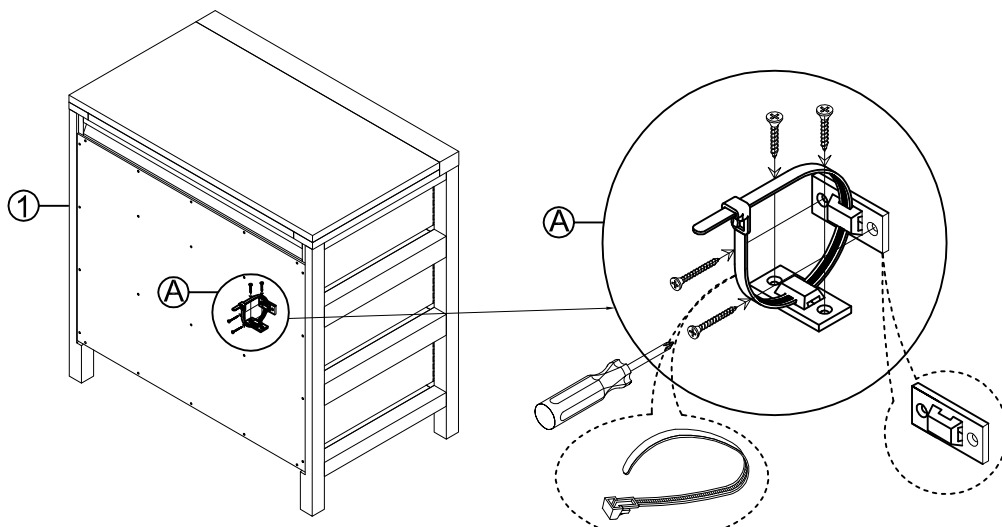
**Notice:** The furniture tipping restraint is stapled at the back of Nightstand



**STEP 1** Open each of drawer then turn the handles from inside box to outside by using Screw Driver



**STEP 2**



The tipping restraint must be attached at back of Nightstand , above and on the right or left  
Cleaning instructions: clean using soft cloth