

# ROWAN STORAGE BED

## FULL/ QUEEN/ E.KING SIZE

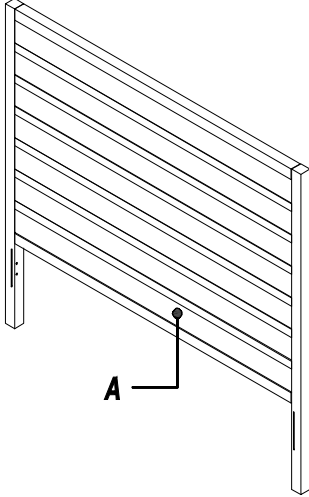
### ASSEMBLY INSTRUCTIONS



#### PARTS AND FITTING PACKAGING DETAIL

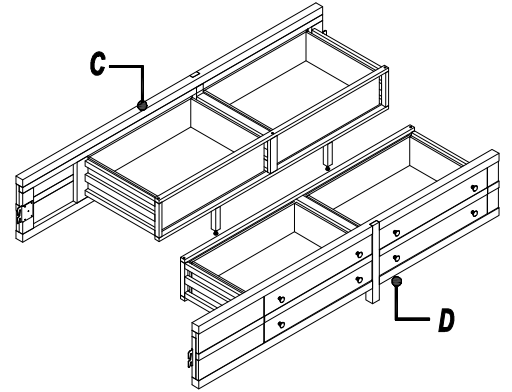
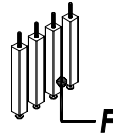
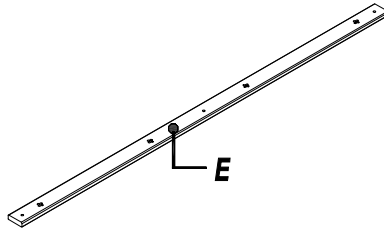
#### BOX #1

**A. HEADBOARD 1 PC**



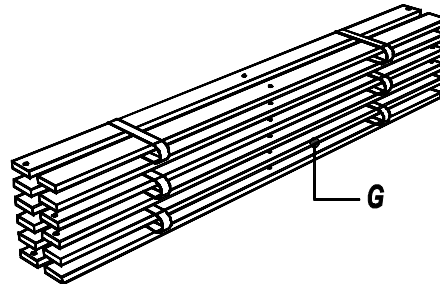
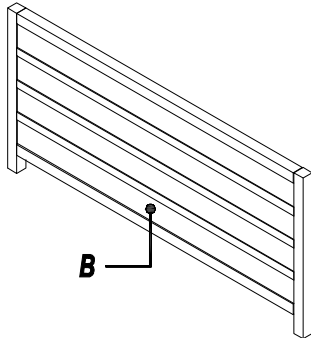
#### BOX #3

**C. LEFT STORAGE KIT 1 PC**  
**D. RIGHT STORAGE KIT 1 PC**  
**E CENTER SLAT 1 PC**  
**F. LEG SUPPORT 4 PCS**  
**G. SLAT ROLL 1PC (12 SLATS)**  
**HARDWARE BOX \***

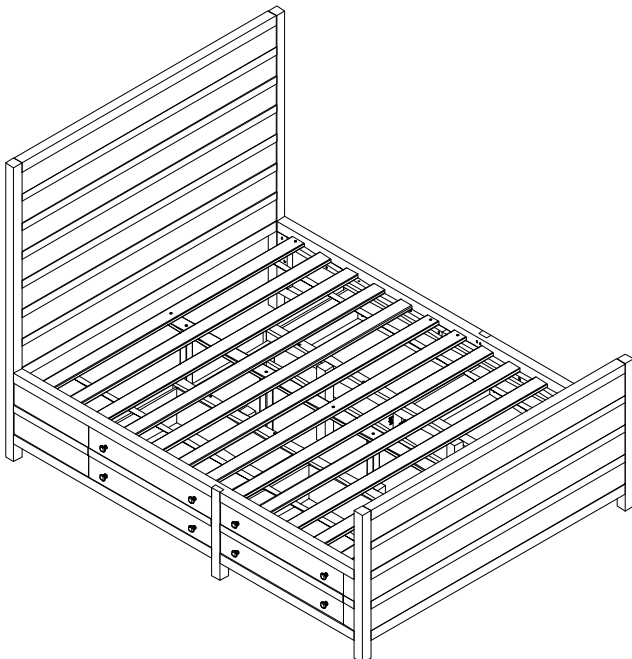


#### BOX #2

**B. FOOTBOARD 1 PC**

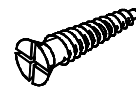


#### ROWAN FULL/ QUEEN/ E.KING STORAGE BED ASSEMBLED



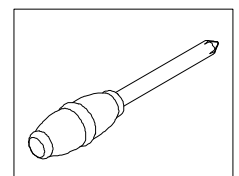
#### HARDWARE PACKED IN BOX #3

1	WOOD SCREW Ø4X30MM	27 PCS
---	--------------------	--------



**YOUR BOX  
MAY CONTAIN  
EXTRA HARDWARE**

**TOOL REQUIRED :**  
**PHILLIPS HEAD SCREW  
DRIVER (NOT PROVIDED)**

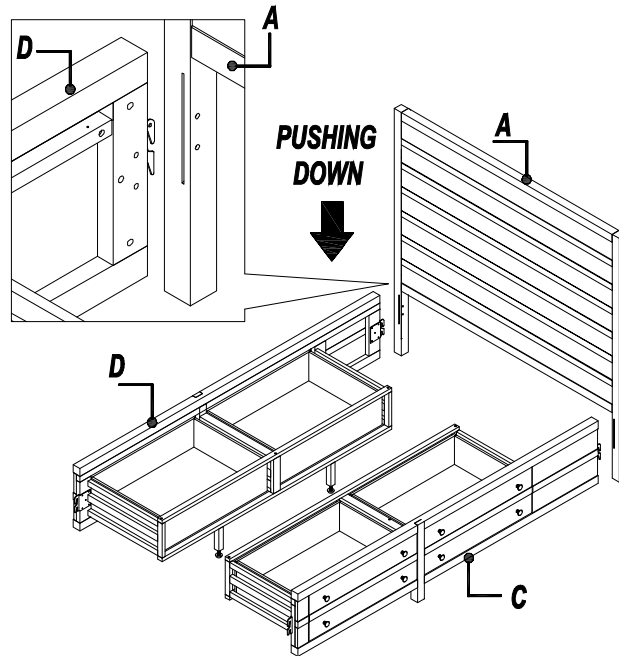


# ROWAN STORAGE BED

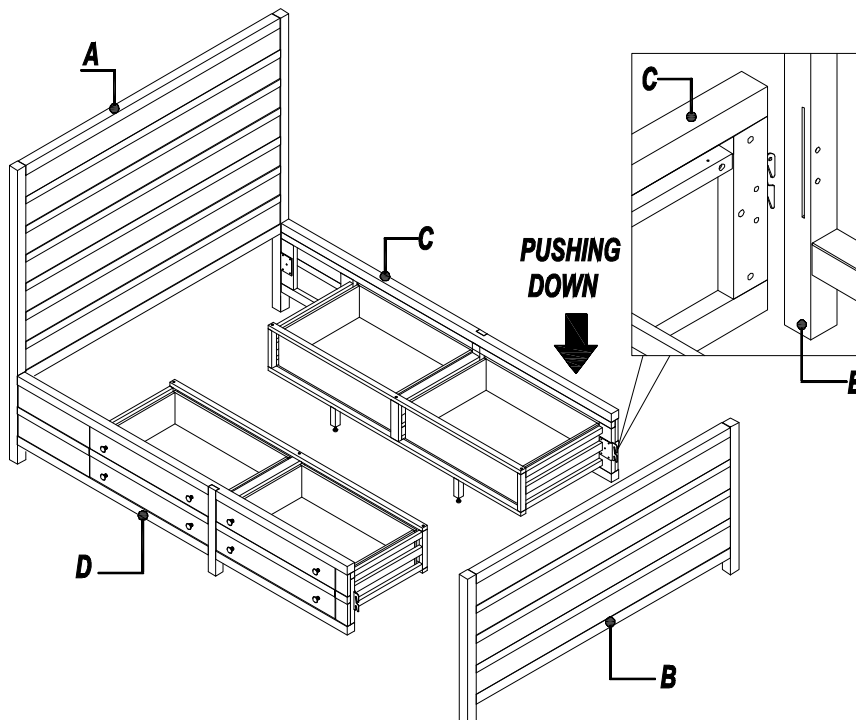
## FULL/ QUEEN/ E.KING SIZE

### ASSEMBLY INSTRUCTIONS

#### STEP 1:



#### STEP 2:

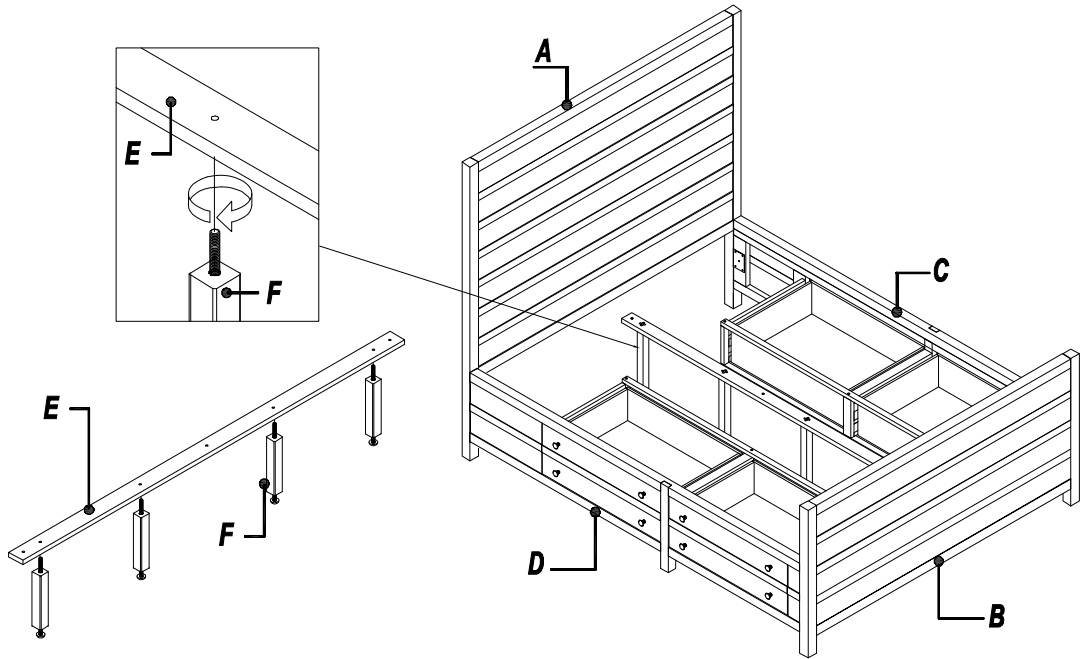


# ROWAN STORAGE BED

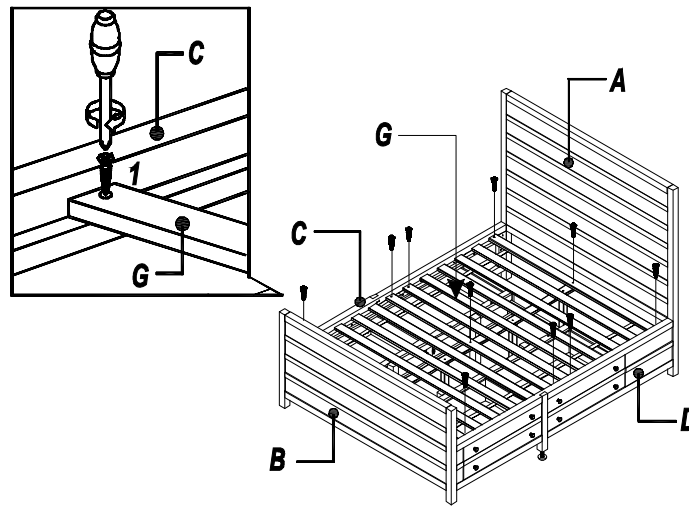
## FULL/ QUEEN/ E.KING SIZE

### ASSEMBLY INSTRUCTIONS

#### STEP 3 :



#### STEP 4 :

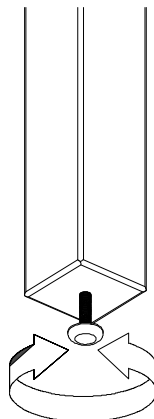


#### INSTRUCTIONS FOR ADJUSTING LEVELERS :

POSITION THE BED IN YOUR ROOM.  
LOCATE LEVELERS UNDER EACH  
LEG SUPPORT.

TURN COUNTER-CLOCKWISE TO  
EXTEND, CLOCKWISE TO CONTRACT.

ADJUST LEVELERS UNTIL EACH LEG  
SUPPORT IS APPLYING EQUAL UPWARD  
PRESSURE ON THE CENTER SLAT.



#### MAINTENANCE INSTRUCTIONS :

- REMOVE BOX SPRING AND MATTRESS BEFORE MOVING YOUR BED.
- LIFT YOUR BED WHEN MOVING IT. DRAGGING CAN DAMAGE CENTER SUPPORT.
- READJUST LEVELERS AFTER MOVING YOUR BED.