



# LIVING SPACES

## ASSEMBLY INSTRUCTIONS

ITEM 305-P156242

### Gathering Table

Thank you for purchasing this quality product. Be sure to check all packing material carefully for small hardware which may have come loose inside the carton during shipment. Identify and count all hardware and compare with the hardware list below.

When placing furniture on non-carpeted flooring, HMI recommends the use of floor protection such as an area rug or furniture pads. Area rugs and padding not included with purchase.

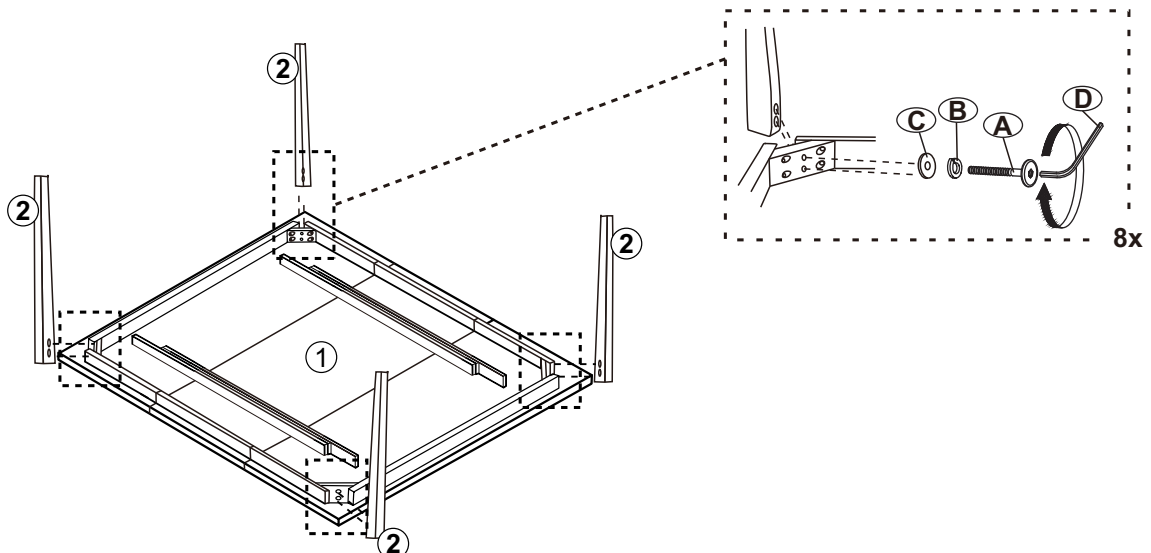
### PARTS LIST

No.	Description	Sketch	Quantity
1	Table Top		1pc
2	Table Legs		4pcs
3	Top Leaf		1pc

### HARDWARE LIST

No.	Description	Sketch	Quantity
A	JCBC Screw M8 x 70mm		8pcs
B	Spring Washer M8 x 13mm Ø		8pcs
C	Flat Washer M8 x 22mm Ø		8pcs
D	Allen Key M5 x 65mm		1pcs

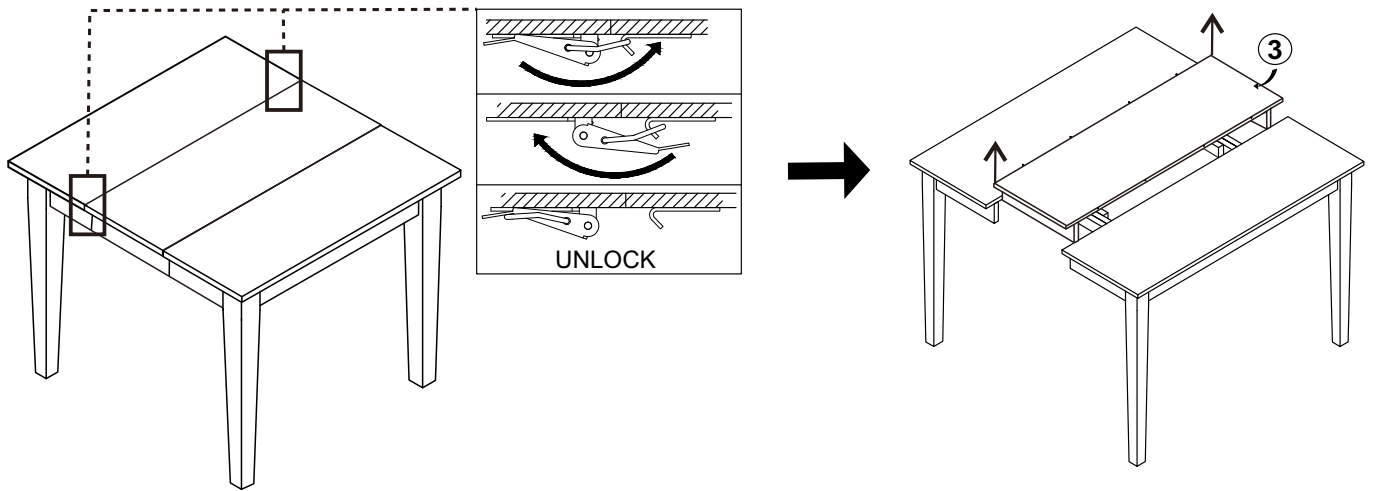
### STEP 1



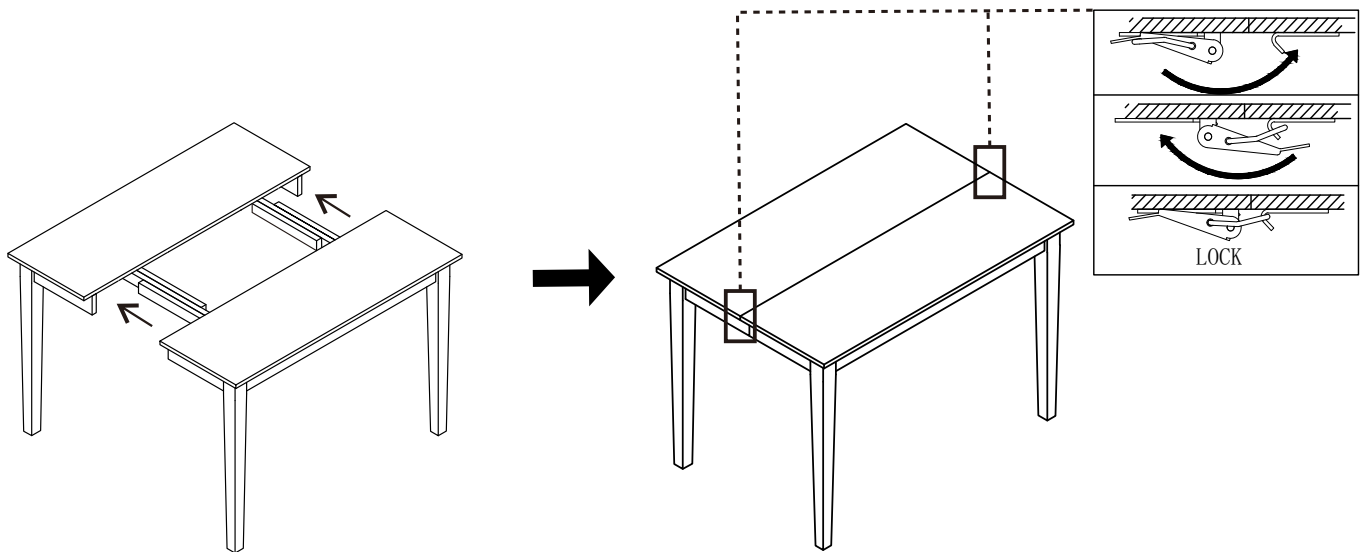


# LIVING SPACES

## STEP 2



## STEP 3



## COMPLETE

