

ROWAN MIRROR

ASSEMBLY INSTRUCTIONS



PARTS AND PACKING DETAIL

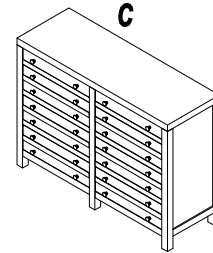
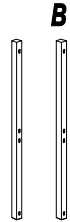
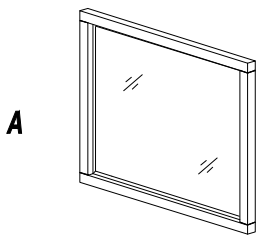
BOX #1

- A. MIRROR: 1 PC
- B. MIRROR SUPPORTS: 2 PCS

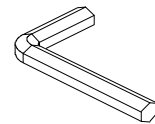
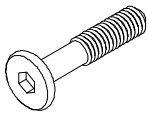
CONTAINS
HARDWARE POUCH

BOX #2 (SOLD SEPARATELY)

- C. DRESSER: 1 PC



1	ALLEN BOLT (M6x50)	8 PCS	2	FLAT WASHER (M6)	8 PCS	3	ALLEN KEY (M4)	1 PC
---	--------------------	-------	---	------------------	-------	---	----------------	------

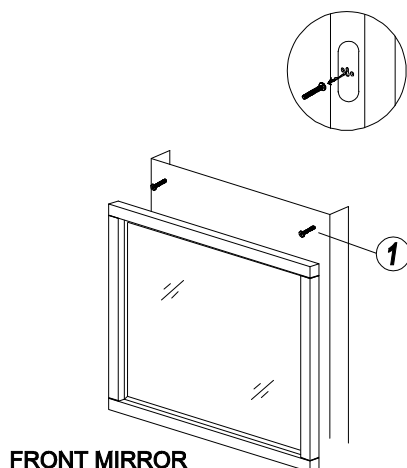


WARNING: FOR YOUR SAFETY AND CONVENIENCE, ASSEMBLY BY TWO PEOPLE IS RECOMMENDED

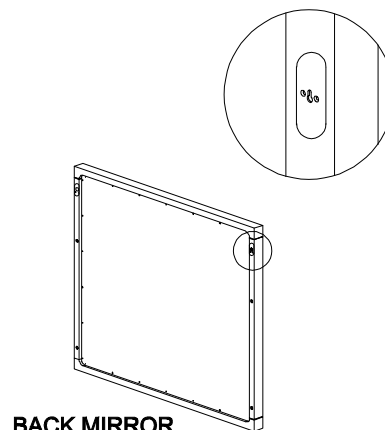
ATTACHING MIRROR TO WALL

INSTALL MOUNTING HARDWARE (NOT PROVIDED) INTO THE WALL WHERE YOU WOULD LIKE TO HANG THE MIRROR. MAKE SURE THE DISTANCE BETWEEN THE MOUNTING HARDWARE ON THE WALL MATCHES THE DISTANCE BETWEEN THE MOUNTING BRACKETS ON THE MIRROR. TEST THE CONNECTION OF THE MOUNTING BRACKET TO THE MIRROR BEFORE USING.

NOTE! WE RECOMMEND INSTALLING THE MOUNTING HARDWARE INTO WALL STUDS OR A BOARD THAT IS SECURED TO THE STUDS. CONSULT A PROFESSIONAL INSTALLER BEFORE MOUNTING TO DRYWALL.



FRONT MIRROR



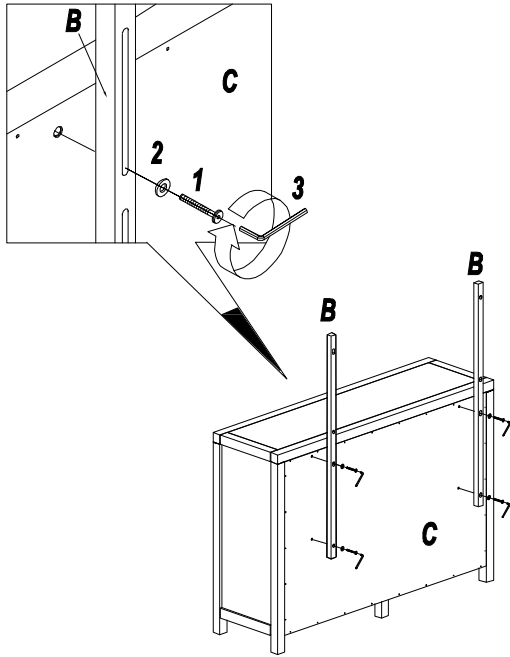
BACK MIRROR

ROWAN MIRROR ASSEMBLY INSTRUCTIONS



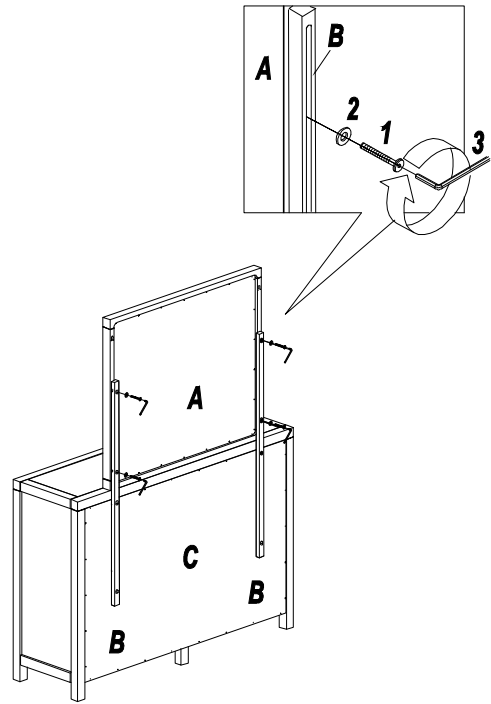
DRESSER MOUNTING

STEP 1: ATTACH MIRROR SUPPORTS (B) TO DRESSER (C) WITH FOUR ALLEN BOLTS (1) AND FLAT WASHERS (2). ONLY FINGER TIGHTEN BOLTS.



STEP 2:

ATTACH MIRROR (A) TO INSTALLED SUPPORTS WITH FOUR ALLEN BOLTS AND FLAT WASHERS. TIGHTEN ALL BOLTS, INCLUDING BOLTS FROM STEP 1, COMPLETELY WITH ALLEN KEY (3).



DRESSER MOUNTING ASSEMBLY COMPLETE

