

ASSEMBLY INSTRUCTIONS

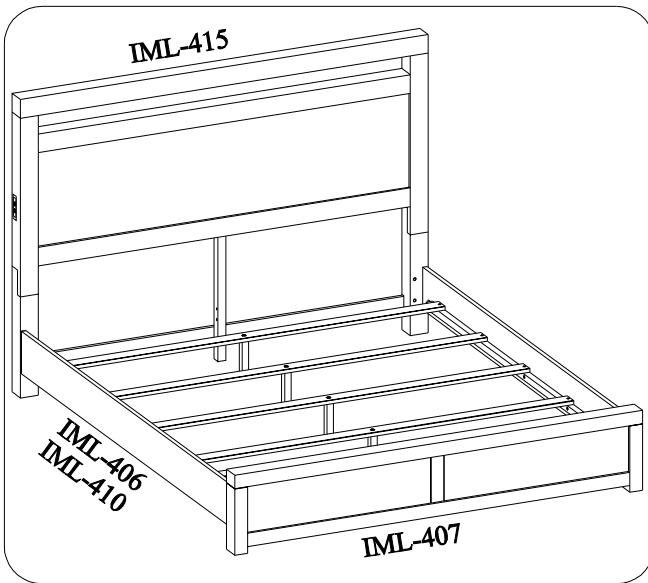
ITEM NO: IML-415-GRY/BRN King Panel HB
IML-406-GRY/BRN King Rails
IML-407-GRY/BRN King Low Profile FB
IML-410-GRY/BRN Cal King Rails
IAML-415-GRY/BRN King Panel HB

Thank you for purchasing this quality product. Be sure to check all packing material carefully for small parts that may come loose inside the carton during shipment.



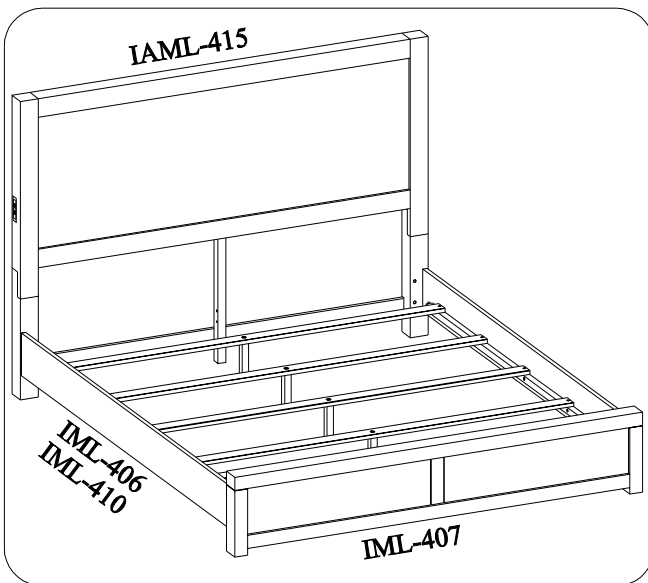
UNIT SHOULD BE INSTALLED BY 2 OR MORE PERSONS.

IML King/Cal King Panel Bed



All Beds need to be set up in the exact final location so that after full assembly it will not need to be moved. Moving the bed will cause the support legs to move out of perpendicular (90 degree), weaken the support system, and may allow the bed to collapse.

IAML King/Cal King Panel Bed



BEFORE USING THIS PRODUCT PLEASE READ, UNDERSTAND, AND FOLLOW THESE INSTRUCTIONS.
Save these instructions for future reference.

FOR INDOOR USE ONLY





ASSEMBLY INSTRUCTIONS

ITEM NO: IML-415-GRY/BRN King Panel HB
 IML-406-GRY/BRN King Rails
 IML-407-GRY/BRN King Low Profile FB
 IML-410-GRY/BRN Cal King Rails
 IAML-415-GRY/BRN King Panel HB

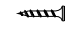





TOOLS REQUIRED (NOT PROVIDED)

PHILLIPS SCREWDRIVER






HARDWARE LIST: IML-415 / IAML-415

No.	Description	Sketch	Quantity
A	Bolt $\varnothing 5/16" \times 2"$		12 PCS
B	Lock Washer $\varnothing 5/16"$		12 PCS
C	Flat Washer $\varnothing 5/16" \times 3/4"$		12 PCS
D	Allen Wrench 5/16"		1 PC






HARDWARE LIST: IML-406/410

No.	Description	Sketch	Quantity
E	Wood Screw M4*1-1/4"		10 PCS
F	Bolt $\varnothing 5/16" \times 3-1/2"$		8 PCS
G	Half Moon Washer $\varnothing 5/16"$		8 PCS
H	Lock Washer $\varnothing 5/16"$		8 PCS
I	Hex Nut $\varnothing 5/16" \times 1/2"$		8 PCS
J	Hex Wrench $\varnothing 5/16"$		1 PC


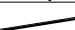
COMPONENTS LIST: IML-415

No.	Description	Sketch	Quantity
1	Headboard		1 PC
2	Left Leg		1 PC
3	Right Leg		1 PC
4	Wood Stretcher		1 PC
5	Center Support Leg		1 PC




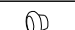
COMPONENTS LIST: IAML-415

No.	Description	Sketch	Quantity
1	Headboard		1 PC
2	Left Leg		1 PC
3	Right Leg		1 PC
4	Wood Stretcher		1 PC
5	Center Support Leg		1 PC



COMPONENTS LIST: IML-406

No.	Description	Sketch	Quantity
1	Bed rails		2 PCS
2	Slats		5 PCS

COMPONENTS LIST: IML-410

No.	Description	Sketch	Quantity
1	Bed rails		2 PCS
2	Slats		5 PCS
3	Center rail (Long)		1 PC
4	Wood Cap		8 PCS

COMPONENTS LIST: IML-407

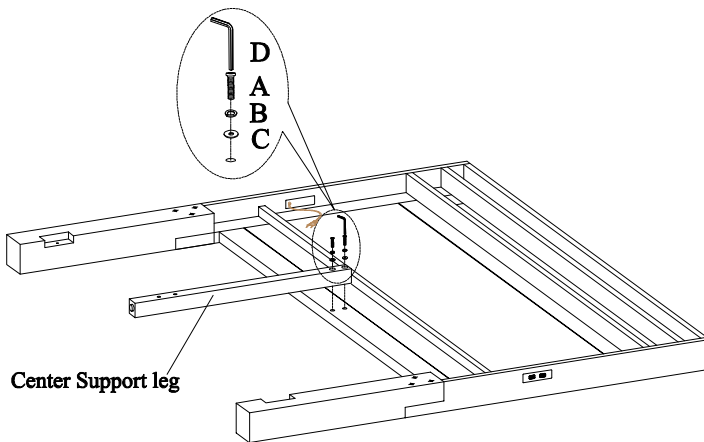
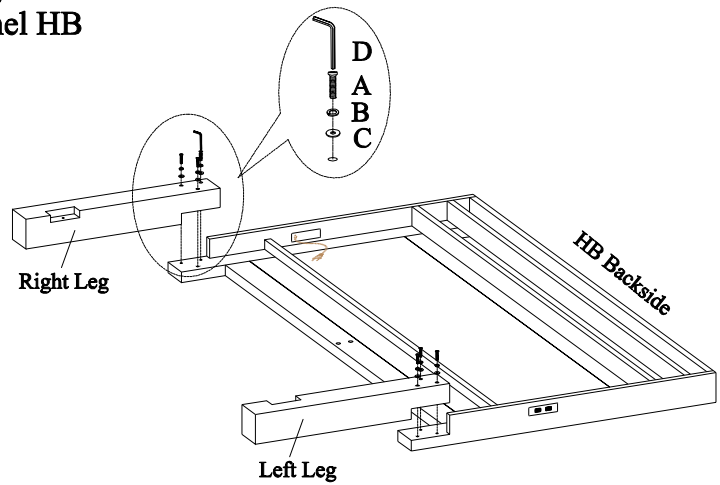
No.	Description	Sketch	Quantity
1	Footboard		1 PC
2	Support Leg (for slats)		5 PCS

ASSEMBLY INSTRUCTIONS

ITEM NO: IML-415-GRY/BRN King Panel HB
 IML-406-GRY/BRN King Rails
 IML-407-GRY/BRN King Low Profile FB
 IML-410-GRY/BRN Cal King Rails
 IAML-415-GRY/BRN King Panel HB

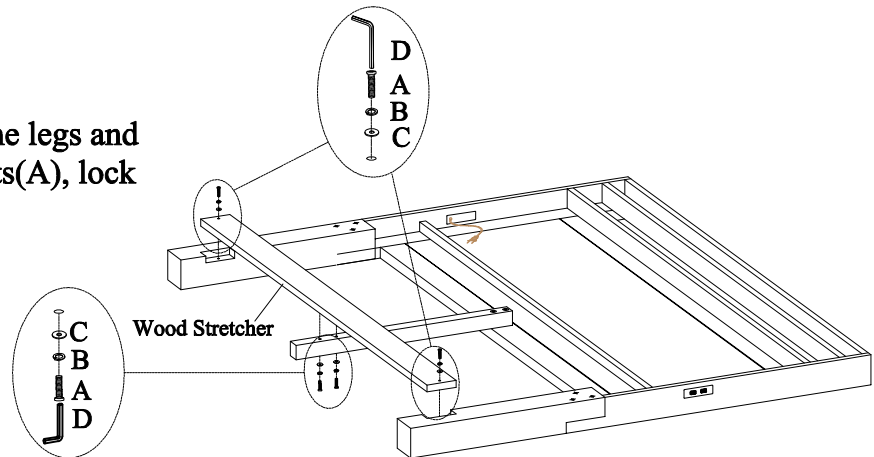
IML / IAML King/Cal King Panel Bed

STEP 1: Lay the headboard face down on a soft surface. Attach the left leg and right leg to headboard by using 6 bolts(A), lock washers(B) and flat washers(C).

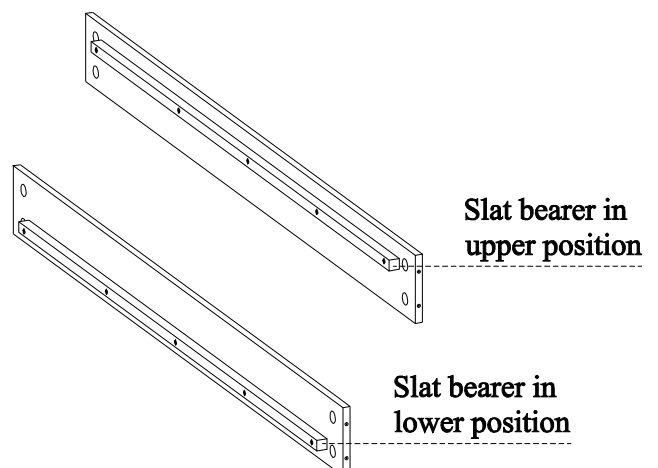


STEP 2: Attach the center support leg to headboard by using 2 bolts(A), lock washers(B) and flat washers(C).

STEP 3: Attach the stretcher to the legs and center support leg by using 4 bolts(A), lock washers(B) and flat washers(C).

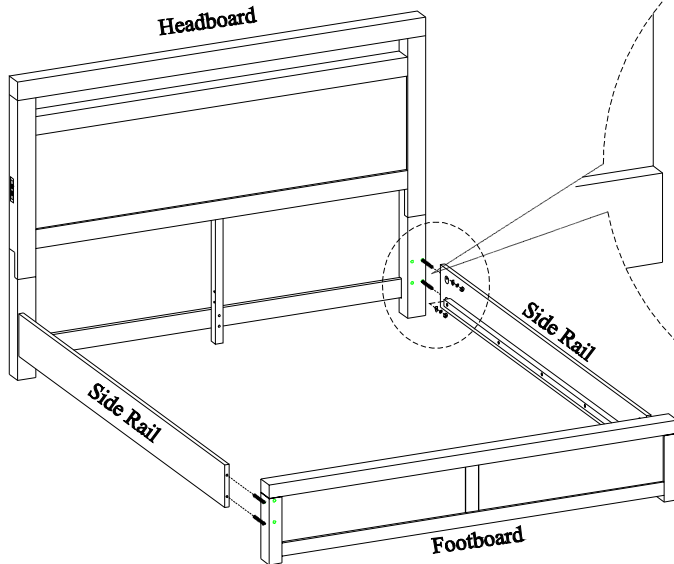


STEP 4: The side rails may be used on either side. Arrange the side rails so the slat bearers are in LOWER POSITION prior to attachment in STEP 5.

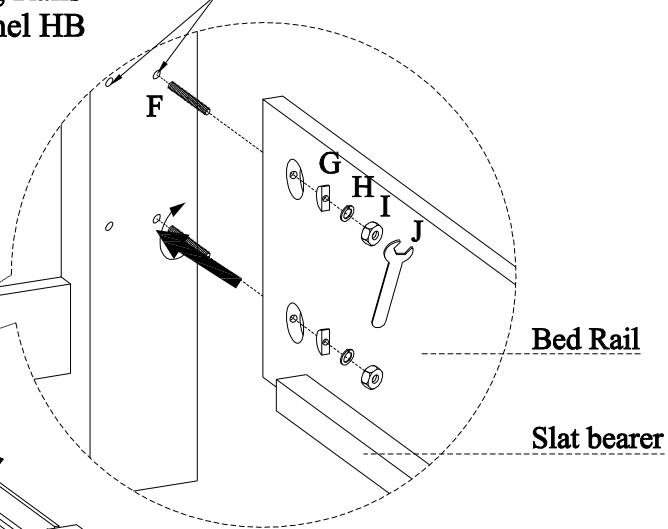


ASSEMBLY INSTRUCTIONS

ITEM NO: IML-415-GRY/BRN King Panel HB
 IML-406-GRY/BRN King Rails
 IML-407-GRY/BRN King Low Profile FB
 IML-410-GRY/BRN Cal King Rails
 IAML-415-GRY/BRN King Panel HB



The outside holes match to 6/6 bed rails, the inside holes match to 6/0 bed rails.

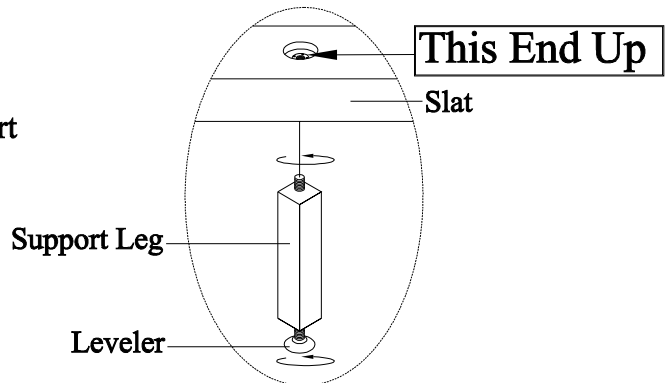
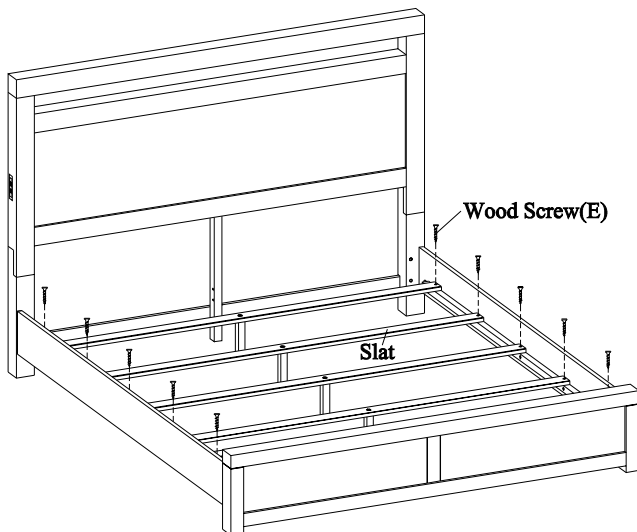


Make sure the slat bearer is in the LOWER position.

STEP 5: Screw the bolts(F) into HB & FB. Align the bolts with the holes in the end of side rails and attach the side rails to HB & FB using half moon washers(G), lock washers(H) and nuts (I). Then use a hex wrench to tighten all the nuts.

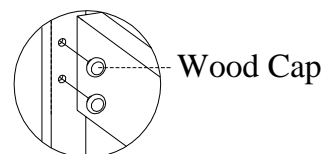
Note: The outside holes match to 6/6 bed rails, the inside holes match to 6/0 bed rails.

STEP 6: Attach the support legs with leveler to the slats. Adjust the levelers on bottom of support legs when necessary.



STEP 7: Arrange the slats on the slat bearers equally and attach to the slat bearers with wood screws (E).

STEP 8: For Cal King bed, insert wood caps into the holes on headboard and footboard. For regular King bed, skip this step.



ASSEMBLY INSTRUCTIONS

ITEM NO: IML-415-GRY/BRN King Panel HB
IML-406-GRY/BRN King Rails
IML-407-GRY/BRN King Low Profile FB
IML-410-GRY/BRN Cal King Rails
IAML-415-GRY/BRN King Panel HB

FUNCTIONALITY INSTRUCTION

