

ASSEMBLY INSTRUCTIONS

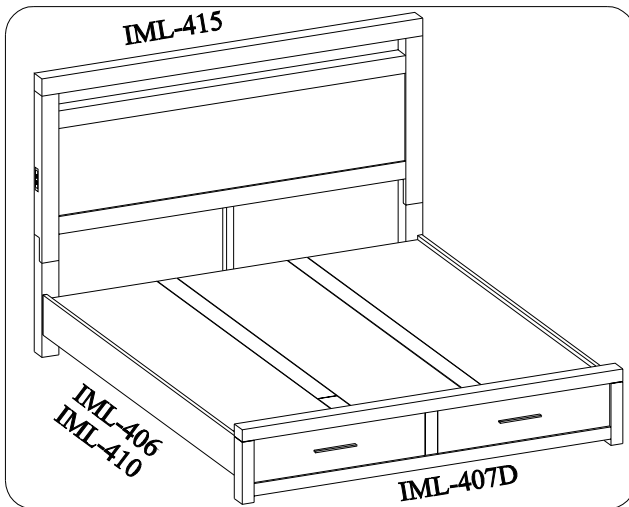
ITEM NO: IML-415-GRY/BRN King Panel HB
IML-406-GRY/BRN King Rails
IML-407D-GRY/BRN King Storage FB
IML-410-GRY/BRN Cal King Rails
IAML-415-GRY/BRN King Panel HB

Thank you for purchasing this quality product. Be sure to check all packing material carefully for small parts that may come loose inside the carton during shipment.



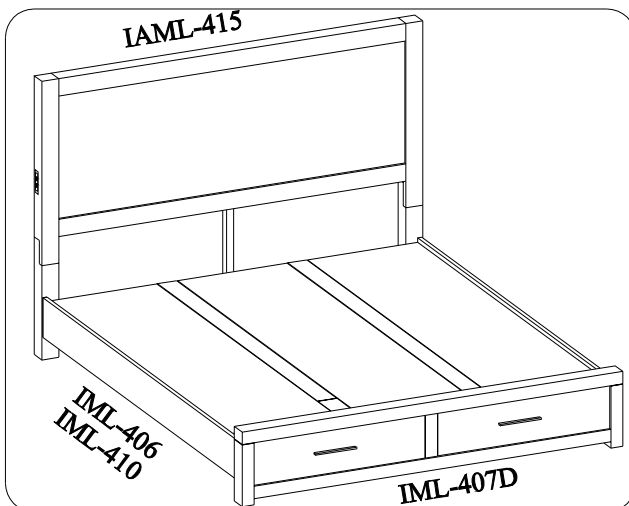
UNIT SHOULD BE INSTALLED BY 2 OR MORE PERSONS.

IML King/Cal King Storage Panel Bed



All Beds need to be set up in the exact final location so that after full assembly it will not need to be moved. Moving the bed will cause the support legs to move out of perpendicular (90 degree), weaken the support system, and may allow the bed to collapse.

IAML King/Cal King Storage Panel Bed







BEFORE USING THIS PRODUCT PLEASE READ, UNDERSTAND, AND FOLLOW THESE INSTRUCTIONS.
Save these instructions for future reference.

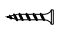





FOR INDOOR USE ONLY




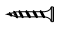

ASSEMBLY INSTRUCTIONS






ITEM NO: IML-415-GRY/BRN King Panel HB
 IML-406-GRY/BRN King Rails
 IML-407D-GRY/BRN King Storage FB
 IML-410-GRY/BRN Cal King Rails
 IAML-415-GRY/BRN King Panel HB






TOOLS REQUIRED (NOT PROVIDED)
PHILLIPS SCREWDRIVER
UTILITY KNIFE (FOR CAL KING)



HARDWARE LIST: IML-415 / IAML-415			
No.	Description	Sketch	Quantity
A	Bolt $\phi 5/16" \times 2"$		12 PCS
B	Lock Washer $\phi 5/16"$		12 PCS
C	Flat Washer $\phi 5/16" \times 3/4"$		12 PCS
D	Allen Wrench $5/16"$		1 PC



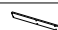
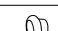
HARDWARE LIST: IML-406/410			
No.	Description	Sketch	Quantity
E	Wood Screw $M4 \times 1-1/4"$		10 PCS
F	Bolt $\phi 5/16" \times 3-1/2"$		8 PCS
G	Half Moon Washer $\phi 5/16"$		8 PCS
H	Lock Washer $\phi 5/16"$		8 PCS
I	Hex Nut $\phi 5/16" \times 1/2"$		8 PCS
J	Hex Wrench $\phi 5/16"$		1 PC


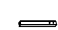


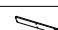

HARDWARE LIST: IML-407D			
No.	Description	Sketch	Quantity
K	Bolt $\phi 1/4" \times 1-1/4"$		14 PCS
L	Lock Washer $\phi 1/4"$		14 PCS
M	Flat Washer $\phi 1/4" \times 5/8"$		14 PCS
N	Wood Screw $M4 \times 1"$		8 PCS
O	Allen Wrench $4mm$		1 PC

COMPONENTS LIST: IML-415			
No.	Description	Sketch	Quantity
1	Headboard		1 PC
2	Left Leg		1 PC
3	Right Leg		1 PC
4	Wood Stretcher		1 PC
5	Center Support Leg		1 PC

COMPONENTS LIST: IAML-415			
No.	Description	Sketch	Quantity
1	Headboard		1 PC
2	Left Leg		1 PC
3	Right Leg		1 PC
4	Wood Stretcher		1 PC
5	Center Support Leg		1 PC

COMPONENTS LIST: IML-406			
No.	Description	Sketch	Quantity
1	Bed rails		2 PCS
2	Slats		5 PCS

COMPONENTS LIST: IML-410			
No.	Description	Sketch	Quantity
1	Bed rails		2 PCS
2	Slats		5 PCS
3	Center rail (Long)		1 PC
4	Wood Cap		8 PCS

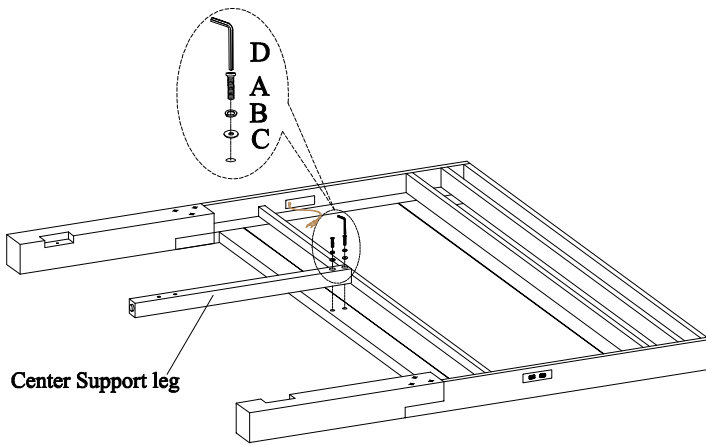
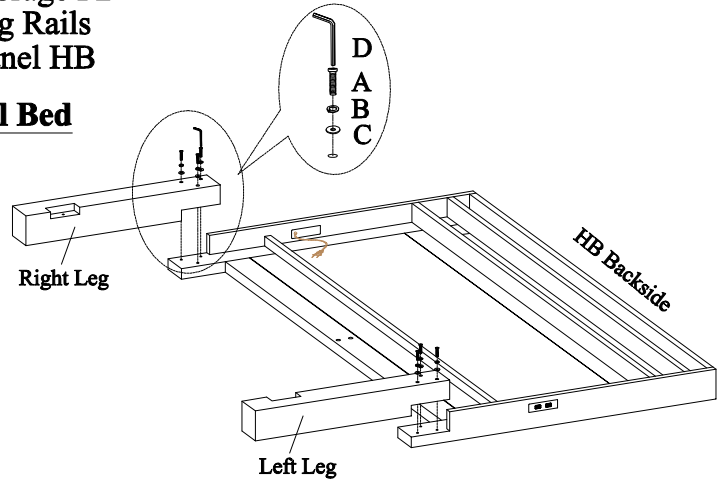
COMPONENTS LIST: IML-407D			
No.	Description	Sketch	Quantity
1	Footboard		1 PC
2	Support Leg (for center rail)		2 PCS
3	Support leg (for pedestal)		3 PCS
4	Decking		3 PCS
5	Center rail		1 PC
6	Filler		2 PCS

ASSEMBLY INSTRUCTIONS

ITEM NO: IML-415-GRY/BRN King Panel HB
 IML-406-GRY/BRN King Rails
 IML-407D-GRY/BRN King Storage FB
 IML-410-GRY/BRN Cal King Rails
 IAML-415-GRY/BRN King Panel HB

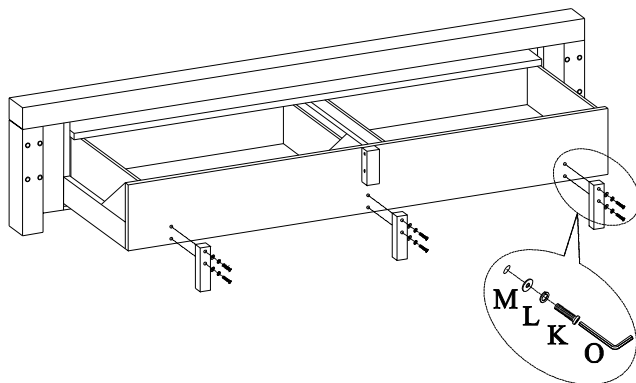
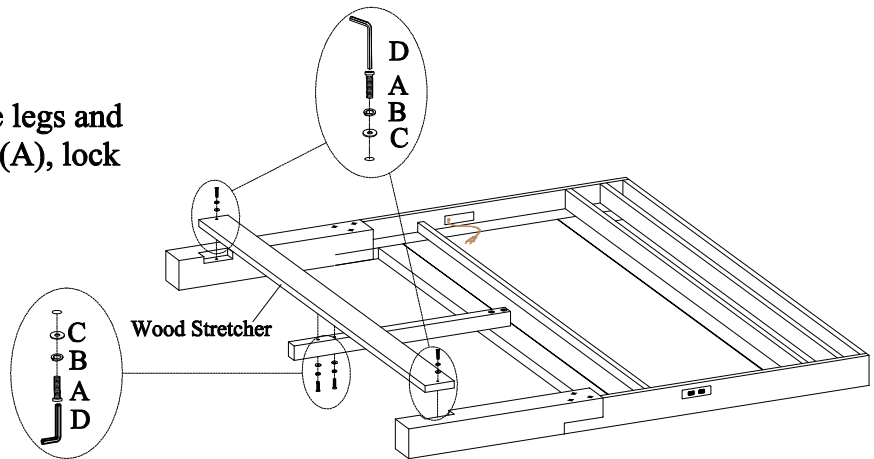
IML / IAML King/Cal King Storage Panel Bed

STEP 1: Lay the headboard face down on a soft surface. Attach the left leg and right leg to headboard by using 6 bolts(A), lock washers(B) and flat washers(C).



STEP 2: Attach the center support leg to headboard by using 2 bolts(A), lock washers(B) and flat washers(C).

STEP 3: Attach the stretcher to the legs and center support leg by using 4 bolts(A), lock washers(B) and flat washers(C).

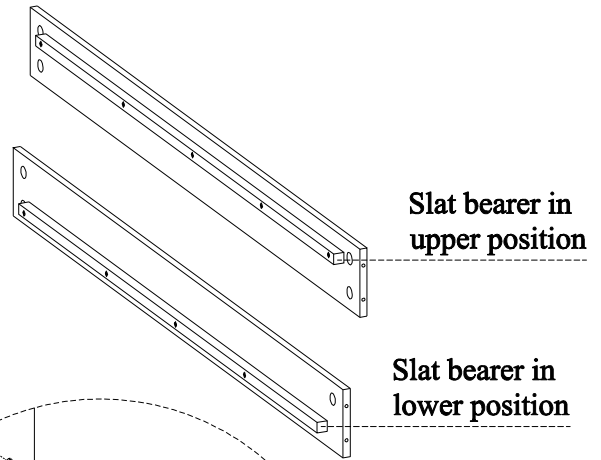


STEP 4: Attach support legs (for pedestal) to footboard.

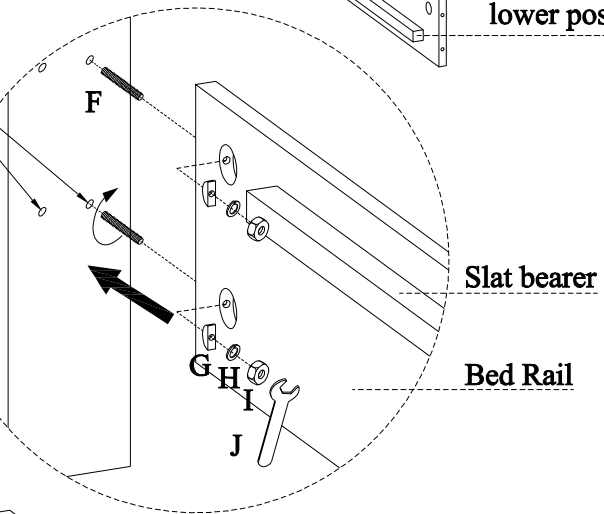
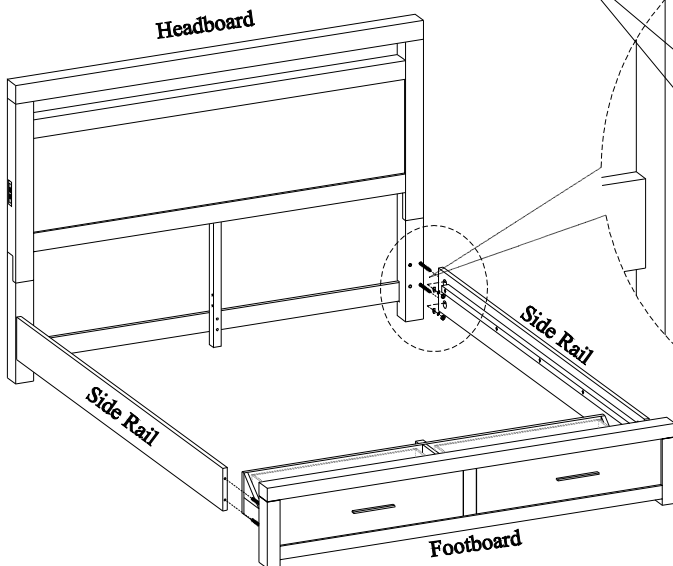
ASSEMBLY INSTRUCTIONS

ITEM NO: IML-415-GRY/BRN King Panel HB
 IML-406-GRY/BRN King Rails
 IML-407D-GRY/BRN King Storage FB
 IML-410-GRY/BRN Cal King Rails
 IAML-415-GRY/BRN King Panel HB

STEP 5: The side rails may be used on either side. Arrange the side rails so the slat bearers are in UPPER POSITION prior to attachment in STEP 6.

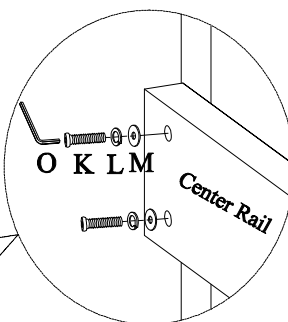
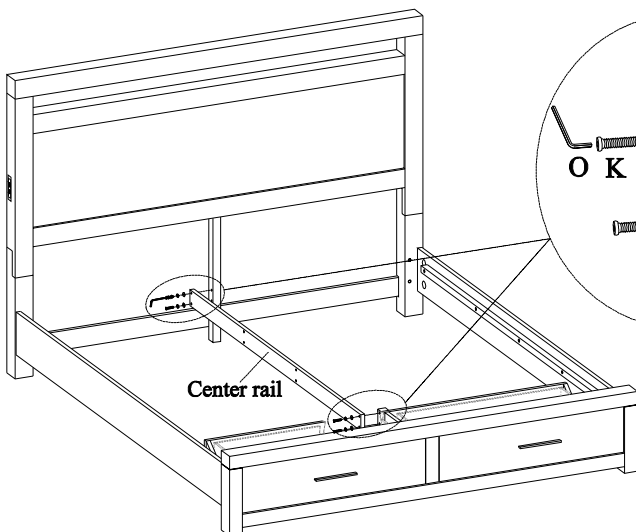


The outside holes match to 6/6 bed rails, the inside holes match to 6/0 bed rails.



Make sure the slat bearer is in the UPPER position.

STEP 6: Screw the bolts(F) into HB & FB. Align the bolts with the holes in the end of side rails and attach the side rails to HB & FB using half moon washers(G), lock washers(H) and nuts (I). Then use a hex wrench to tighten all the nuts.

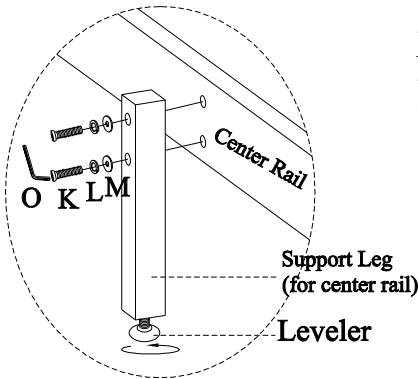


The short center rail that is packed in storage FB works with -406 King rails(6/6); The Long center rail that is packed in Cal King side rails works with -410 Cal King rails(6/0).

STEP 7: Attach center rail to the footboard, and center support leg of headboard using 4 bolts(K), lock washers(L) and flat washers(M).

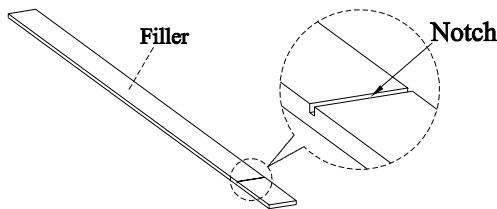
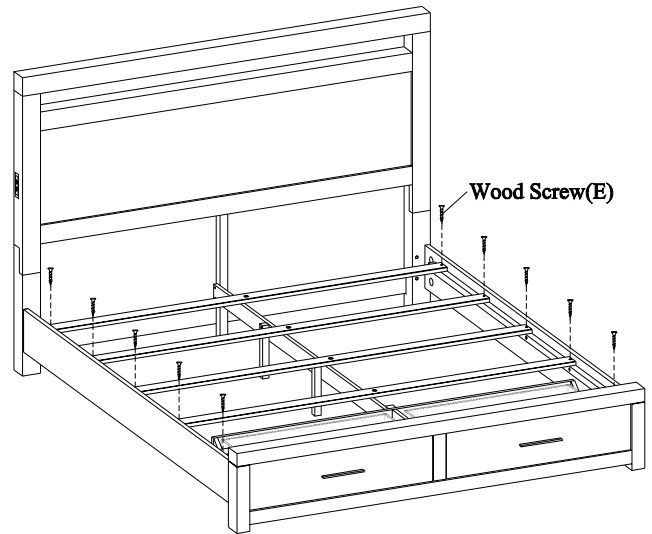
ASSEMBLY INSTRUCTIONS

ITEM NO: IML-415-GRY/BRN King Panel HB
 IML-406-GRY/BRN King Rails
 IML-407D-GRY/BRN King Storage FB
 IML-410-GRY/BRN Cal King Rails
 IAML-415-GRY/BRN King Panel HB



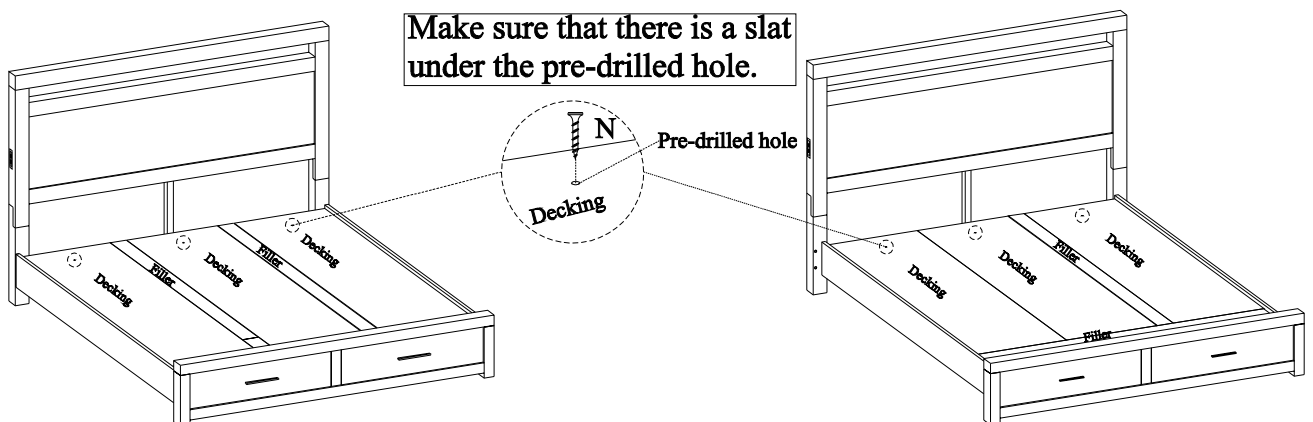
STEP 8: Attach 2 support legs (for center rail) to the center rail using 4 bolts(K), lock washers(L) and flat washers(M). Use an Allen Wrench to tighten all the bolts.

STEP 9: Arrange slats on the slat bearers and then lay the decking on top of the slats. Make sure the top and bottom slats are situated underneath the pre-drilled holes as shown below in STEP 11. Remove the decking and attach slats to the slat bearers with wood screws (E).

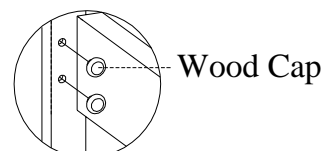


STEP 10: For Cal King bed, use a utility knife to cut off the small piece at the notch and discard. For regular King bed, skip this step.

STEP 11: Put the decking over the slats, secure decking to the slats with wood screws (N) through the pre-drilled holes in the decking as shown below.



STEP 12: For Cal King bed, insert wood caps into the holes on headboard and footboard. For regular King bed, skip this step.



ASSEMBLY INSTRUCTIONS

ITEM NO: IML-415-GRY/BRN King Panel HB
IML-406-GRY/BRN King Rails
IML-407D-GRY/BRN King Storage FB
IML-410-GRY/BRN Cal King Rails
IAML-415-GRY/BRN King Panel HB

FUNCTIONALITY INSTRUCTION

