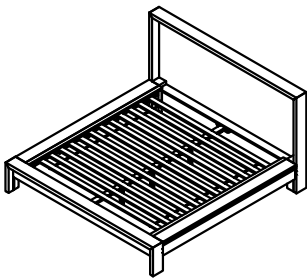




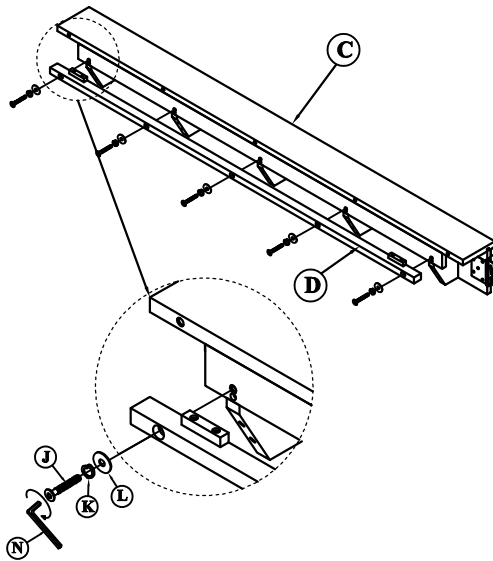
LIVING SPACES

A	HEADBOARD		X1
B	FOOTBOARD		X1
C	SIDE RAILS		X2
D	REMOVABLE SLAT CLEAT		X2
E	CENTER SLAT SUPPORT		X1
F	CENTER SUPPORT LEG		X3
G	MATTRESS SPACER		X2
H	SLAT (EACH)		X1
I	ALLEN BOLT (M6 X 60MM)		X10
J	ALLEN BOLT (M6 X 50MM)		X10
K	SPRING WASHER (M6)		X10
L	FLAT WASHER (M6)		X10
M	WOOD SCREW (M4X30)		X6
N	ALLEN KEY		X1

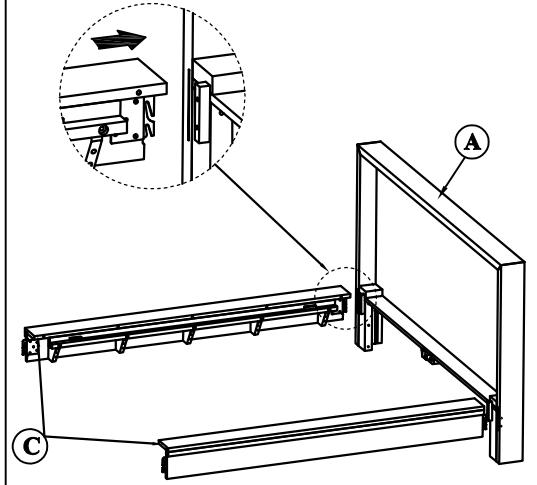


REGAN CAL KING BED

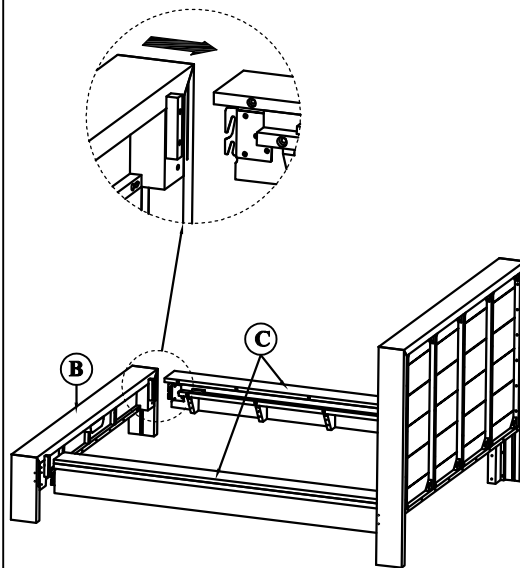
①



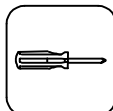
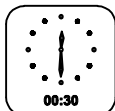
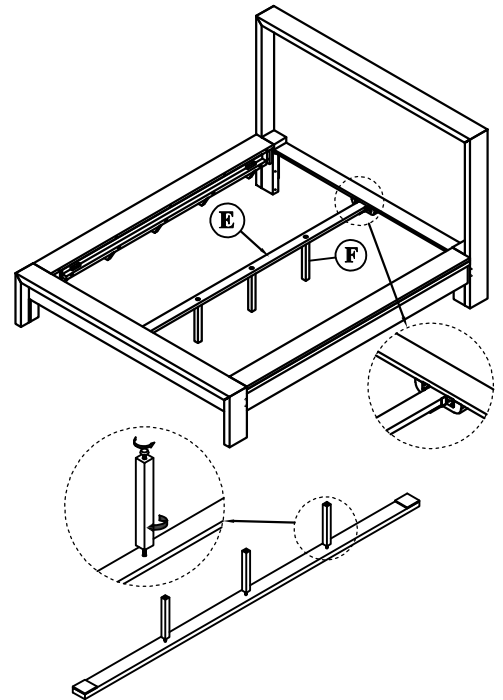
②



③



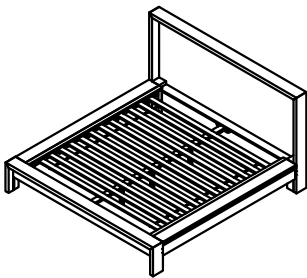
④



Not provided

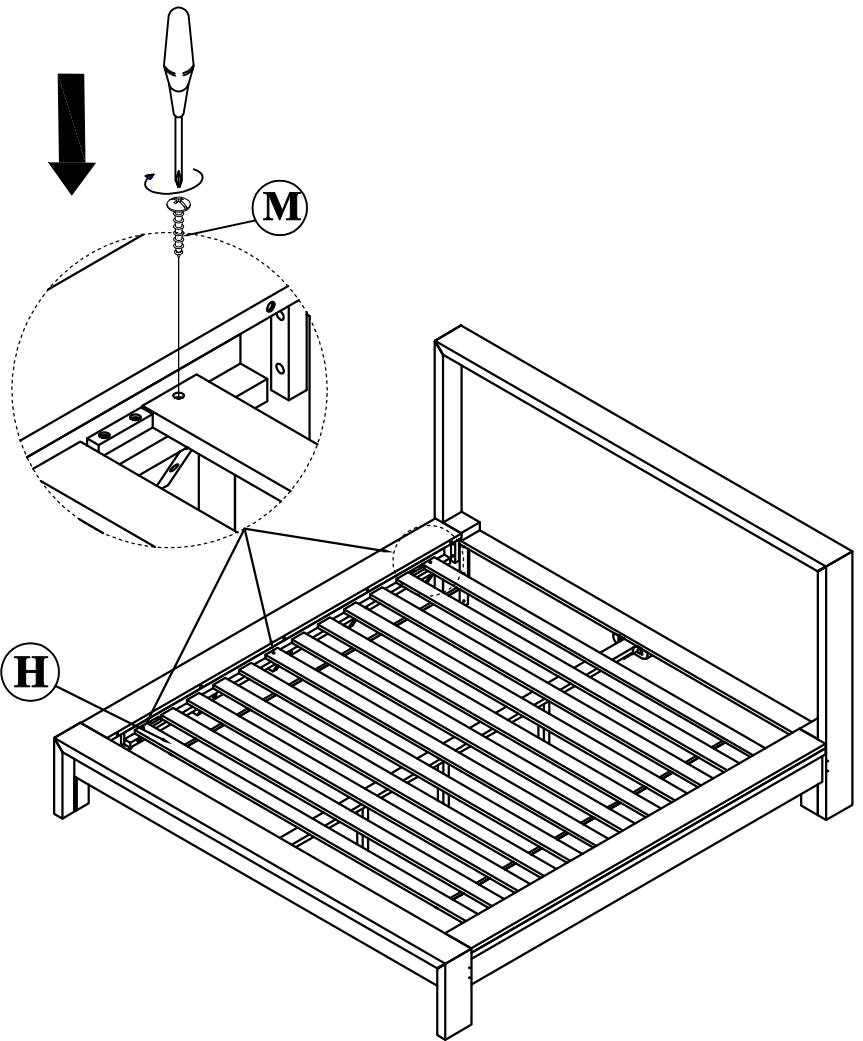
LIVING SPACES

A	HEADBOARD		X1
B	FOOTBOARD		X1
C	SIDE RAILS		X2
D	REMOVABLE SLAT CLEAT		X2
E	CENTER SLAT SUPPORT		X1
F	CENTER SUPPORT LEG		X3
G	MATTRESS SPACER		X2
H	SLAT (EACH)		X1
I	ALLEN BOLT (M6 X 60MM)		X10
J	ALLEN BOLT (M6 X 50MM)		X10
K	SPRING WASHER (M6)		X10
L	FLAT WASHER (M6)		X10
M	WOOD SCREW (M4X30)		X6
N	ALLEN KEY		X1

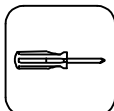
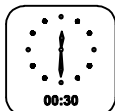
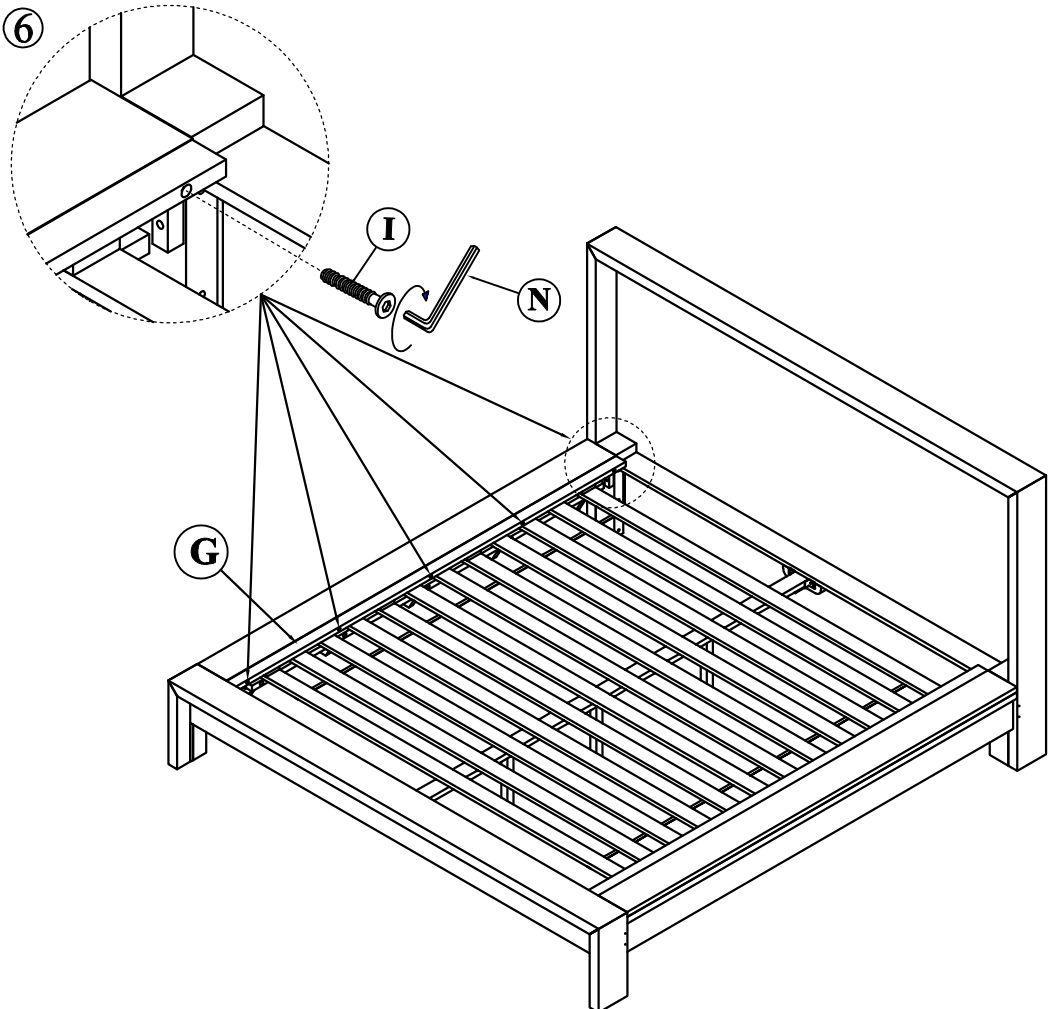


REGAN CAL KING BED

5



6



Not provided