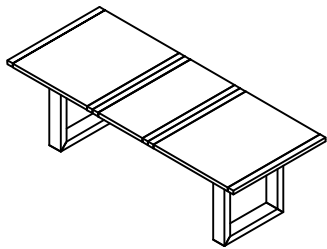
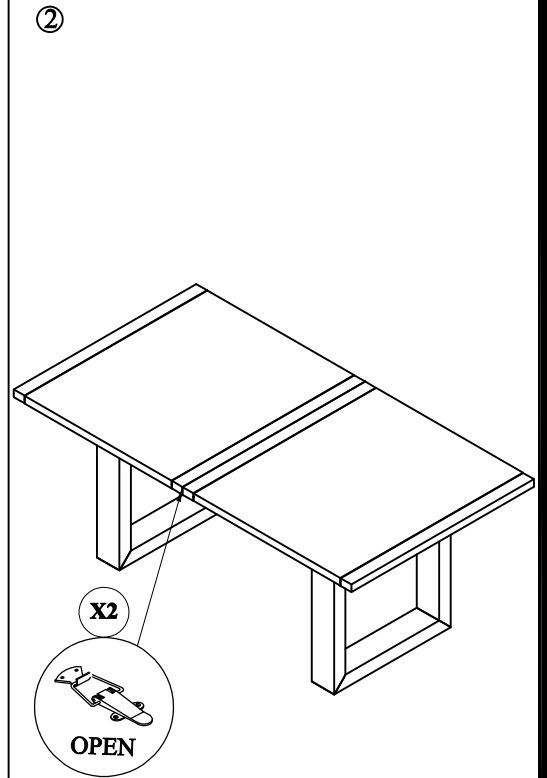
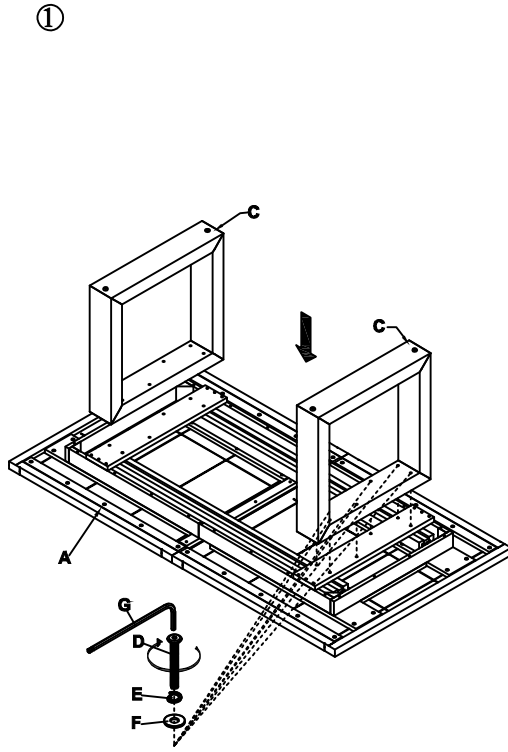




# LIVING SPACES

A	TABLE TOP		X1
B	EXTENSION LEAF		X1
C	LEG		X2
D	ALLEN BOLT (5/16 x 80MM)		X12
E	LOCK WASHER (5/16)		X12
F	FLAT WASHER (5/16)		X12
G	ALLEN KEY (M4)		X1



6BR960  
PRATO DINING TABLE

