

**PROGRESSIVE FURNITURE**  
**E707/E727 PIER TO BRIDGE**  
Assembly Instructions

**Important!**

This is at least a 2 person assembly,  
do not try and assemble alone.

PARTS LIST



(2x) Hex Wrench



(4x) 1/4"-20 Cap Nut



(4x) 1/4" x 7/8" Machine Screw



**PROGRESSIVE FURNITURE**  
**E707/E727 PIER TO BRIDGE**  
Assembly Instructions

**Important!**

This is at least a 2 person assembly,  
do not try and assemble alone.

PARTS LIST



(2x) Hex Wrench



(4x) 1/4"-20 Cap Nut



(4x) 1/4" x 7/8" Machine Screw



**PROGRESSIVE FURNITURE**  
**E707/E727 PIER TO BRIDGE**  
Assembly Instructions

**Important!**

This is at least a 2 person assembly,  
do not try and assemble alone.

PARTS LIST



(2x) Hex Wrench



(4x) 1/4"-20 Cap Nut



(4x) 1/4" x 7/8" Machine Screw

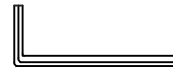


**PROGRESSIVE FURNITURE**  
**E707/E727 PIER TO BRIDGE**  
Assembly Instructions

**Important!**

This is at least a 2 person assembly,  
do not try and assemble alone.

PARTS LIST



(2x) Hex Wrench

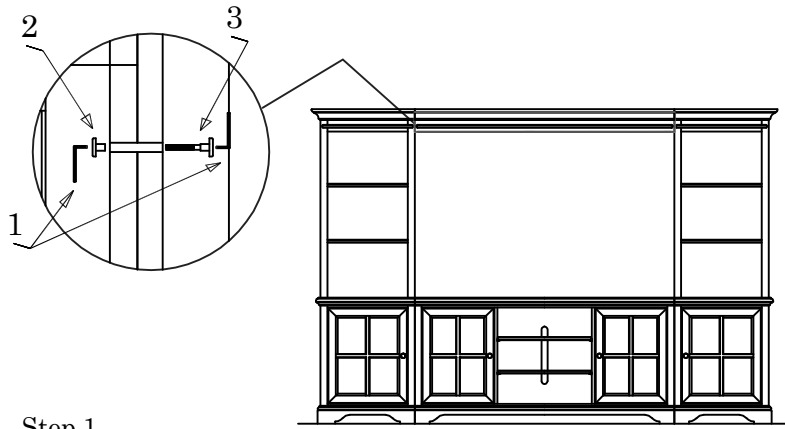


(4x) 1/4"-20 Cap Nut



(4x) 1/4" x 7/8" Machine Screw





Step 1

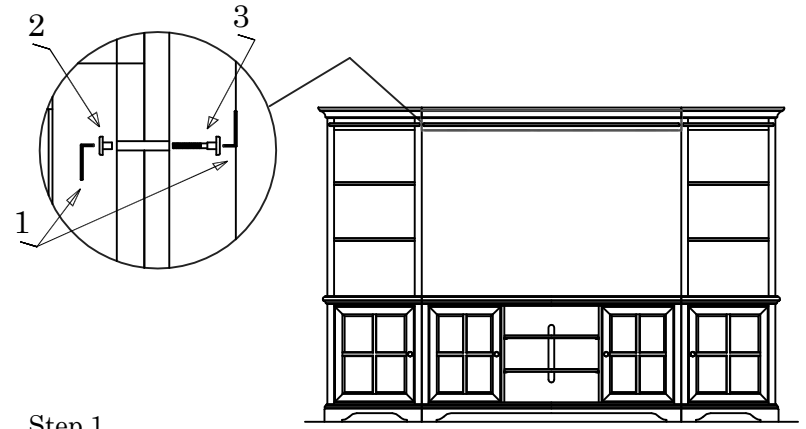
Place Bridge between pier units

Step 2

While someone holds the Bridge, join the pier with the bridge using 4x Nut Caps (2) & 4x 7/8" Machine Screw (3)

Step 3

Tighten the screws using 2x Hex Wrench (1) in a Clock Wise Motion



Step 1

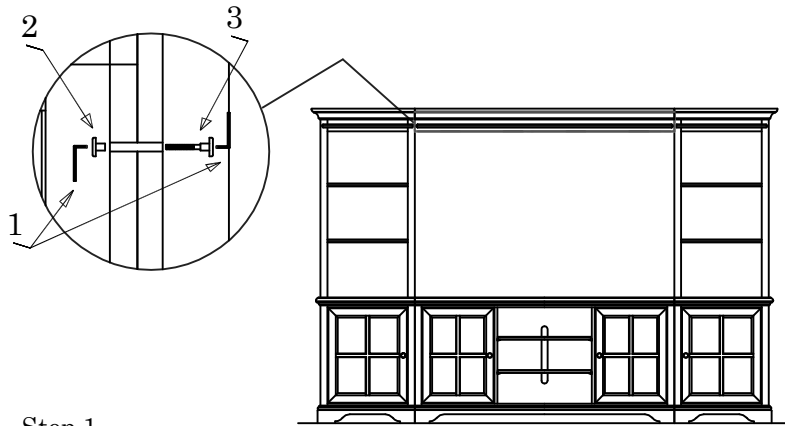
Place Bridge between pier units

Step 2

While someone holds the Bridge, join the pier with the bridge using 4x Nut Caps (2) & 4x 7/8" Machine Screw (3)

Step 3

Tighten the screws using 2x Hex Wrench (1) in a Clock Wise Motion



Step 1

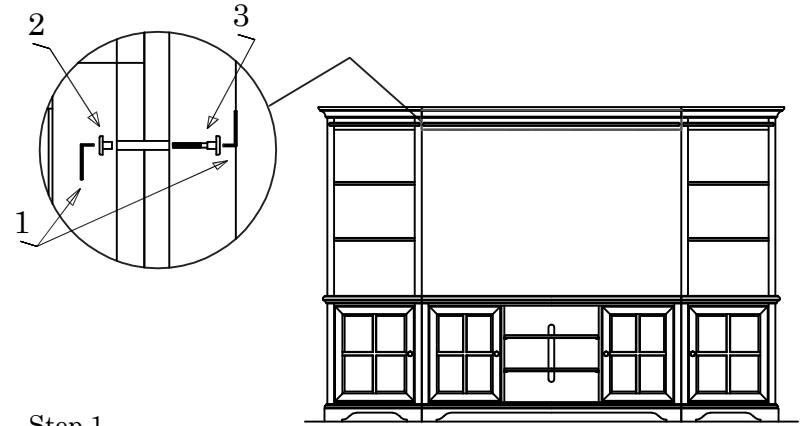
Place Bridge between pier units

Step 2

While someone holds the Bridge, join the pier with the bridge using 4x Nut Caps (2) & 4x 7/8" Machine Screw (3)

Step 3

Tighten the screws using 2x Hex Wrench (1) in a Clock Wise Motion



Step 1

Place Bridge between pier units

Step 2

While someone holds the Bridge, join the pier with the bridge using 4x Nut Caps (2) & 4x 7/8" Machine Screw (3)

Step 3

Tighten the screws using 2x Hex Wrench (1) in a Clock Wise Motion