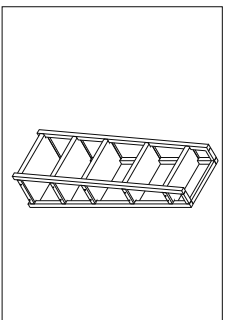




LIVING SPACES

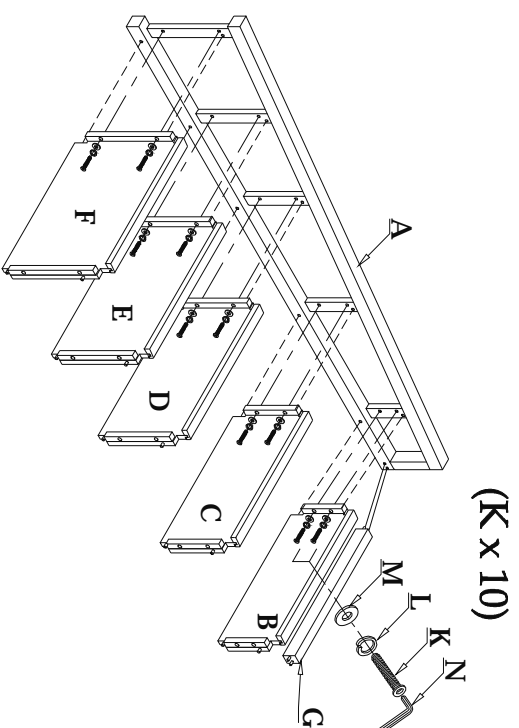
A	SIDE FRAME (Left/ Right)		x 2
B	2614		x 1
C	2615		x 1
D	2616		x 1
E	2617		x 1
F	2618		x 1
G	3102		x 1
H	7602		x 1
I	7002 Parts J - N		x 1
J	#8x1-1/4 Screw		x 2
K	M1/4"-20 x 1-1/4" Allen Head Bolt		x 20
L	1/4" Spring Washer		x 20
M	1/4" x 16#2mm Flat Washer		x 20
N	4mm Allen Wrench		x 1



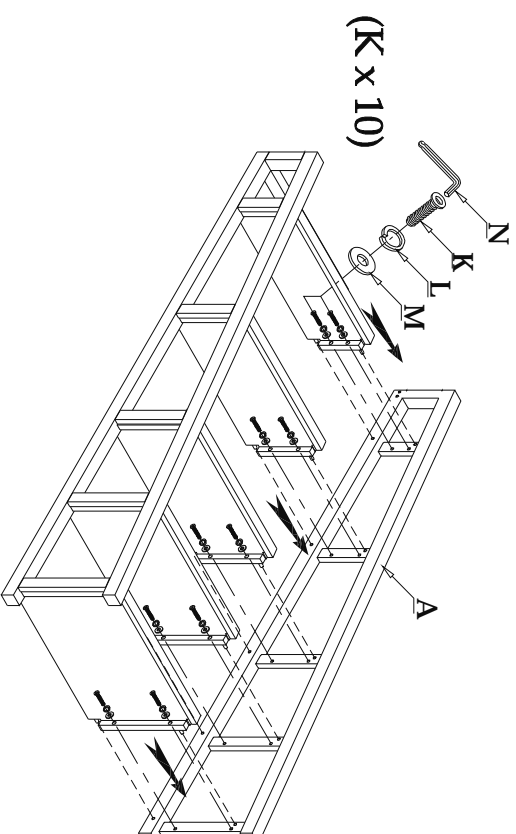
#22038
Pierce Learning Bookcase



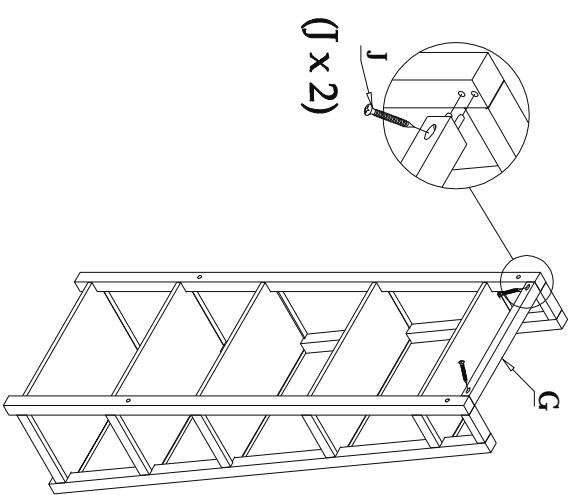
1



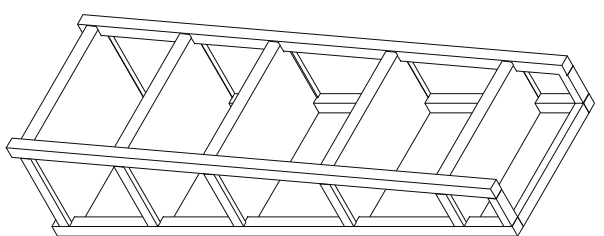
2




3



4




Furniture Tipping Restraint Kit
inside white plastic bag (H)