



BOOKCASE FULL HB & FB

MODEL NO. OWE120

Important: Be sure to check all packing material carefully for small parts which may come loose inside carton during shipment. Separate, identify and count all parts and metal hardware.

Compare with parts list and hardware illustrations to be sure all parts are present. If any parts(s) are missing or damage, contact your dealer's customer service department. For efficient and speedy service, please indicate the model number and the parts needed.

Attention: Some lettered parts listed on the instruction sheets may not be in the parts bag, they may already be assembled.

TOOLS REQUIRED: (Not Included)

Phillips Screwdriver

Item # OWE120-89/90 HB&FB FULL

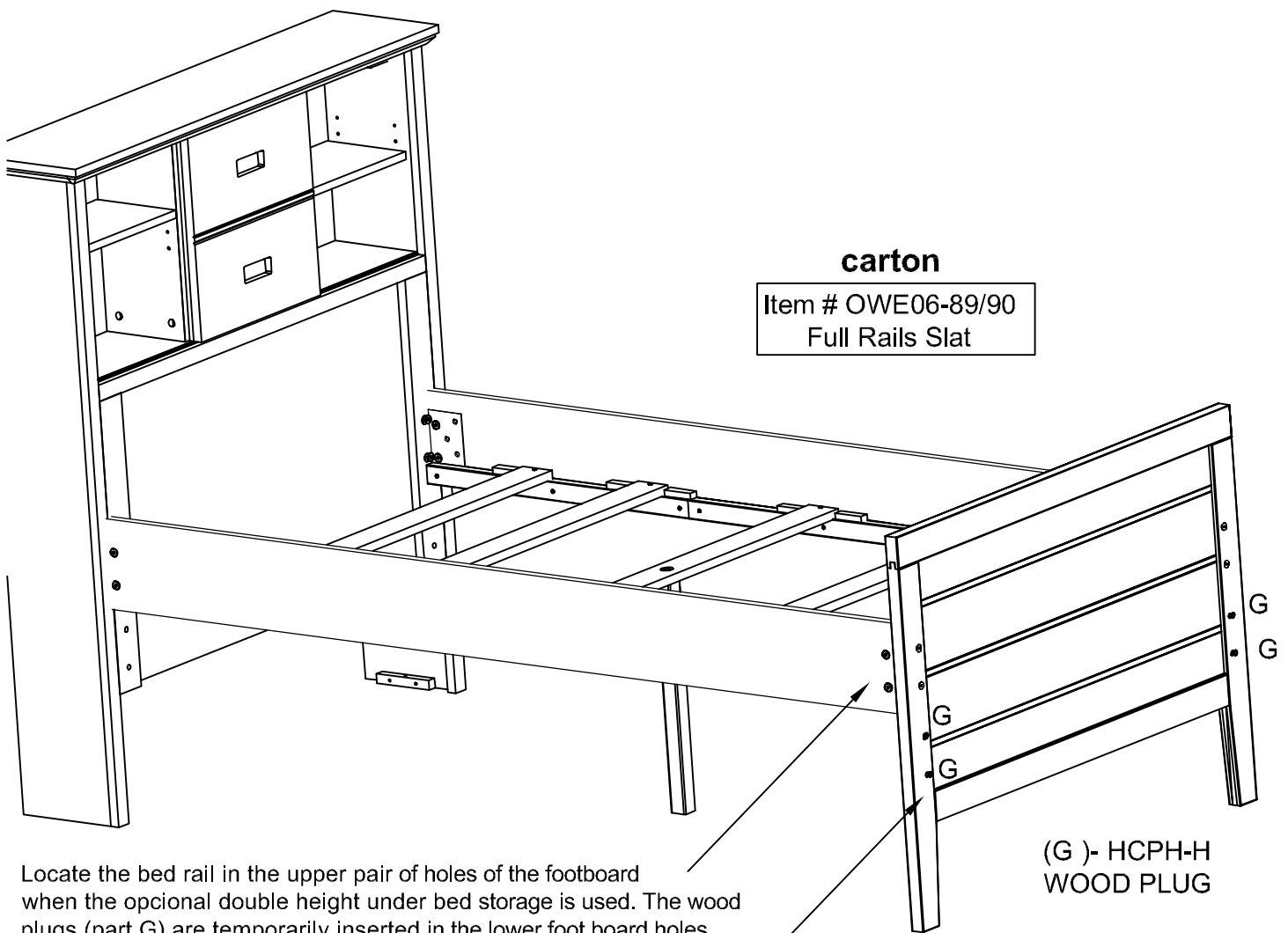
EACH UNIT SOLD SEPARATELY

WOOD PLUG

Part No.HCPH-BR

(4)PCS

ALLREADY INSTALLED
IN FOOTBOARD

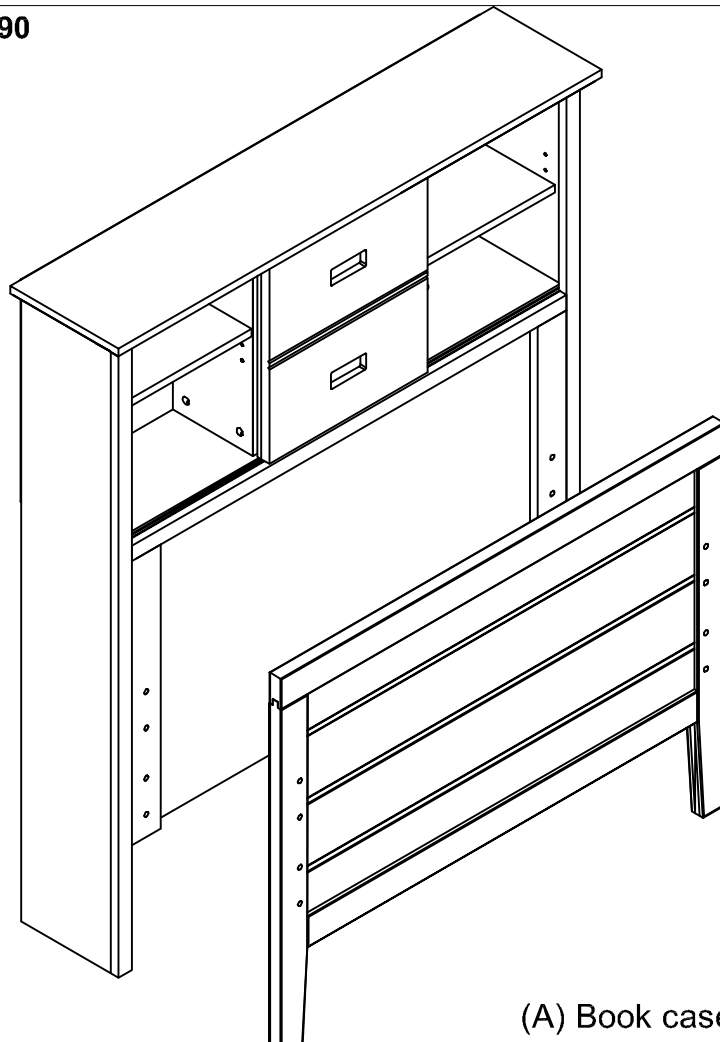


Locate the bed rail in the upper pair of holes of the footboard when the optional double height under bed storage is used. The wood plugs (part G) are temporarily inserted in the lower foot board holes

If the double height storage under bed storage unit is not used position the bed rail using the bottom pair of footboard holes and relocate the pugs to the upper pair of holes

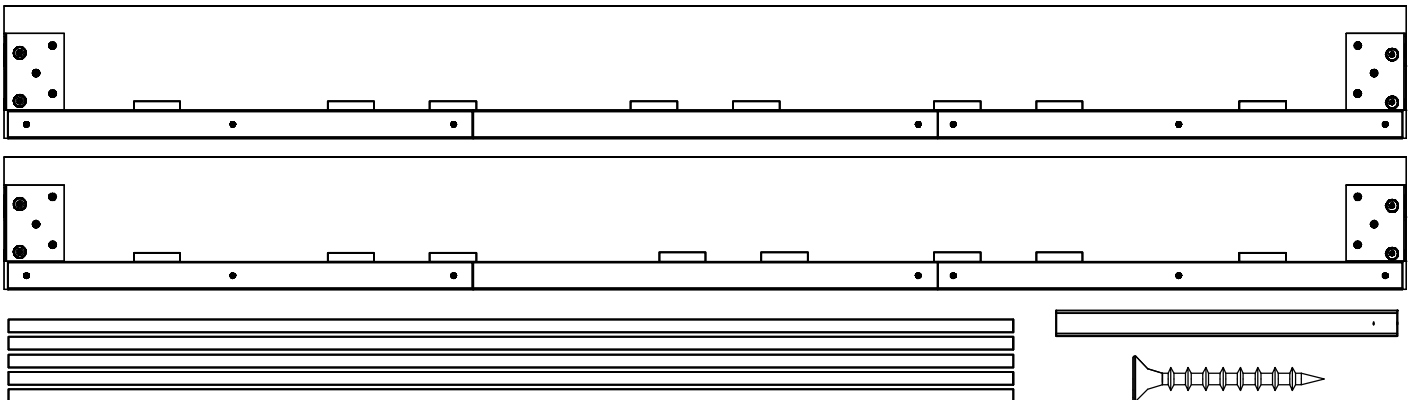
PARTS LIST (OWE Group)

Carton #OWE120-89/90



(A) Book case HB & Panel Footboard

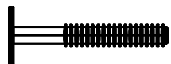
Carton # OWE06-89/90 Full



(B) Full Rails 5 Slat

(E)-Phillips head screw 6 X 1¼"
Part No. HCPF-080 (10 pcs)

Hardware List (OWE119,OWE120)



(C)-BOLT JCBB 1/4-20X25MM
Part No. HCPP-25B (8 pcs.)

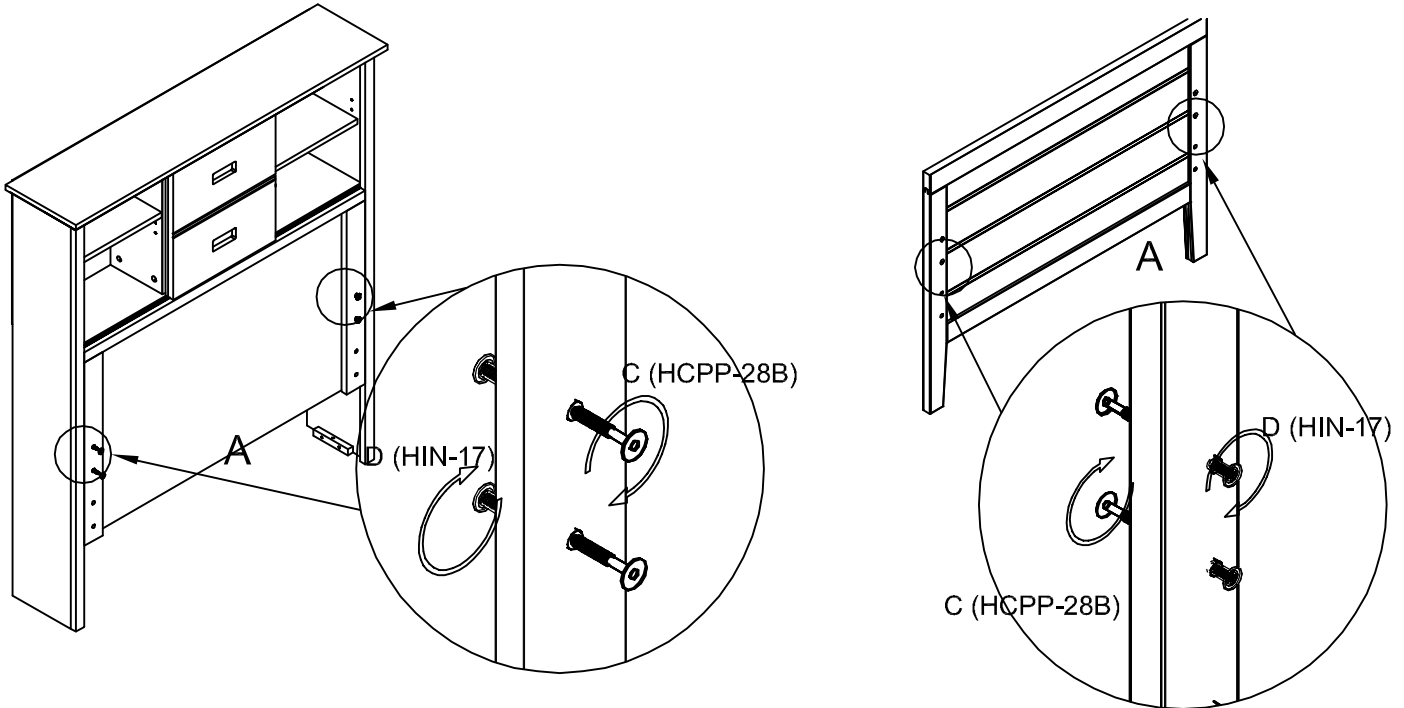


(D)-JCN CAP NUT 1/4-20 X 17mm
Part No. HIN-17 (8 pcs.)

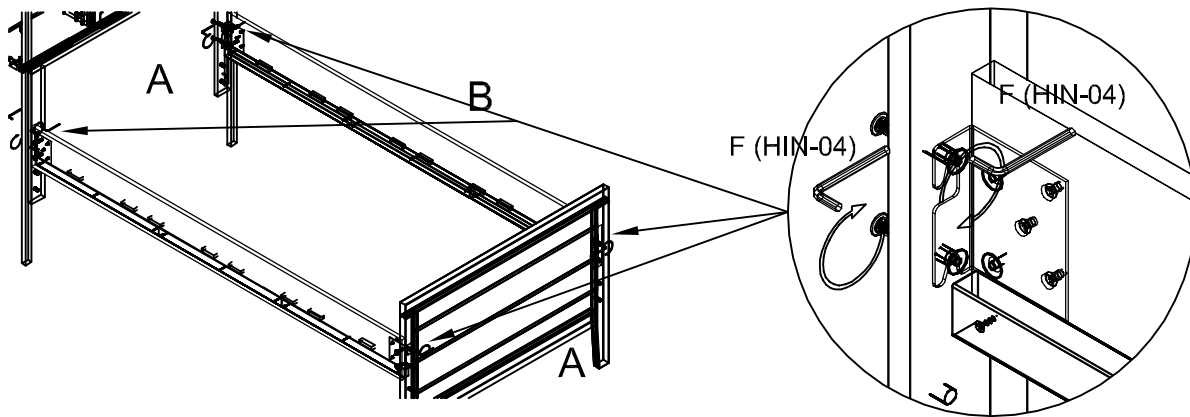


(F)-Allen Key
Part No. HIN-04 (2 pcs)

Step 1. Insert **CAP NUT (D)** and **BOLTS 1/4-20 X 25mm (C)** into holes and loosely tighten (three turns). Repeat the step with same Rail at **FOOTBOARD** and **HEARDBOARD (A)**. **Do not tighten bolts all the way in until all parts are assembled at (4) corners.**



Step 2. Place the **FULL BED RAILS (B)** at one side of the **HEADBOARD (A)** Repeat step 1 at opposite side of bed, and tighten securely with (2) **ALLEN KEY (F)** both Rails.



Step 3. Carefully place (5) **FULL SUPPORT SLAT (B)** and Soport onto **SIDE RAILS (B)** and fasten with (10) **1 1/4" SCREW (E)** as shown. (2) screws each slat.

