

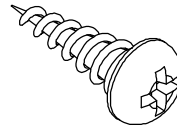
Important: Be sure to check all packing material carefully for small parts which may come loose inside carton during shipment. separate, identify and count all parts and metal hardware.

compare with parts list and hardware illustrations to be sure all parts are present. if any part(s) are missing or damage, contact your dealers customer services department. for efficient and fast service, please indicate the model number and the part needed.

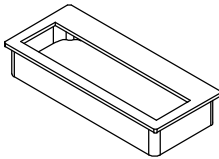
ATTENTION: Some lettered parts listed on the instruction sheets may not be in the parts bag, they may already be assembled.

TOOLS REQUIRED

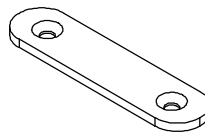
(Not included)
Phillips Screwdriver



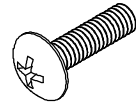
Screw PH. PAN 8 x 5/8
Part No. HCPF-073
(2 Pcs)



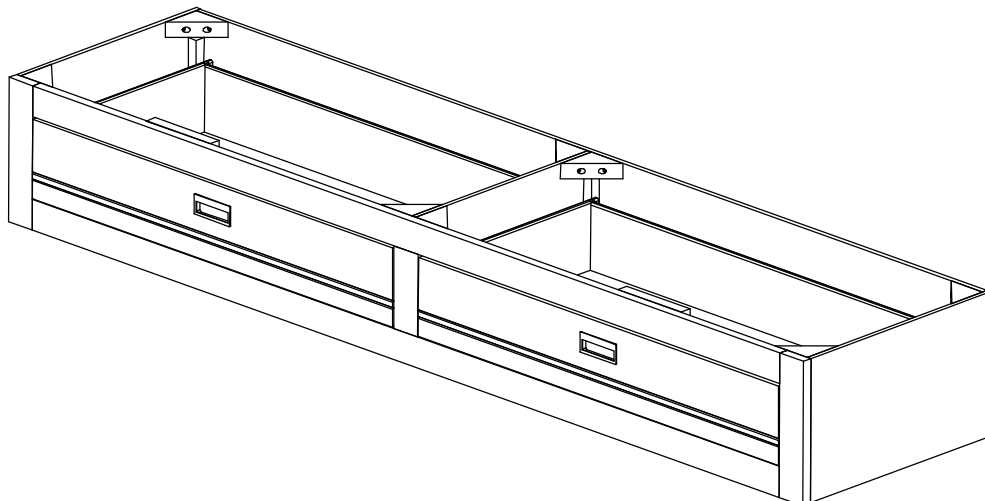
DRAWER PULL 7700
Part No. HBJ-7700-13
(2 Pcs) **INSTALLED**



Mending Plate
Part No. Mending Plate
(2 Pcs) **INSTALLED**



Bolt 8/32 x 7/8
Part No. HCPP-05A
(4 Pcs) **Installed**



1.- Put the Storage drawer like diagram,
Turn Metal Mending Plate screw both
sides as shown below.

