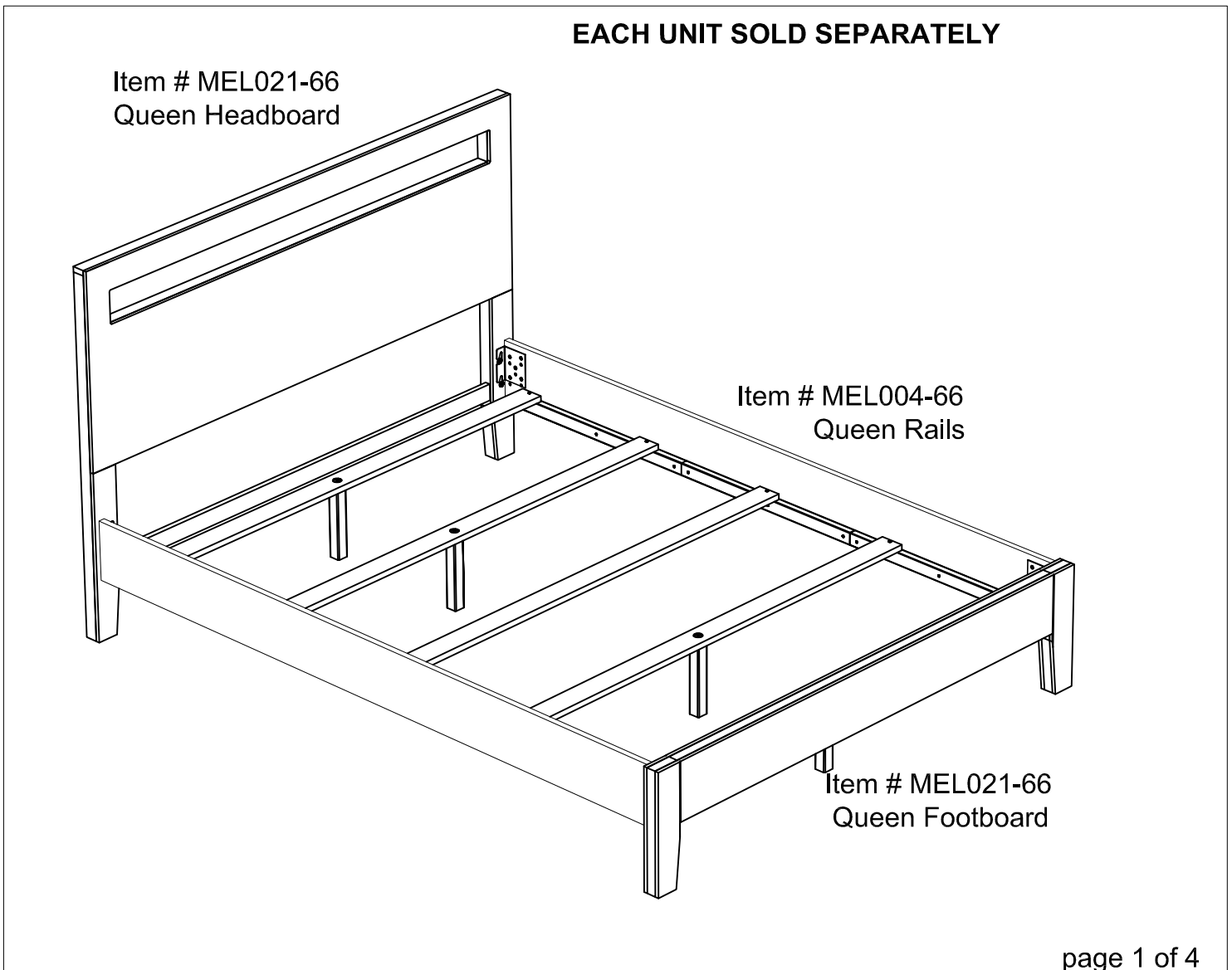


**Important:** Be sure to check all packing material carefully for small parts which may come loose inside carton during shipment. Separate, identify and count all parts and metal hardware.

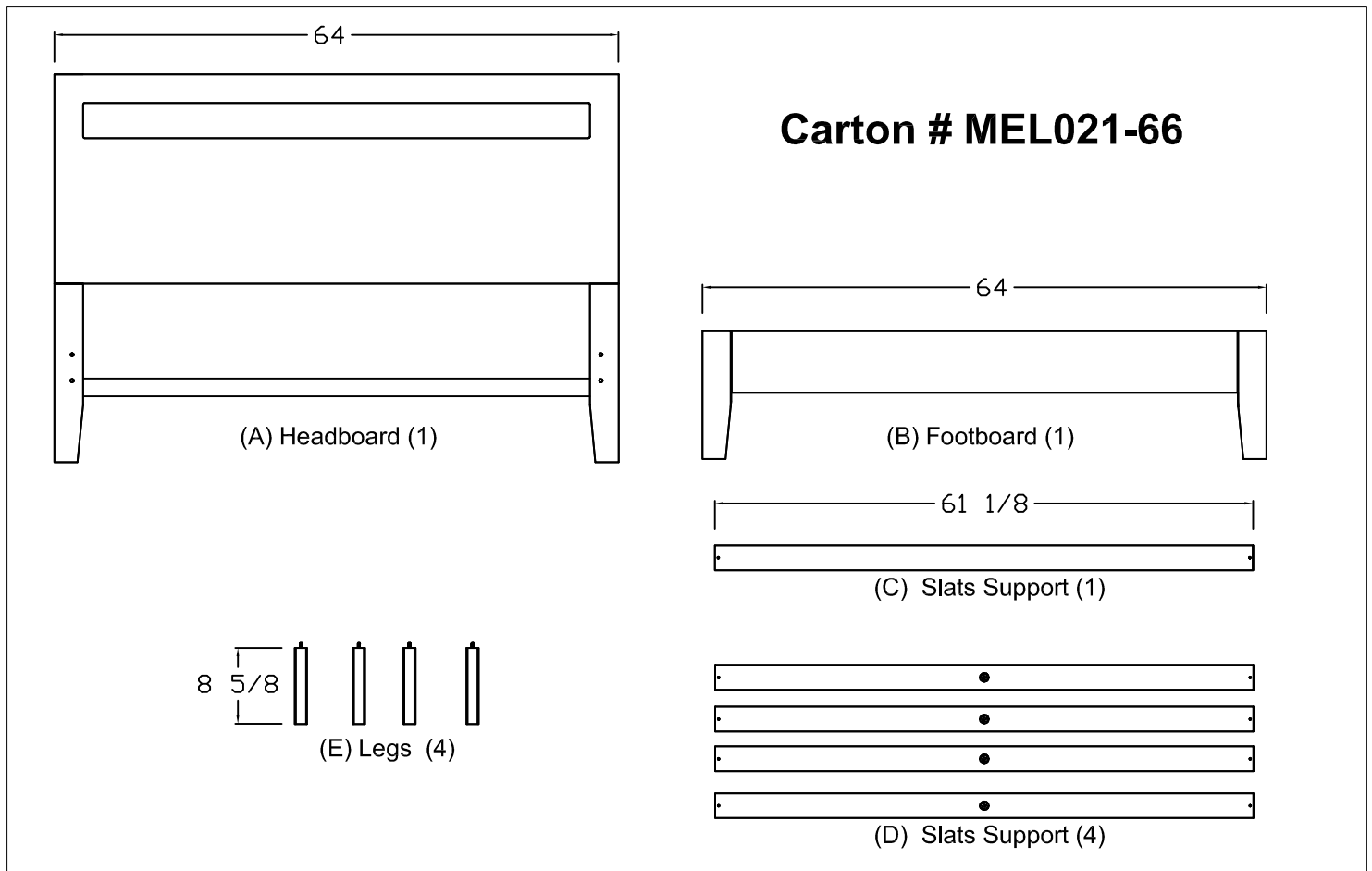
Compare with parts list and hardware illustrations to be sure all parts are present. If any parts(s) are missing or damage, contact your dealer's customer service department. For efficient and speedy service, please indicate the model number and the parts needed.

**Attention:** Some lettered parts listed on the instruction sheets may not be in the parts bag, they may already be assembled.

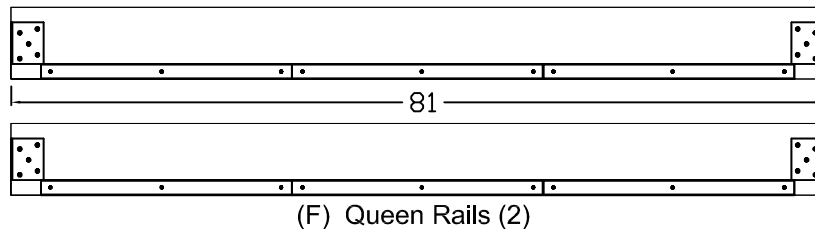
**TOOLS REQUIRED:** (Not Included)  
Phillips Screwdriver



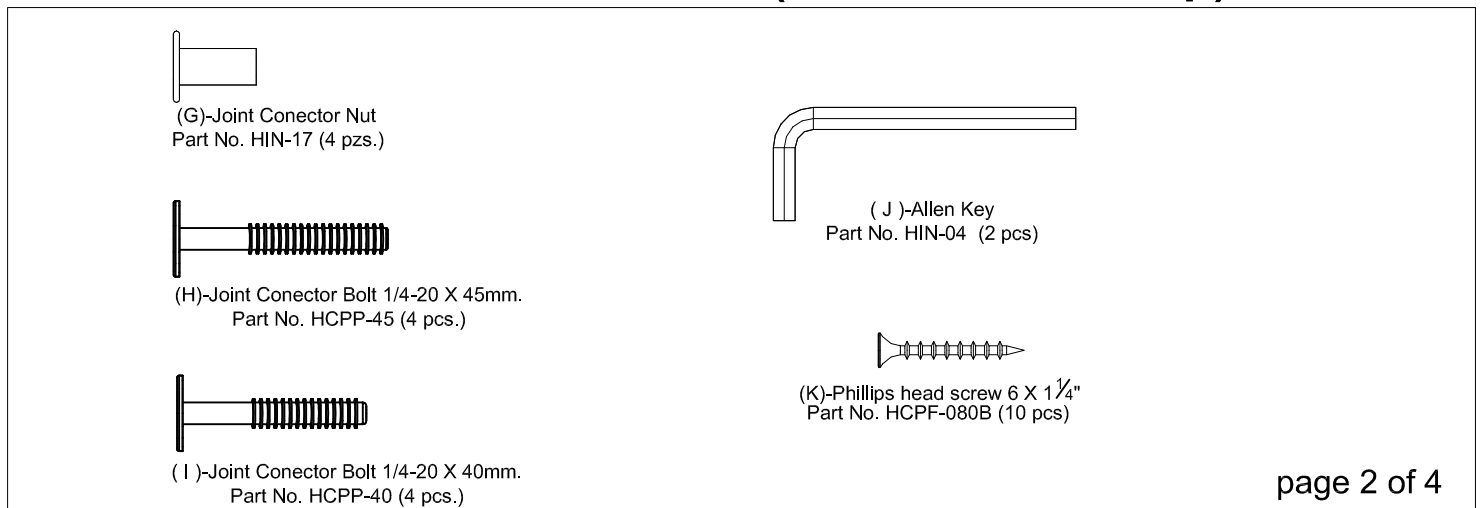
# PARTS LIST (MEL021-66 Group)



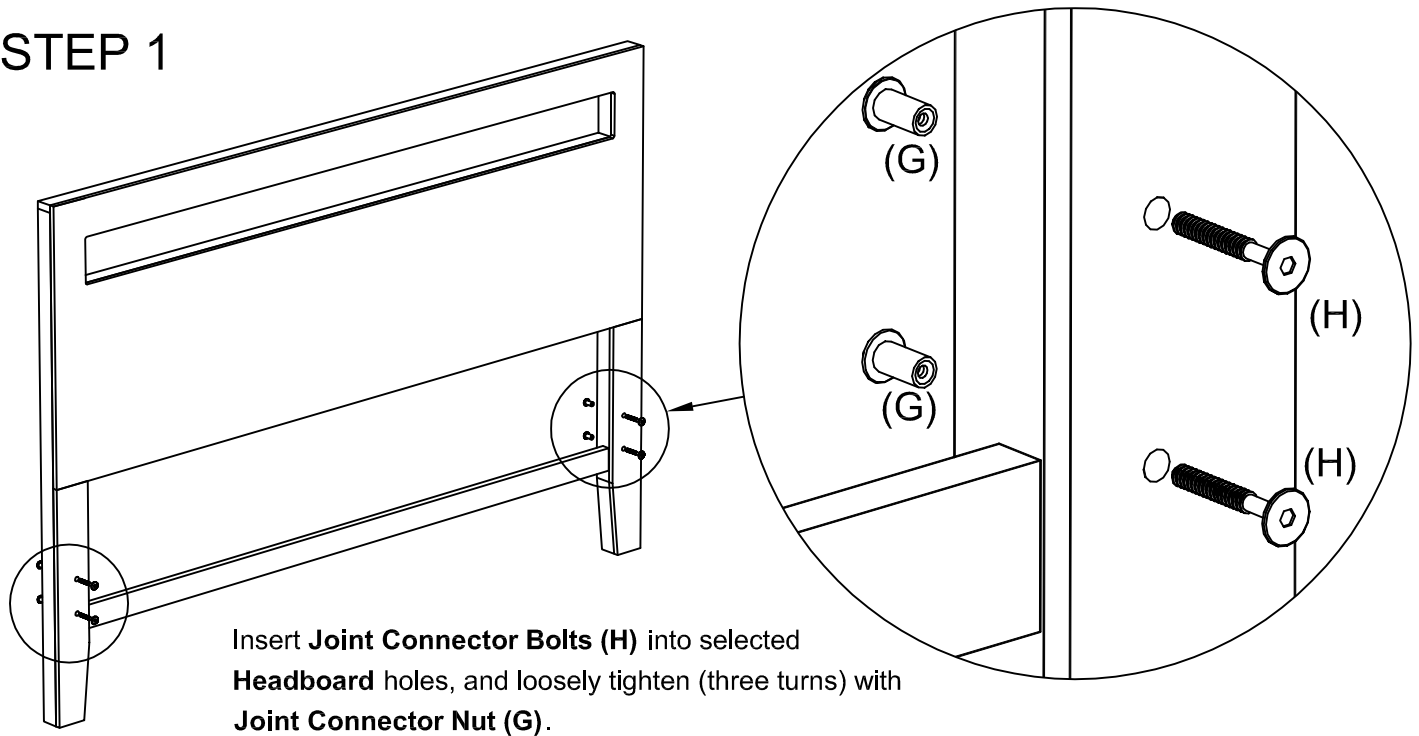
## Carton # MEL004-66



# HARDWARE LIST (MEL021-66 Group)



## STEP 1



## STEP 2

