



MAGNOLIA
HOME

BY JOANNA GAINES

ASSEMBLY INSTRUCTIONS

GROUP NO: 3000001 FRENCH DINING

ITEM NO.: 3010504Y CHAIR, EMERY 2/CTN IVORY /
BURLAP / WHEAT FINISH

Read instruction carefully prior to assembly.

Thank you for purchasing this quality product. Check carefully for small parts which may come loose during shipment. Remove all components from pack and place top down on soft surface such as carpet or cloth to prevent scratching the finish. Identify and count all parts as specified below.

It is recommended to use one person during the assembly process.

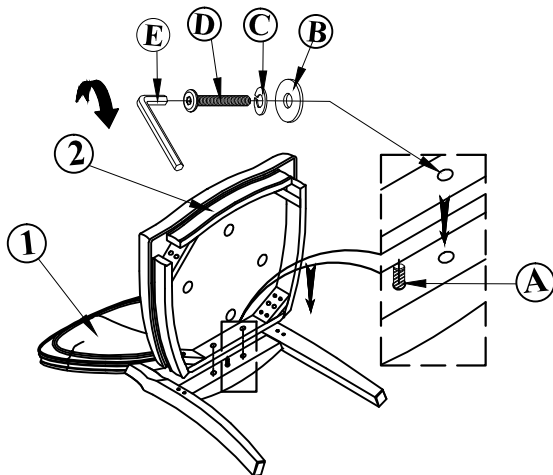
HARDWARE LIST

No.	Description	Sketch	Size	Q'TY
A	Wood Dowel		10 x 30 mm	1 Pc
B	Flat washer		5/16" x ϕ 19 x 2mm T	10 pcs
C	Spring washer		5/16" x ϕ 13 x 1.5mm T	10 pcs
D	Allen Bolt		5/16" x 13 x 45mm	2 pcs
E	Allen key		4 x 57 x 21 mm	1pc
	Straight Allen Key		4 x 80 mm	1Pc
F	Allen Bolt		5/16" x 13 x 70mm	4 pcs
G	Hex Nut		5/16" x 12 x 6 mm T	4 Pcs
H	Open Wrench		12 mm	1 Pc

PART LIST

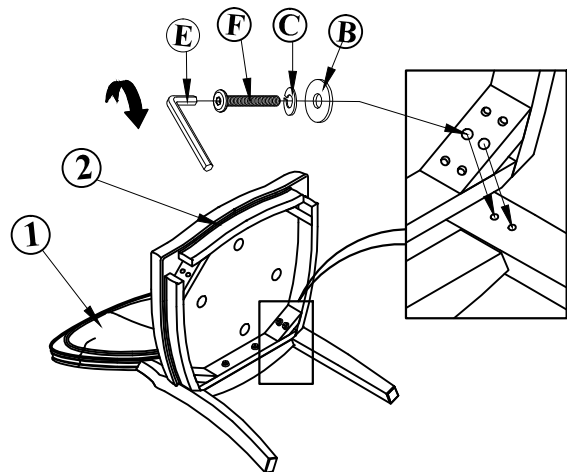
No.	Description	Sketch	Q'ty
1	CHAIR BACK		1 PC
2	SEAT CUSHION		1 PC
3	FRONT LEG		2 PCS

STEP 1:



Step1: Upside down Chair back on soft surface such as carpet or cloth. Attach Seat Cushion (2) to Chair Back (1) using Wood Dowel (A), Flat Washer (B), Spring Washer (C), Allen Bolt (D) and Allen key (E) on back rail.

STEP 2:



Step 2: Attach Seat Cushion (2) to Back Legs (1) using Flat Washer (B), Spring Washer (C), Allen Bolt (F), and Allen key (E) onto corner.



MAGNOLIA
HOME

BY JOANNA GAINES

ASSEMBLY INSTRUCTIONS

GROUP NO: 3000001 FRENCH DINING

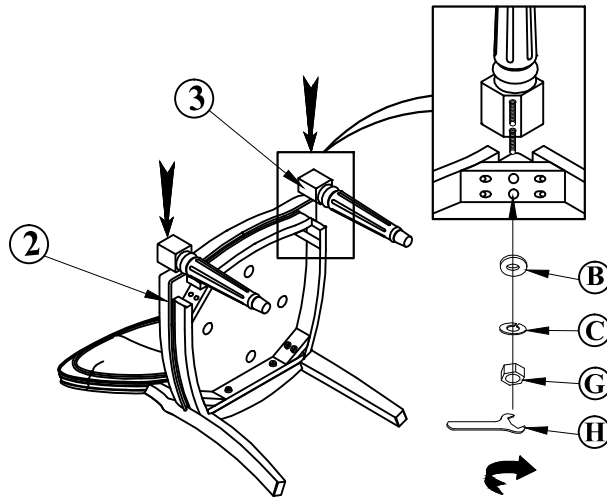
ITEM NO.: 3010504Y CHAIR, EMERY 2/CTN IVORY/
BURLAP/ WHEAT FINISH

Read instruction carefully prior to assembly.

Thank you for purchasing this quality product. Check carefully for small parts which may come loose during shipment. Remove all components from pack and place top down on soft surface such as carpet or cloth to prevent scratching the finish. Identify and count all parts as specified below.

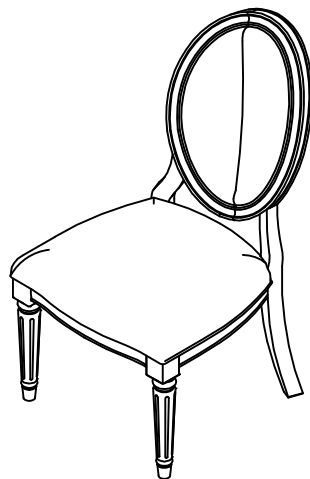
It is recommended to use one person during the assembly process.

STEP 3:



Step 3: Attach Front Legs (3) to Seat Cushion (2) using lat Washer (B), Spring Washer (C), Hex Nut (G) and Open Wrench (H).

STEP 4:



Step 4: Turn Chair on upright position.