

ASSEMBLY INSTRUCTIONS






GROUP NO.: 6000007 FARM BR

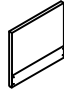
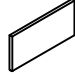


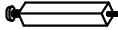
ITEM NO.: 60721215 HB, 6/0, ATLEY SLIPCOVER - COTTON BALE.
 60721235 FB, 6/0, ATLEY SLIPCOVER - COTTON BALE.
 60721225 RAILS, 6/0, ATLEY SLIPCOVER - COTTON BALE.

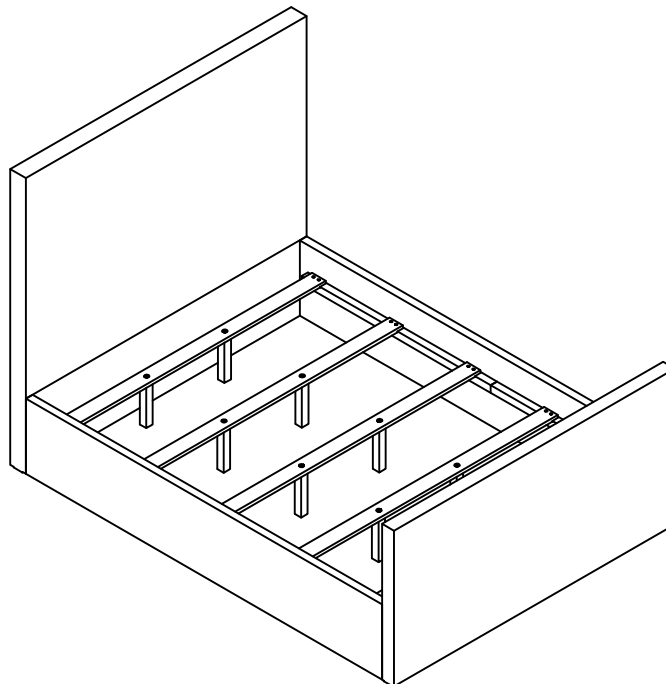
Read instructions carefully prior to assembly.

Thanks you for purchasing this quality product. Check carefully for small items with may come loose during shipment. Be sure to check all packing material carefully for small parts that may have come loose inside the carton during shipment.

It is recommended to use two persons during the assembly process.

PARTS LIST				
NO.	SKETCH	DESCRIPTION	SIZE	QTY
1		Thread Bolt	Ø5/16 "10mm"	1 PCS
2		Curve washer	Ø5/16	1 PCS
3		Spring washer	Ø5/16	1 PCS
4		Curved wrench	Ø5/16 "55mm"	1 PC
5		Screw	M4 x 30mm	20 PCS

PARTS LIST			
NO.	SKETCH	DESCRIPTION	QTY
A		Headboard	1 PC
B		Footboard	1 PC
C		Side rail	2 PCS
D		Slat	5 PCS
E		Support leg	10 PCS



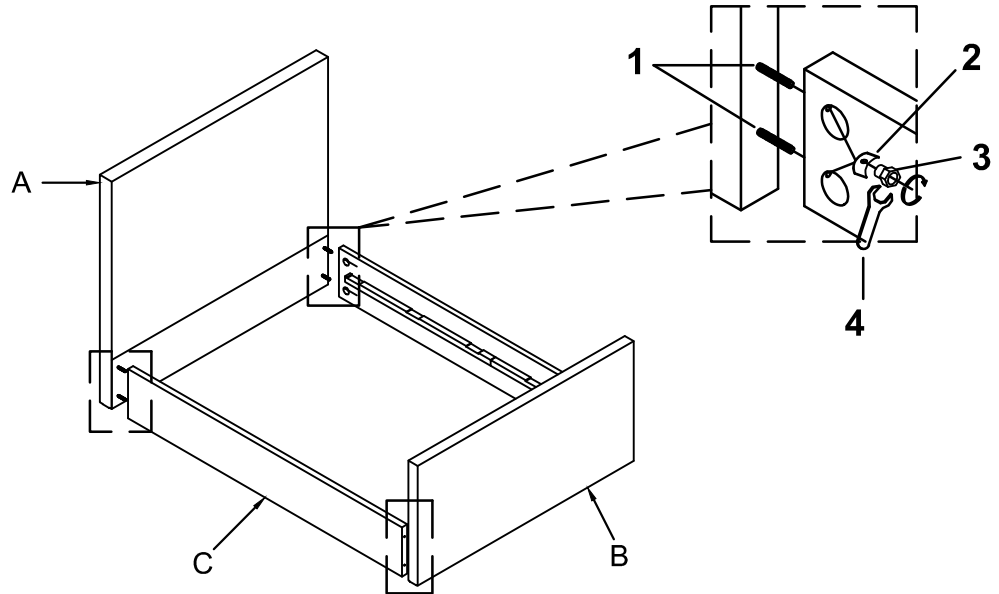
ASSEMBLY INSTRUCTIONS

GROUP NO.: 6000007 FARM BR

ITEM NO.: 60721215 HB, 6/0, ATLEY SLIPCOVER - COTTON BALE.
60721235 FB, 6/0, ATLEY SLIPCOVER - COTTON BALE.
60721225 RAILS, 6/0, ATLEY SLIPCOVER - COTTON BALE.

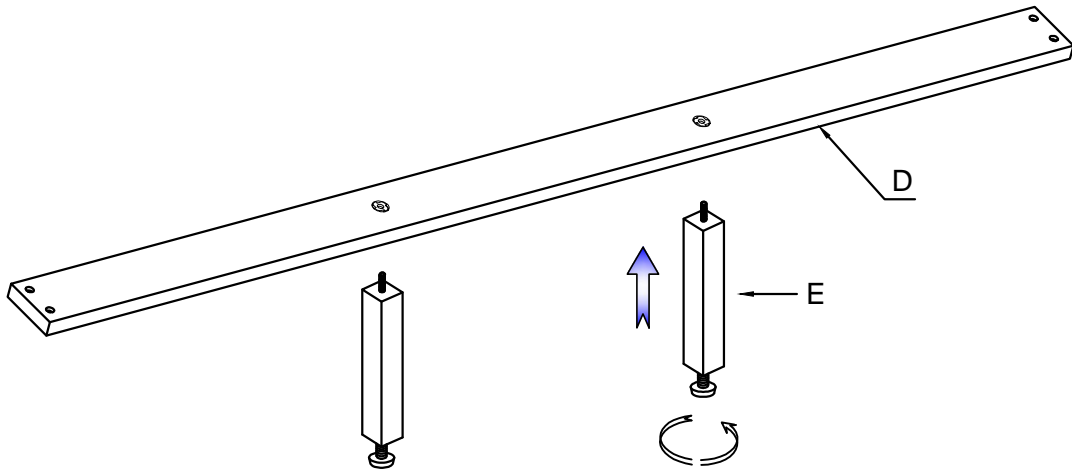
Step 1:

Attach Side rail (C) to Headboard (A) and Footboard (B) using Thread Bolt (1), Curve Washer (2), Spring washer (3), by Curved Wrench (4).



Step 2:

Attach Support legs (E) to Slats (D) by turning clockwise.



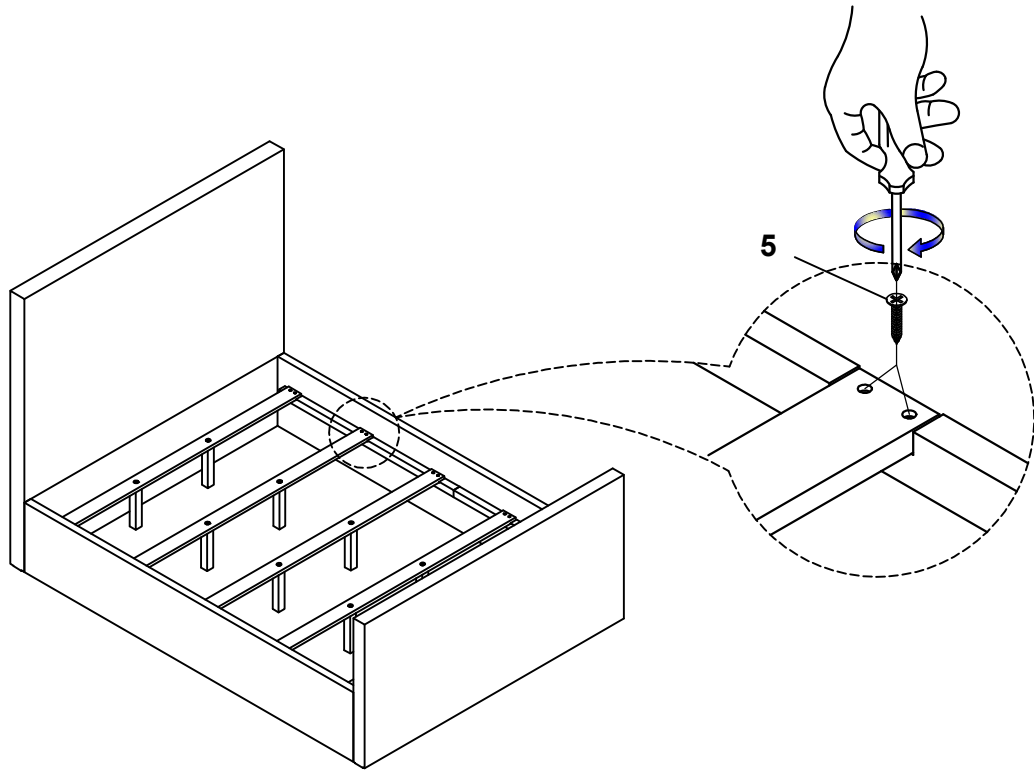
ASSEMBLY INSTRUCTIONS

GROUP NO.: 6000007 FARM BR

ITEM NO.: 60721215 HB, 6/0, ATLEY SLIPCOVER - COTTON BALE.
60721235 FB, 6/0, ATLEY SLIPCOVER - COTTON BALE.
60721225 RAILS, 6/0, ATLEY SLIPCOVER - COTTON BALE.

Step 3:

Attach Slats (D) to Side rails (C) by using Screw driver (not including) tighten Screws (5).



Step 4:

Tighten all bolts and screws.

