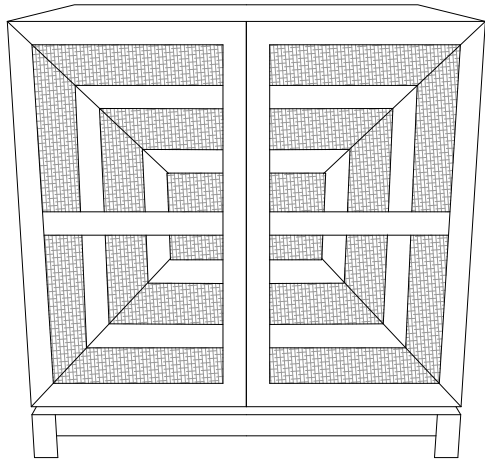




LIVING SPACES

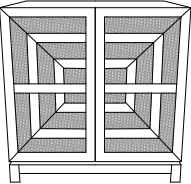
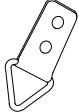
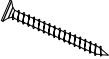


# MAHOGANY + CANE CABINET



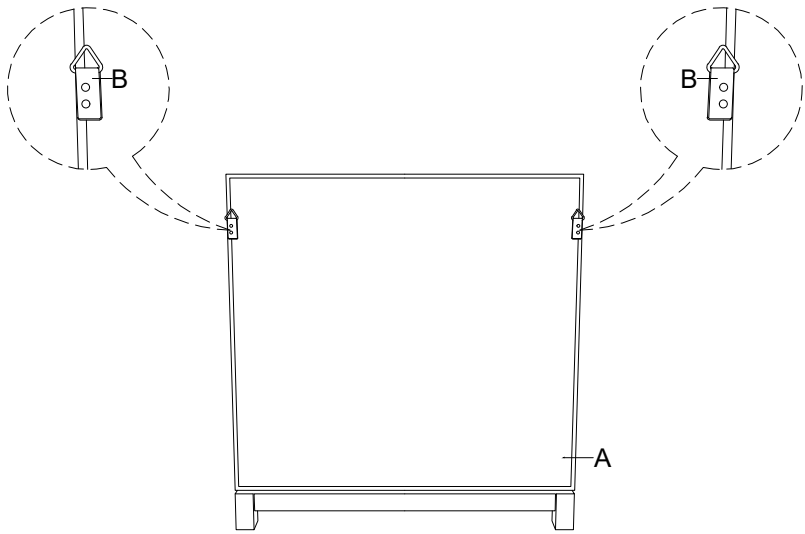
PM-CL39-49CAB / 256535  
MAHOGANY + CANE CABINET



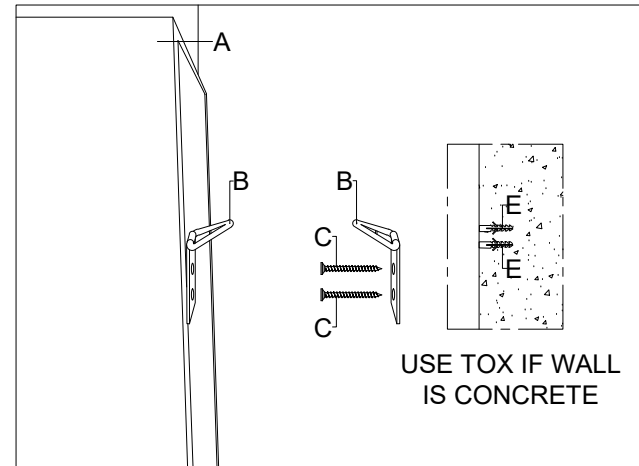
## PART LIST

A	PM-CL39-49CAB-A	 <p>CABINET</p> <p>x1</p>
B	PM-CL39-49CAB-B	 <p>TRIANGLE METAL HANGER</p> <p>x2</p>
C	PM-CL39-49CAB-C	 <p>BLACK SCREW 1 1/4" X 8mmØ</p> <p>x4</p>
D	PM-CL39-49CAB-D	 <p>BLACK CABLE TIE</p> <p>x2</p>
E	PM-CL39-49CAB-E	 <p>TOX (IF WALL IS CONCRETE)</p> <p>x4</p>

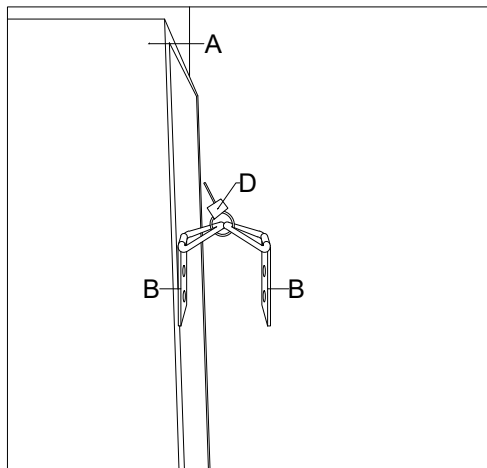
1



2



3



4

