



MAGNOLIA  
HOME

BY JOANNA GAINES

# ASSEMBLY INSTRUCTIONS

GROUP NO : 40000007

ITEM NO.:

4070401T - HEAD/FOOTBOARD, 5/0 TRELLIS - KETTLE

4070402T - RAILS W/SLATS 5/0 TRELLIS - KETTLE

4070411T - HEAD/FOOTBOARD 6/6 TRELLIS - KETTLE

4070412T - RAILS W/SLATS 6/6 TRELLIS - KETTLE






4070421T - HEAD/FOOTBOARD 6/0 TRELLIS - KETTLE

4070422T - RAILS W/SLATS 6/0 TRELLIS - KETTLE

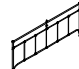
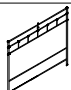
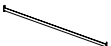



Read instructions carefully prior to assembly.

Thank you for purchasing this quality product. Check carefully for small parts which may have come loose during shipment. Remove all components from pack and place table top upside down on soft surface such as carpet or cloth to prevent scratching. Identify and count all parts as specified below.

## Hardware List

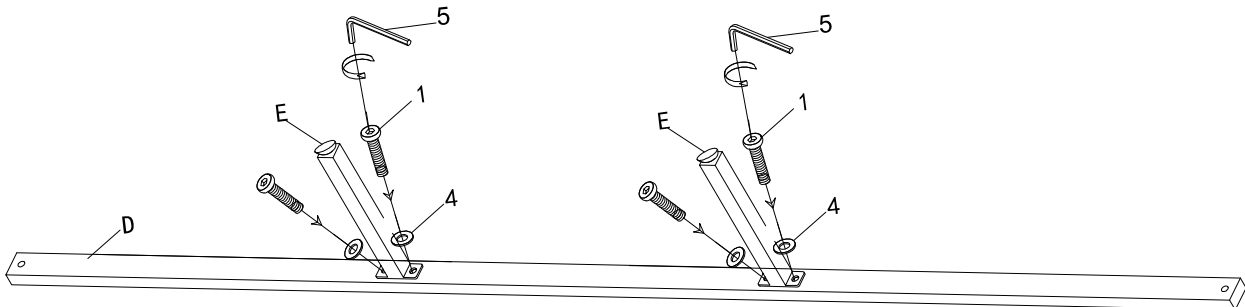
NO.	DESCRIPTION	DRAWING	SIZE	QTY
1	Allen Bolt		1/4"×16mm	24pcs
2	Allen Bolt		1/4"×28mm	8pcs
3	Spring Washer		φ1/4"×φ11×1.2	8pcs
4	Flat Washer		φ1/4"×φ16×1	32pcs
5	Allen Key		M4x58x23	1pc

## Parts List

NO.	DESCRIPTION	DRAWING	QTY
A	Footboard		1pc
B	Headboard		1pc
C	Side Rail		2pcs
D	Slat		4pcs
E	Support leg		8pcs
F	Stamping part		4pcs

### Step 1

Attach the support Legs (E) to Slat (D) using Allen bolt (1) and Flat washer (4) by Allen key (5).



PAGE 1 OF 2

**NOTE: DO NOT FULL TIGHTEN BOLTS UNTIL PARTS COMPLETE ASSEMBLED**

**Cleaning instructions: Clean using soft cloth**

**Made in Vietnam**



MAGNOLIA  
HOME

BY JOANNA GAINES

# ASSEMBLY INSTRUCTIONS

GROUP NO : 40000007

ITEM NO.:

4070401T - HEAD/FOOTBOARD, 5/0 TRELLIS - KETTLE

4070402T - RAILS W/SLATS 5/0 TRELLIS - KETTLE

4070411T - HEAD/FOOTBOARD 6/6 TRELLIS - KETTLE

4070412T - RAILS W/SLATS 6/6 TRELLIS - KETTLE

4070421T - HEAD/FOOTBOARD 6/0 TRELLIS - KETTLE

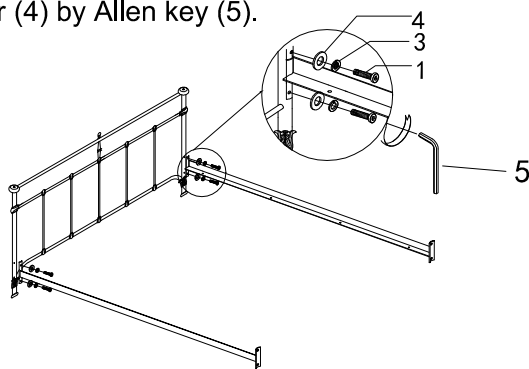
4070422T - RAILS W/SLATS 6/0 TRELLIS - KETTLE

Read instructions carefully prior to assembly.

Thank you for purchasing this quality product. Check carefully for small parts which may have come loose during shipment. Remove all components from pack and place table top upside down on soft surface such as carpet or cloth to prevent scratching. Identify and count all parts as specified below.

## Step 2

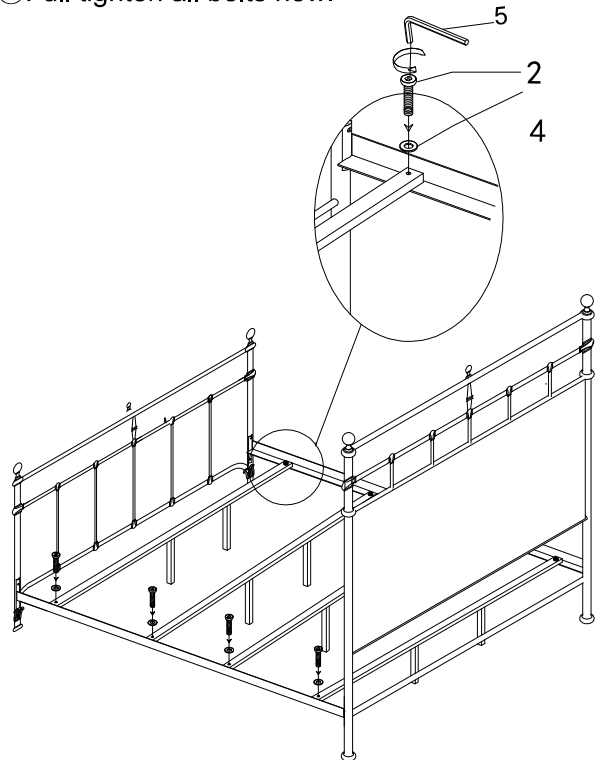
① Attach Side rail (C) to the F/B (A) using Allen bolt (1), Spring washer (3) and Flat washer (4) by Allen key (5).



## Step 4

① Attach the Slats (D) to Side rails (C) using Allen bolt (2), and Flat washer (4) by Allen key (5);

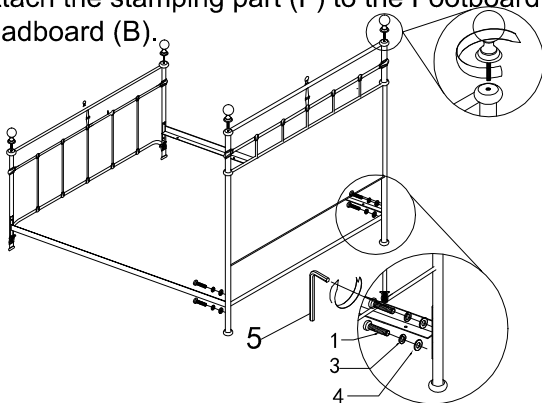
② Full tighten all bolts now.



## Step 3

① Attach Side rail (C) to the H/B (B) using Allen bolt (1), Spring washer (3) and Flat washer (4) by Allen key (5).

② Attach the stamping part (F) to the Footboard (A) & Headboard (B).



PAGE 2 OF 2

NOTE: DO NOT FULL TIGHTEN BOLTS UNTIL PARTS COMPLETE ASSEMBLED

Cleaning instructions: Clean using soft cloth

Made in Vietnam