



MAGNOLIA
HOME

BY JOANNA GAINES

ASSEMBLY INSTRUCTION

GROUP NO.: 50000007 BOHO BEDROOM

ITEM NO. : 5070541N : HEADBOARDB 4/6 STACKED SLAT - BARN DOOR

5070543N : FOOTBOARDB 4/6 STACKED SLAT - BARN DOOR

5070504N : RAILS 4/6 STACKED SLAT - BARN DOOR

Read instruction carefully prior to assembly.

Thank you for purchasing this quality product. Check carefully for small parts which may come loose during shipment. Remove all components from pack and place top down on soft surface such as carpet or cloth to prevent scratching the finish. Identify and count all parts as specified below.

It is recommended to use two or more persons during the assembly process.

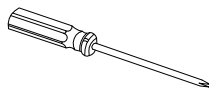
HARDWARE LIST:

No.	Description	Sketch	Size	Qty
A	Thread bolt		$\phi 5/16$ " x 80mm	8 pcs
B	Curve Washer		8 x 25mm	8 pcs
C	Spring Washer		$\phi 5/16$ " x 13mm	8 pcs
D	Screw		4 x 38mm	8 pcs
E	Allen Bolt		$\phi 1/4$ " x 25mm	4 pcs
F	Flat Washer		$\phi 1/4$ " x 19mm	4 pcs
G	Spring Washer		$\phi 1/4$ " x 10mm	4 pcs
H	Allen Key		4 mm	1 pc
I	Hex Nut		12 mm	8 pcs
K	Open Wrench		12 mm	1 pc

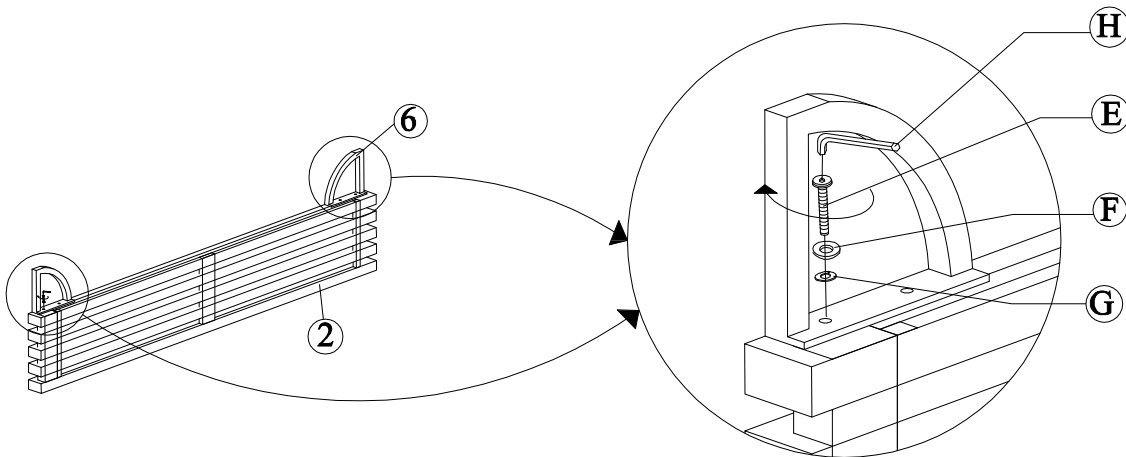
PARTS LIST:

No.	Description	Sketch	Qty
1	HEADBOARD		1 pc
2	FOOTBOARD		1 pc
3	SIDERAIL		2 pcs
4	SLAT		4 pcs
5	SLAT SUPPORT		8 pcs
6	METAL LEG		2 pcs

Tool Required :Phillips Head Screw
Driver (Not Provided)



Step 1:



Step 1: Upside down Footboard (2) on soft surface such as carpet or cloth then. Attach metal Leg (6) to Footboard (2) using Allen Bolt (E), Flat Washer (F), Spring Washer (G) and secure with Allen Key (H).



MAGNOLIA
HOME

BY JOANNA GAINES

ASSEMBLY INSTRUCTION

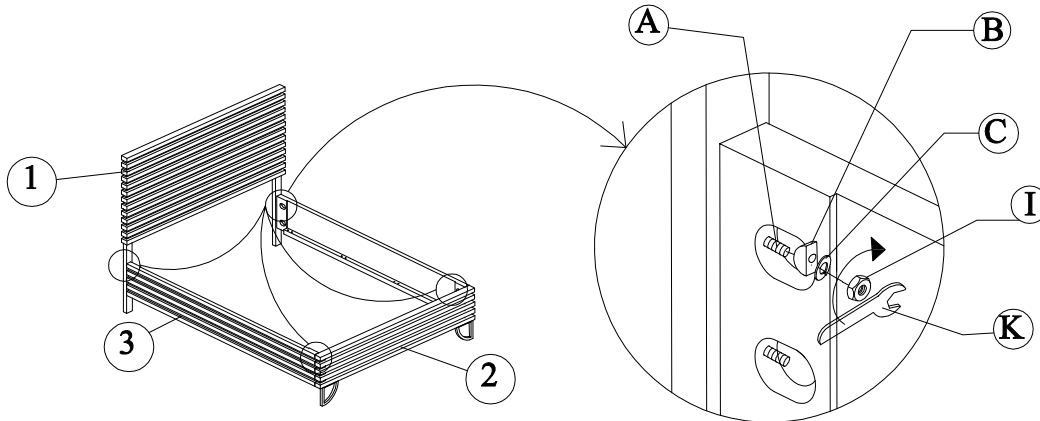
GROUP NO.: 50000007 BOHO BEDROOM

ITEM NO. : 5070541N : HEADBOARDB 4/6 STACKED SLAT - BARN DOOR

5070543N : FOOTBOARDB 4/6 STACKED SLAT - BARN DOOR

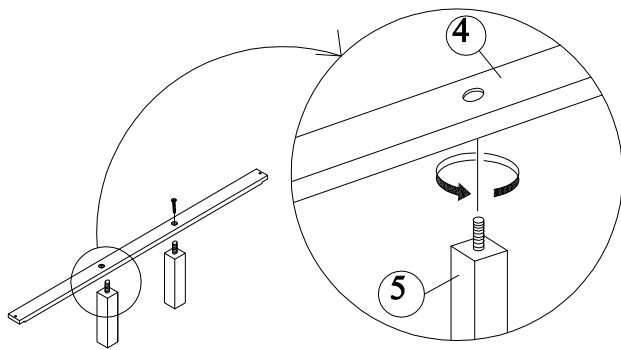
5070504N : RAILS 4/6 STACKED SLAT - BARN DOOR

Step 2:



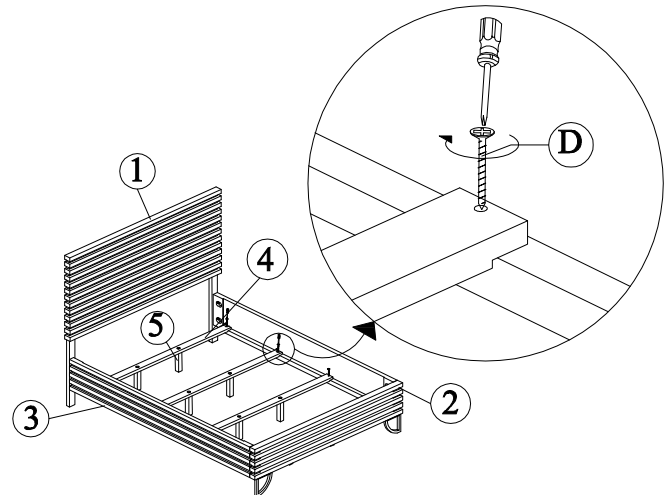
Step 2: Attach Side Rail (3) to Headboard (1) and Footboard (2), using Thread Bolt (A), Curve Washer (B), Spring Washer (C), Hex Nut (I) and secure with Open Wrench (K).

Step 3:



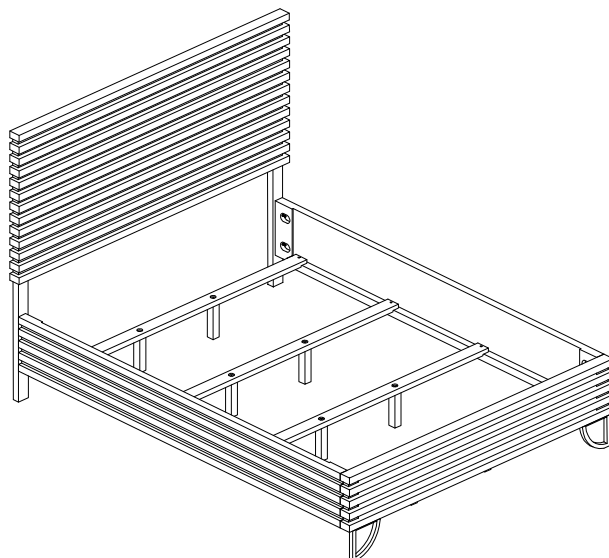
Step 3: Follow the illustration to fix the Slat support (5) to Slats (4).

Step 4:



Step 4: Attach Slat (4) to side Rail (3) using Screw (D) and secure with Screw driver (not provided)

Step 5:



Step 5: Bed Assembled