



MAGNOLIA
HOME
BY JOANNA GAINES

ASSEMBLY INSTRUCTIONS

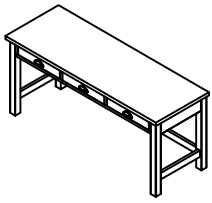
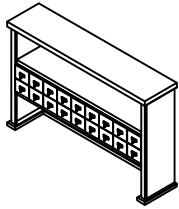
GROUP NO: 1000002 INDUSTRIAL OCC


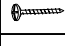

ITEM NO.: 1020420DB HUTCH,POSTMAN'S DESK BENCH/CHI

1020430DB DESK,POSTMAN'S 3 DRAWER-BEN/CH

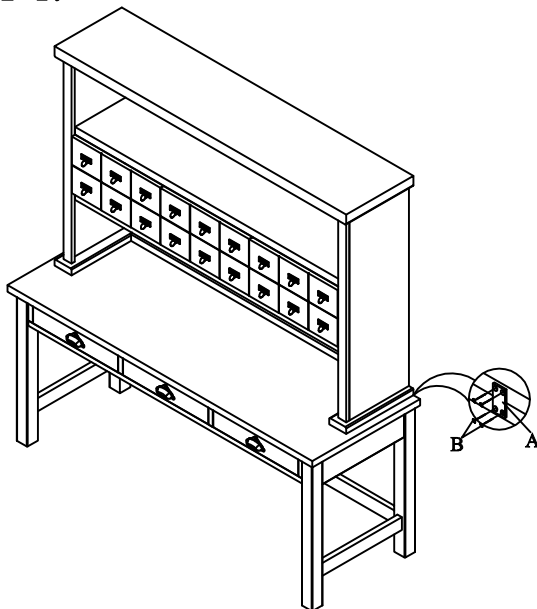
Read instruction carefully prior for assembly

Thank you for purchasing this product . Be sure to check all packing material carefully for small parts that may have come loose inside the carton during shipment .

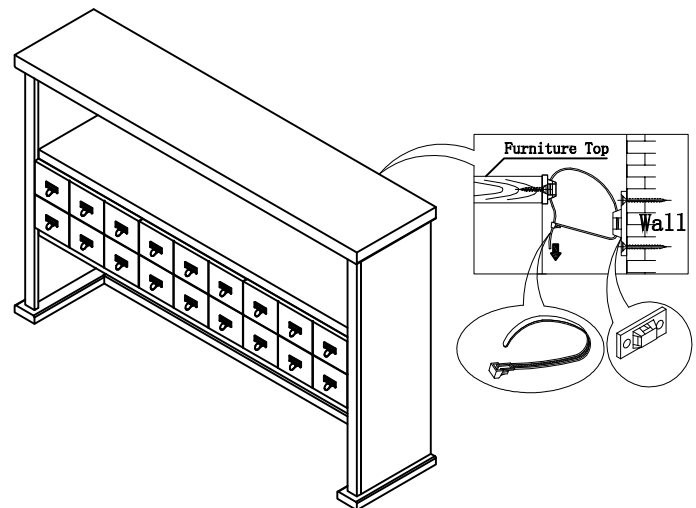
PARTS LIST:			
No.	Description		Quantity
P1	Desk		1 SET
P2	Hutch		1 SET

HARDWARE LIST:				
No.	Description	Sketch	Size	Quantity
A	Mending Plate		1 1/2" x 1" x 1/8"	2 PCS
B	Screw		3/8"Ø x 1 3/8"	8 PCS
C	TIPPING RESTRAINT			1 Set

STEP 1:



STEP 2:



Step 1: Attach Desk (P1) to Hutch (P2), using Mending plate (A), Screw (B). Tighten screws by turning clockwise until secure.

Step 2: Attach tipping restraint to wall. The tipping restraint must be attached at back Hutch, above and on the right or left.



MAGNOLIA
HOME
BY IOANNA GAINES

ASSEMBLY INSTRUCTIONS

GROUP NO: 1000002 INDUSTRIAL OCC

ITEM NO.: 1020430DB DESK,POSTMAN'S 3 DRAWER-BEN/CH

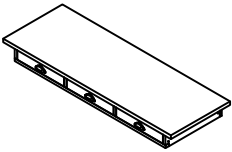
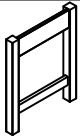
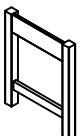
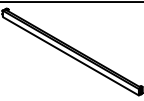
Read instruction carefully prior for assembly

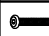

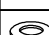
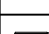

Thank you for purchasing this product . Be sure to check all packing material carefully for small parts that may have come loose inside the carton during shipment .

Remove all components from pack and place on soft surface to prevent scratch during assembly.

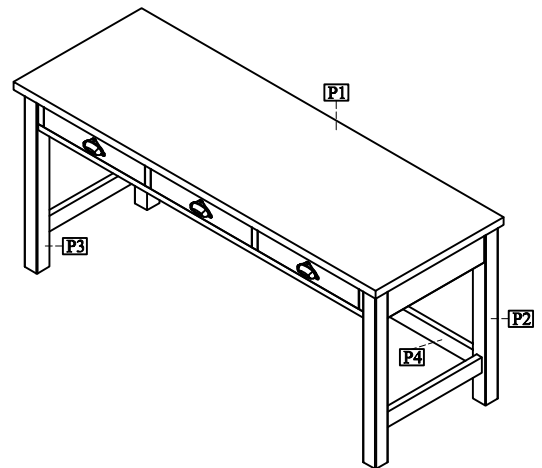
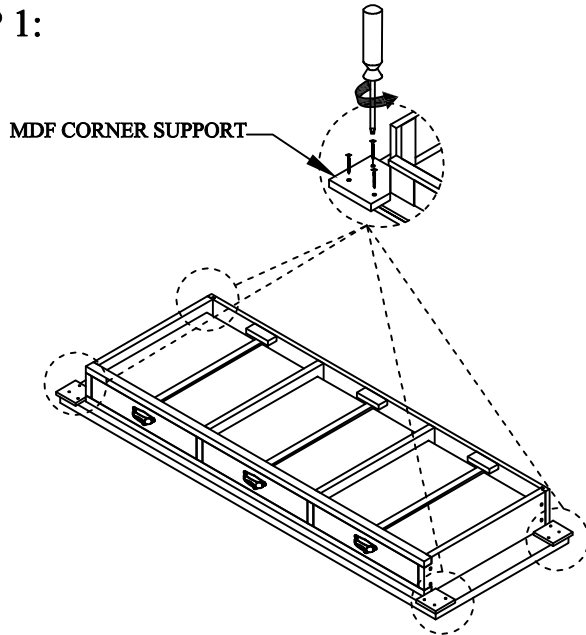
Identify and count all parts as specified below

It is recommended to use two people during the assembly process.

PARTS LIST:			
No.	Description		Quantity
P1	Desk Top		1PC
P2	Right Leg Frame		1PCS
P3	Left Leg Frame		1PCS
P4	Stretcher		1PCS

HARDWARE LIST:				
No.	Description	Sketch	Size	Quantity
A	Allen Bolt		$\frac{5}{16}$ " \varnothing x $1\frac{1}{2}$ "	10 PCS
B	Spring washer		$\frac{5}{16}$ " \varnothing x $\frac{1}{16}$ "	10 PCS
C	Flat washer		$\frac{5}{16}$ " \varnothing x $\frac{1}{16}$ "	10 PCS
D	Allen Key		$\frac{3}{16}$ " \varnothing x $4\frac{3}{16}$ "L x 1"	1 PC
E	TIPPING RESTRAINT			1 Set

STEP 1:



Step 1: Turn Table top upside down and place on a soft surface such as carpet or cloth, then remove the wooden corner protection blocks from the table top using a Phillip's head screw driver (not included)



MAGNOLIA
HOME
BY IOANNA GAINES

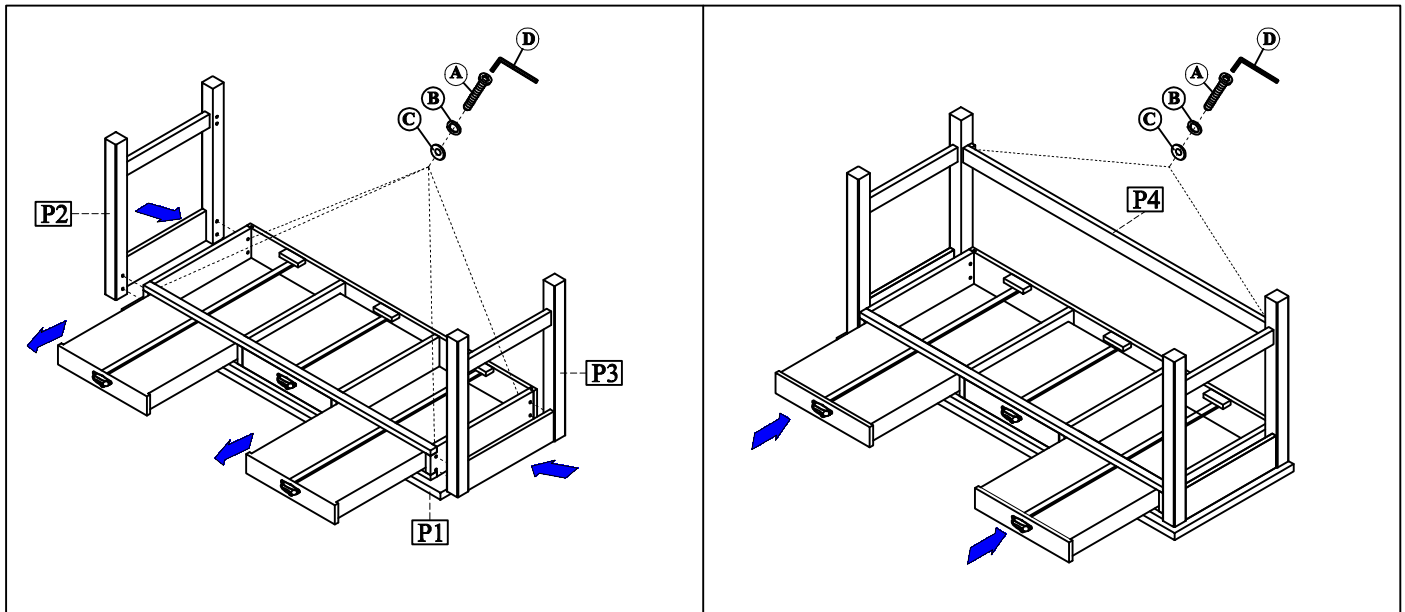
ASSEMBLY INSTRUCTIONS

GROUP NO: 1000002 INDUSTRIAL OCC

ITEM NO.: 1020430DB DESK,POSTMAN'S 3 DRAWER-BEN/CH

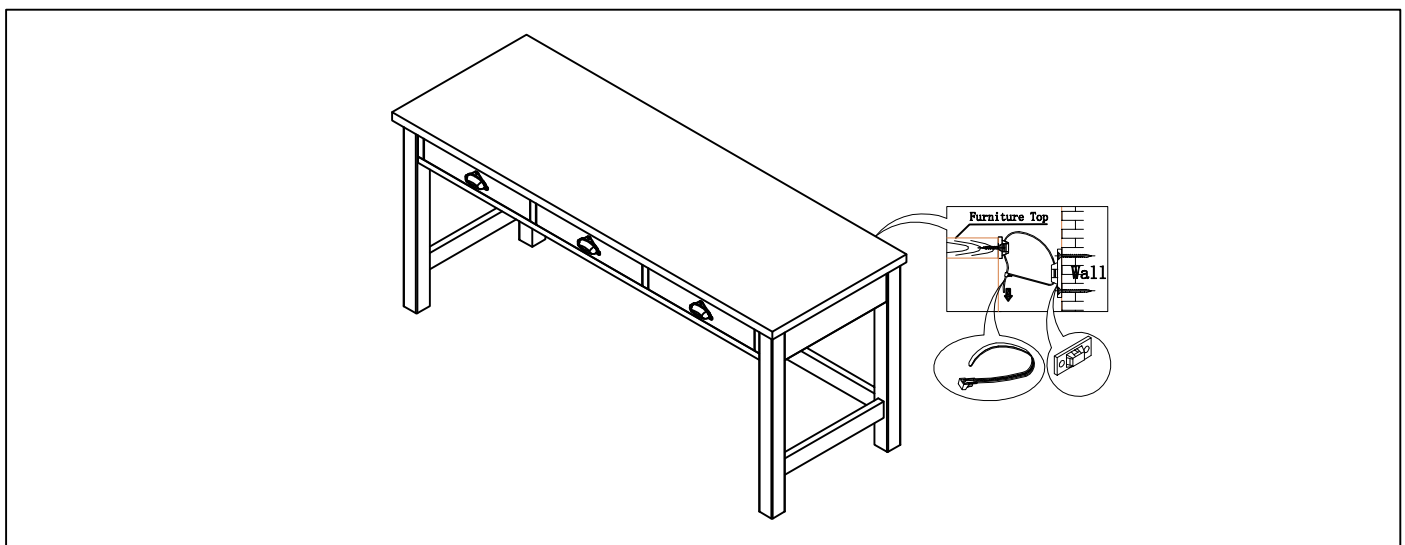
Read instruction carefully prior for assembly

Thank you for purchasing this product . Be sure to check all packing material carefully for small parts that may have come loose inside the carton during shipment .



Step 2: Upside down Desk Top (P1) on soft surface such as carpet or cloth. Open drawers then Attach Leg Frame (P2), (P3) to Table Top (P1) using Flat Washer (C), Spring washer (B), Allen bolt (A) by using Allen key (D). Do not fully tighten.

Step 3: Attach Stretcher (P4) to Leg Frame (P2), (P3) using Flat Washer (C), Spring washer (B), Allen bolt (A). Fully tighten all bolt with Allen key (D), Close Drawers.



Step 4: Attach tipping restraint to wall. The tipping restraint must be attached at back Desk top above and on the right or left.